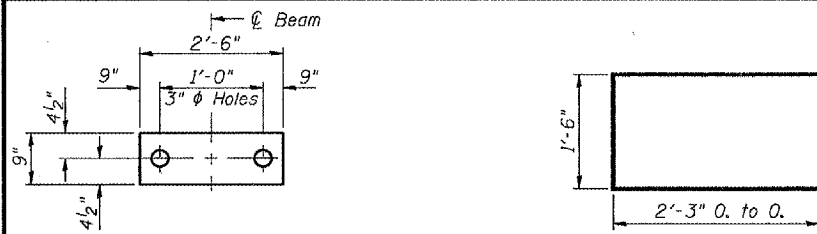


STATE OF ILLINOIS
DEPARTMENT OF TRANSPORTATION

ROUTE NO.	SECTION	COUNTY	TOTAL SHEETS	SHEET NO.
		Schuyler	9	8
FED. ROAD DIST. NO. 7		ILLINOIS	FED. AID PROJECT	

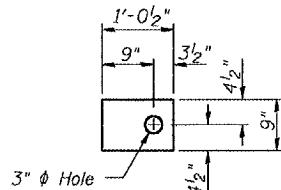
SHEET NO. 2
3 SHEETS

Contract Number: T2A21

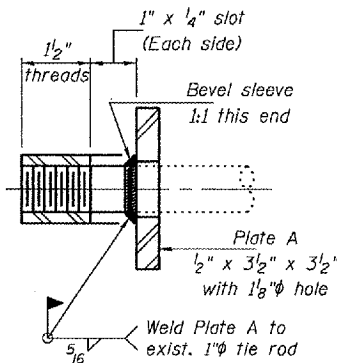


FABRIC BEARING PAD
(Omit holes for Expansion Pads)

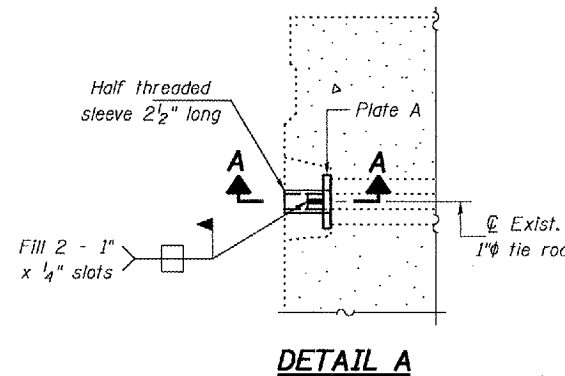
BAR U



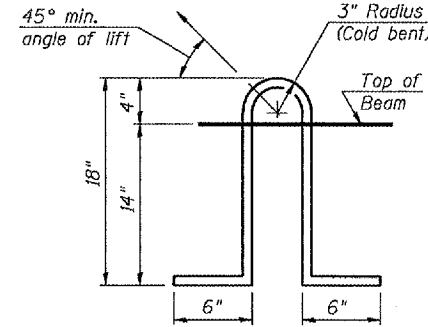
FABRIC ADJUSTING SHIM
(Omit hole for Expansion Shims)



SECTION A-A
(4 Required)



DETAIL A



LIFTING LOOP DETAIL

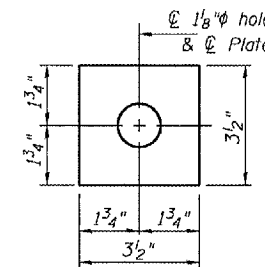
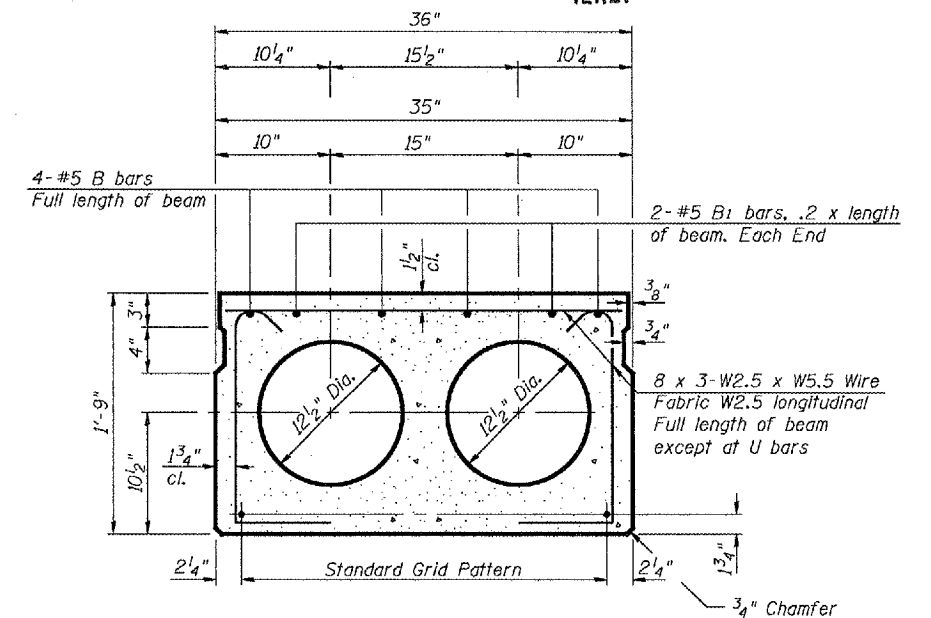


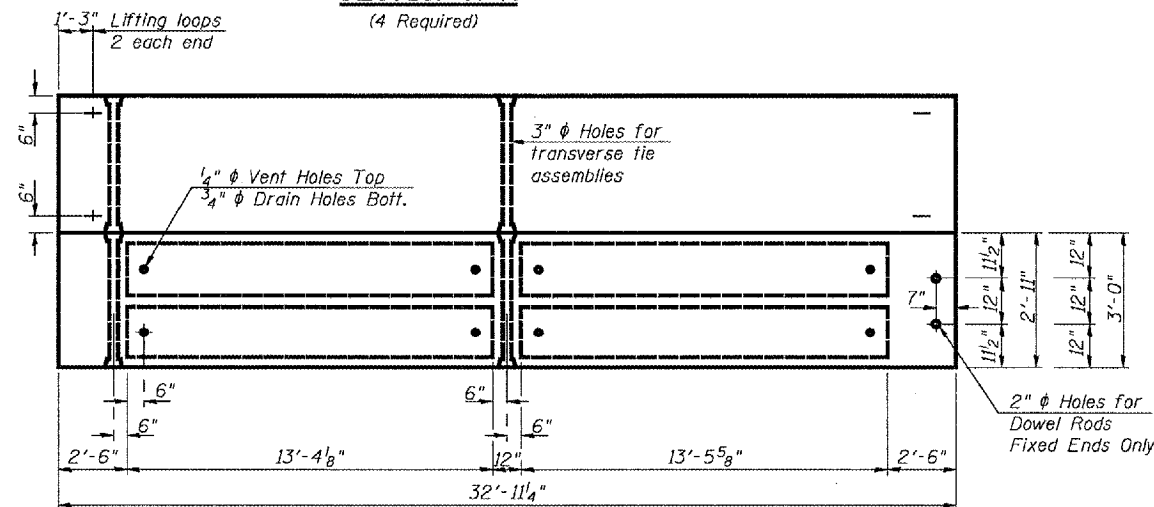
PLATE A
(4 Required)



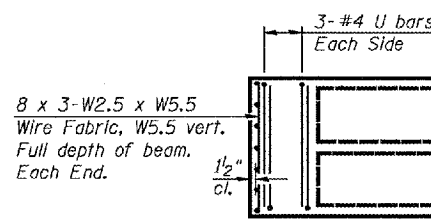
TYPICAL SECTION

1/2" ϕ Strands, Each Strand Stressed to 30,900 Lbs.
6-Strands 1 3/4" up

Note:
Place strands symmetrically about ϕ of beam.

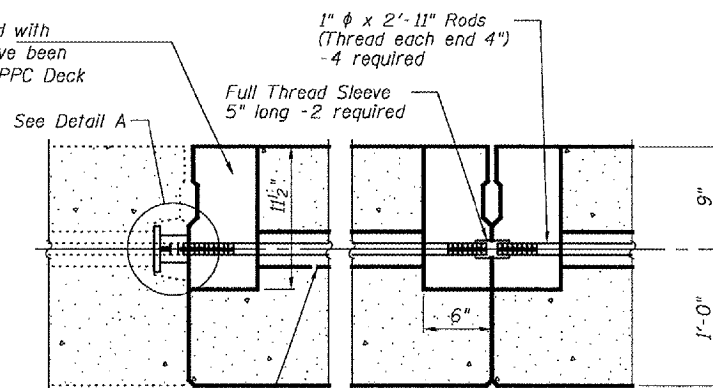


PLAN

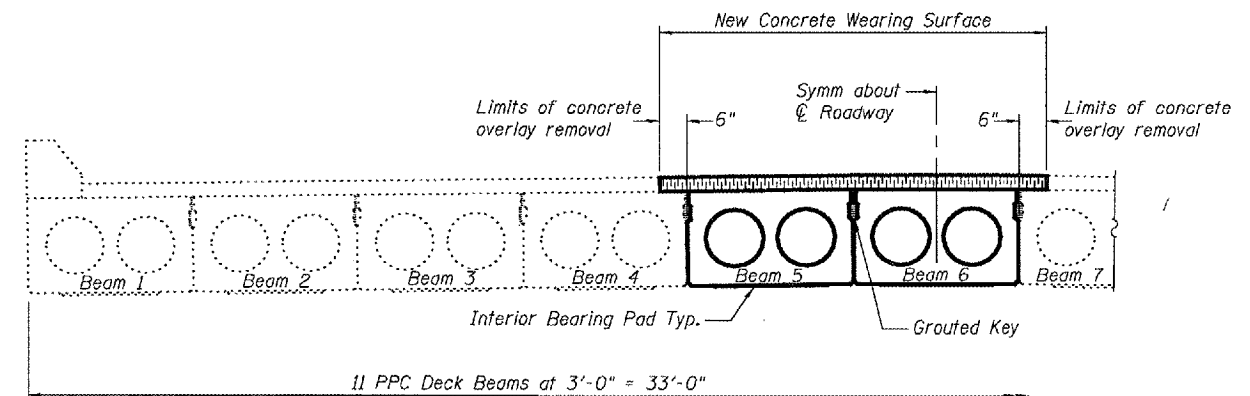


END PLAN

6" x 6" x 11 1/2" Blockout to be filled with Class BD Concrete after Beams have been installed. Quantity included with "PPC Deck Beams (21" Depth)". (8 Required)



TYPICAL TRANSVERSE TIE ASSEMBLY



HALF CROSS SECTION
(Looking North)

NOTES

Prestressing steel shall be uncoated high strength, low relaxation 7-wire strand, Grade 270. The nominal diameter shall be 1/2" and the nominal cross-sectional area shall be 0.153 sq. in. Lifting loops shall be 2-1/2" ϕ -270 ksi strands, as shown. The 1" ϕ rods in the transverse tie assembly shall be tightened to a snug fit and the threads set. Pockets that receive transverse tie bar on outside shall be filled with grout after transverse tie assembly is in place. Non prestressing steel shall conform to AASHTO M31 or M322 Grade 60. The bearing seat surfaces shall be adjusted by shimming to assure firm and even bearing. Two 1/8" fabric adjusting shims of the dimensions shown shall be provided for each bearing. Keyway surfaces shall be cleaned to remove form oil or other bond breaking material prior to shipment of the beams. Cleaning shall be done by sandblasting the keyway areas between top of the beam and the bottom edge of the key. Corrosion Inhibitor, as covered in the Special Provisions, shall be used in the concrete for precast prestressed concrete deck beams. Required Release Strength, f'ci, shall be 4000 p.s.i.

BILL OF MATERIAL

Bar	No.	Size	Length	Shape
Precast Prestressed Conc. Deck Bms.			Sq. Ft.	198

BEAM DETAILS
IL 101
SCHUYLER COUNTY
SN 085-0016

DESIGNED	V.H.V.
CHECKED	A.T.H.
DRAWN	Drew Christopher
CHECKED	V.H.V. A.T.H.

January 13, 2006
EXAMINED *John A. Morris*
PASSED *Ralph E. Anderson*

PD-3-S 10-22-04