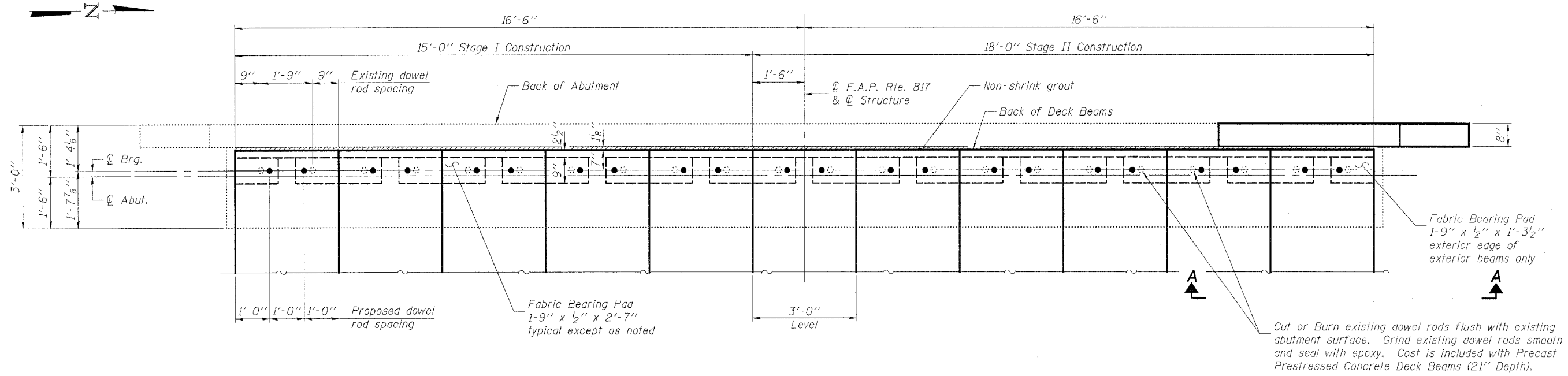


STATE OF ILLINOIS
DEPARTMENT OF TRANSPORTATION

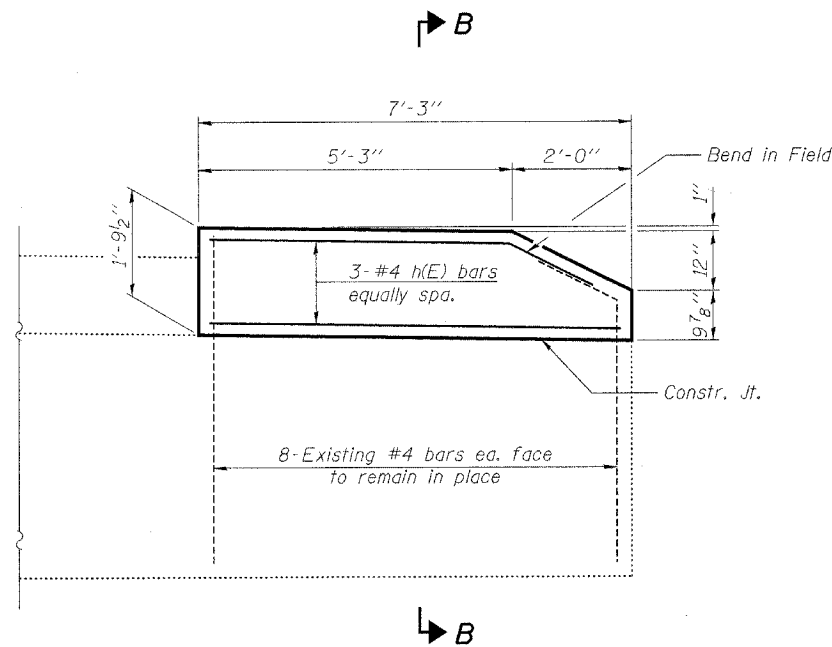
ROUTE NO.	SECTION	COUNTY	TOTAL SHEETS	SHEET NO.
F.A.P. 817	106BR-1	WASHINGTON	18	9
FED. ROAD DIST. NO. 7	ILLINOIS	FED. AID PROJECT		

14 SHEETS



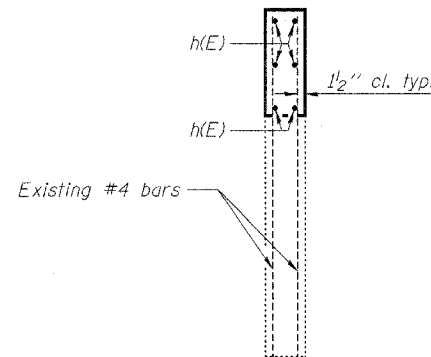
PLAN

(Bituminous concrete surface course not shown)



VIEW A-A

(Deck beams, bituminous concrete surface course not shown)



SECTION B-B

Notes:
Concrete Structures shown are to be poured before Precast Prestressed Concrete Deck Beams are in place.
For Abutment Repair and Concrete Removal details see sheet 11 of 14.

BILL OF MATERIAL

Bar	No.	Size	Length	Shape
h(E)	6	#4	7'-0"	
Reinforcement Bars, Epoxy Coated			Pound	30
Concrete Structures			Cu. Yd.	0.3

Reinforcement bars designated (E) shall be epoxy coated.

DESIGNED	EML
CHECKED	NJM
DRAWN	EML
CHECKED	NJM

HORNER & SHIFRIN, INC.
ENGINEERS ■ ARCHITECTS ■ PLANNERS

WEST ABUTMENT
F.A.P. ROUTE 817 - SECTION 106BR-1
WASHINGTON COUNTY
STATION 690+00.00
STRUCTURE NO. 095-0028