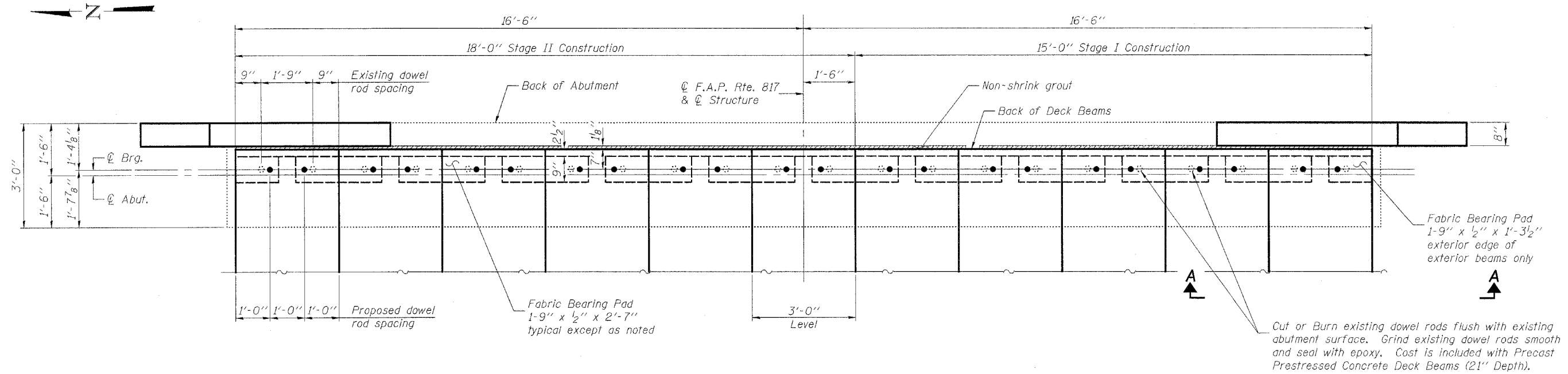


STATE OF ILLINOIS  
DEPARTMENT OF TRANSPORTATION

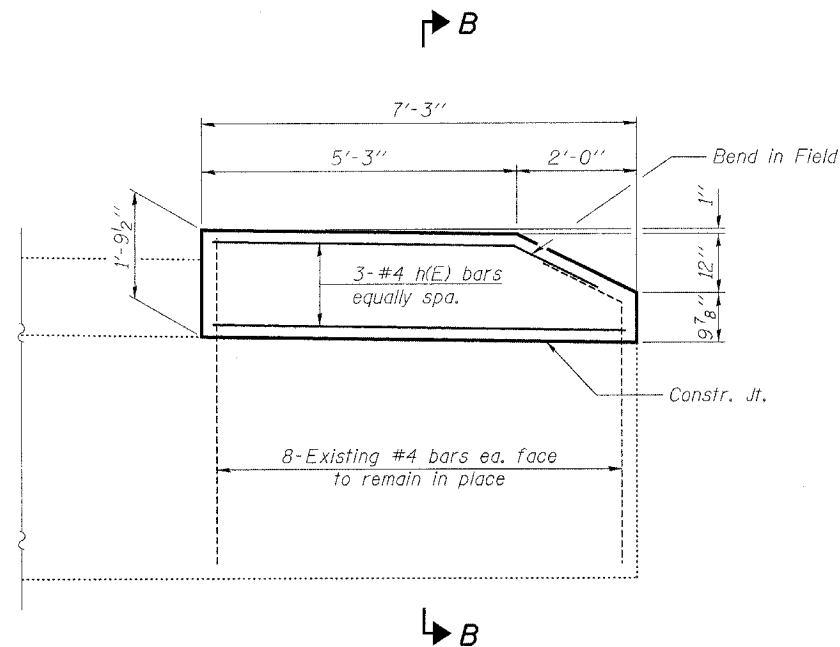
ROUTE NO.	SECTION	COUNTY	TOTAL SHEETS	SHEET NO.
F.A.P. 817	106BR-1	WASHINGTON	19	10
FED. ROAD DIST. NO. 7	ILLINOIS	FED. AID PROJECT		

SHEET NO. 10  
14 SHEETS



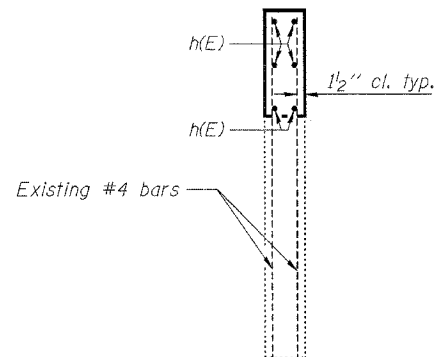
Cut or Burn existing dowel rods flush with existing abutment surface. Grind existing dowel rods smooth and seal with epoxy. Cost is included with Precast Prestressed Concrete Deck Beams (21" Depth).

**PLAN**  
(Bituminous concrete surface course not shown)



**VIEW A-A**

(Deck beams, bituminous concrete surface course not shown. South side shown, North side similar)



**SECTION B-B**

Notes:  
Concrete Structures shown are to be poured before Precast Prestressed Concrete Deck Beams are in place.  
For Abutment Repair and Concrete Removal details see sheet 11 of 14.

**BILL OF MATERIAL**

Bar	No.	Size	Length	Shape
h(E)	12	#4	7'-0"	—
Reinforcement Bars, Epoxy Coated			Pound	60
Concrete Structures			Cu. Yd.	0.6

Reinforcement bars designated (E) shall be epoxy coated.

DESIGNED	EML
CHECKED	NJM
DRAWN	EML
CHECKED	NJM

**HORNER & SHIFRIN, INC.**  
ENGINEERS ■ ARCHITECTS ■ PLANNERS

**EAST ABUTMENT**  
**F.A.P. ROUTE 817 - SECTION 106BR-1**  
**WASHINGTON COUNTY**  
**STATION 690+00.00**  
**STRUCTURE NO. 095-0028**