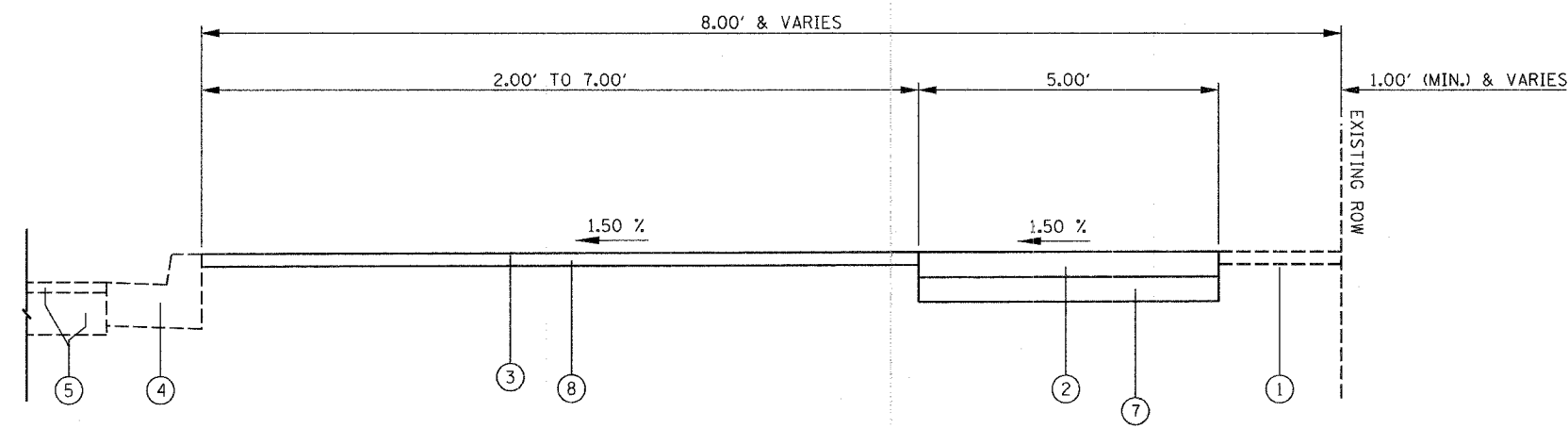


F.A. RTE.	SECTION	COUNTY	TOTAL SHEETS	SHEET NO.
IL 43	03-00047-00-SW	COOK	20	6
STA.	TO STA.			
FED. ROAD DIST. NO.	ILLINOIS	FED. AID PROJECT		
CONTRACT NO. 83830				

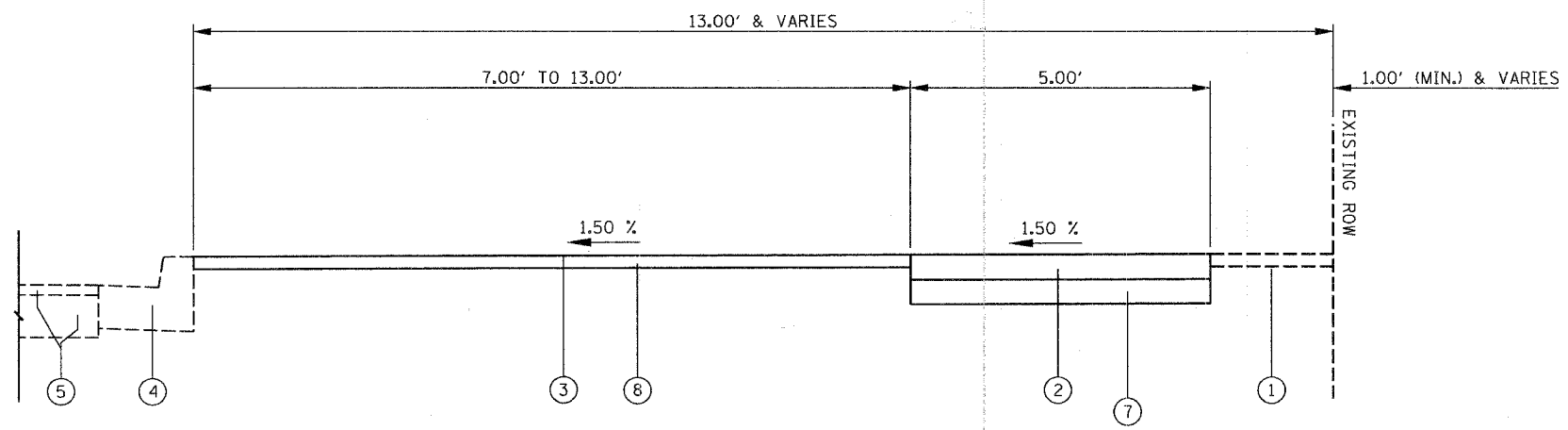


PROPOSED TYPICAL SECTION

STA 2+54.37 TO STA 4+97.60
 STA 6+32.55 TO STA 8+66.92
 STA 27+73.46 TO STA 30+76.15
 STA 65+23.17 TO STA 67+26.00
 STA 69+05.60 TO STA 69+81.98
 STA 72+06.72 TO STA 73+55.93

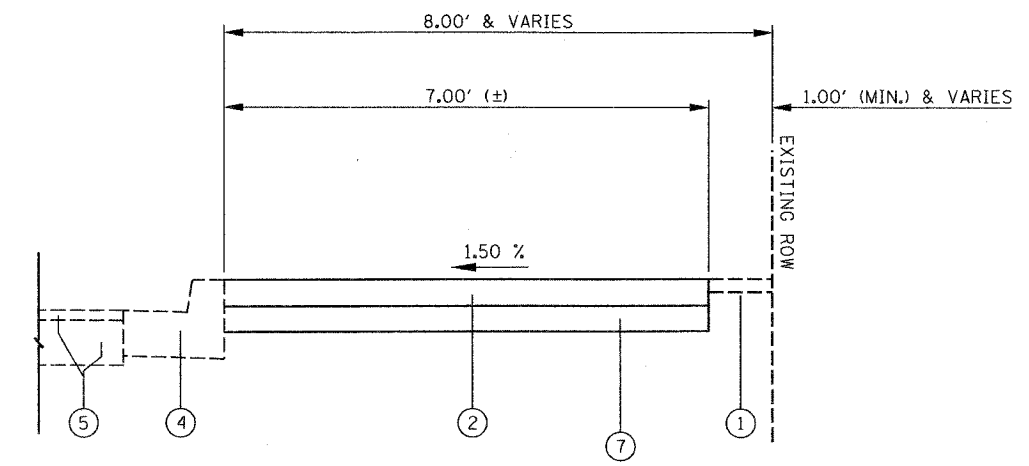
LEGEND

- ① EXISTING GROUND (I.E., SOD, PAVEMENT, ETC.)
- ② PORTLAND CEMENT CONCRETE SIDEWALK, 5 IN
- ③ SODDING, SALT TOLERANT
- ④ EXISTING CONCRETE CURB
- ⑤ EXISTING HARLEM AVENUE SUB-BASE GRANULAR MATERIAL & BITUMINOUS PAVEMENT
- ⑥ CONCRETE CURB, TYPE B
- ⑦ SUB-BASE GRANULAR MATERIAL, TYPE B, 4 IN (INCIDENTAL TO THE SIDEWALK)
- ⑧ TOPSOIL, FURNISH AND PLACE, 4 IN
- ⑨ BITUMINOUS CONCRETE PAVEMENT REMOVAL (FULL DEPTH)
- ⑩ CURB REMOVAL
- ⑪ FULL-DEPTH SAW CUT (INCIDENTAL TO THE BITUMINOUS CONCRETE PAVEMENT REMOVAL, (FULL DEPTH))



PROPOSED TYPICAL SECTION

STA 16+94.08 TO STA 24+89.29
 STA 31+08.57 TO STA 40+97.17
 STA 43+85.15 TO STA 56+85.44
 STA 67+62.45 TO STA 68+53.54





PROPOSED TYPICAL SECTION

STA 5+18.53 TO STA 5+77.25
 STA 6+13.56 TO STA 6+32.55
 STA 27+36.78 TO STA 27+73.46

MIXTURE REQUIREMENTS TABLE

CODE NO.	ITEM	AC TYPE	VOIDS	MAX RAP%	LIFT/TYPICAL THICKNESS	UNIT WEIGHT (LBS/SqYd/In)
X4066414	BITUMINOUS CONCRETE SURFACE COURSE, SUPERPAVE, MIX "C", N50	PG 64-22	4% @ 50 GYR.	15%	1-1/2"	112
X4066614	BITUMINOUS CONCRETE BINDER COURSE, SUPERPAVE, IL-19, N50	PG 58-22	4% @ 50 GYR.	25%	2-1/4"	112
X4066735	LEVELING BINDER (HAND METHOD), SUPERPAVE N50	PG 64-22	4% @ 50 GYR.	15%	3/4" - 2"	112

NOTE: BITUMINOUS ITEMS ARE USED FOR THE RESTORATION OF AFFECTED DRIVEWAYS/PARKING LOTS, AND THE RECONSTRUCTION OF CURB AND GUTTER AREAS (WHERE APPLICABLE).

 Globetrotters Engineering Corporation ENGINEERS ARCHITECTS 300 South Wacker Drive Chicago, Illinois 60606	 Village of Bridgeview Illinois Steven M. Landek, Mayor	<table border="1"> <tr><th colspan="2">REVISIONS</th></tr> <tr><th>NAME</th><th>DATE</th></tr> <tr><td> </td><td> </td></tr> <tr><td> </td><td> </td></tr> <tr><td> </td><td> </td></tr> <tr><td> </td><td> </td></tr> <tr><td> </td><td> </td></tr> <tr><td> </td><td> </td></tr> <tr><td> </td><td> </td></tr> </table>	REVISIONS		NAME	DATE															ILLINOIS DEPARTMENT OF TRANSPORTATION SIDEWALK IMPROVEMENT PROPOSED TYPICAL SECTIONS
		REVISIONS																			
NAME	DATE																				
SCALE: VERT. N.T.S. HORIZ. N.T.S. DATE: 11 / 17 / 05		DRAWN BY: C.G. / K.S. CHECKED BY: C.G.																			