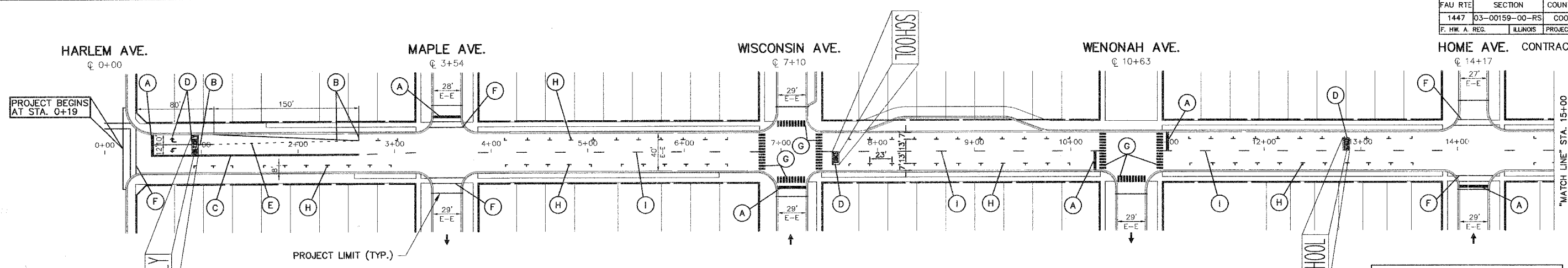


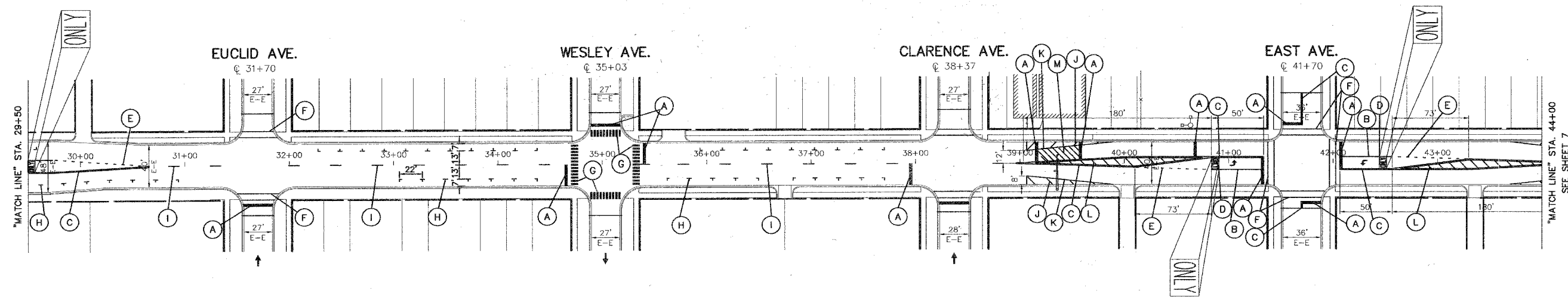
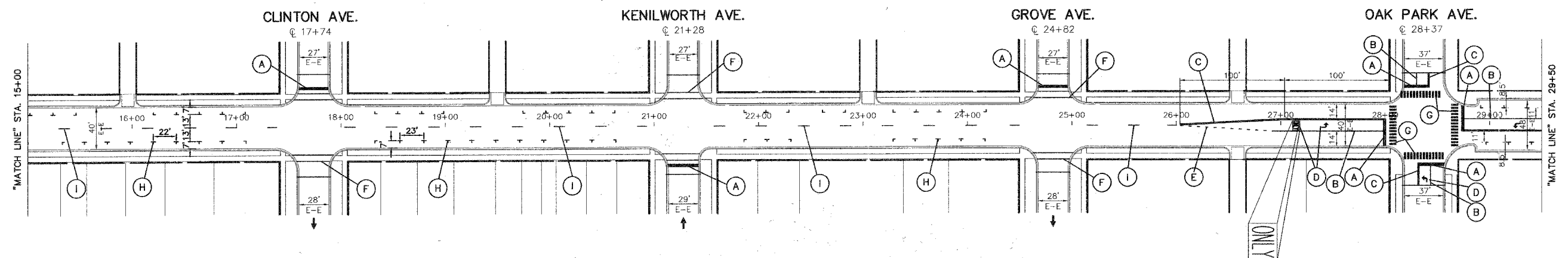
FAU RTE	SECTION	COUNTY	TOTAL SHEETS	SHEET NO.
1447	03-00159-00-RS	COOK	24	17
F. HW. A. REG.	ILLINOIS	PROJECT STPM-8003(581)		

CONTRACT NO. 83835



- STRIPING LEGEND**
- (A) SOLID WHITE THERMOPLASTIC STOP LINE, 24" WIDTH
 - (B) SOLID WHITE THERMOPLASTIC LINE, 6" WIDTH
 - (C) DOUBLE SOLID YELLOW THERMOPLASTIC CENTER, 4" WIDTH AT 11" CENTER TO CENTER
 - (D) SOLID WHITE THERMOPLASTIC LETTERS AND SYMBOLS
 - (E) SOLID WHITE THERMOPLASTIC SKIP DASH 6" WIDTH, 2' DASH 6' SKIP
 - (F) SOLID WHITE THERMOPLASTIC CROSSWALK LINE, 6" WIDTH, 6 FEET APART
 - (G) SOLID WHITE THERMOPLASTIC CROSSWALK BARS, 12" WIDTH, 2 FEET APART
 - (H) SOLID WHITE THERMOPLASTIC PARKING STALL MARKING, 4" WIDTH, 12" x 6" "T"
 - (I) SOLID YELLOW THERMOPLASTIC SKIP DASH CENTER 4" WIDTH 10' LONG AT 30 FOOT INTERVALS
 - (J) SOLID WHITE THERMOPLASTIC LINE, 45° DIAGONAL, 12" WIDTH, 14' APART
 - (K) SOLID WHITE THERMOPLASTIC LINE, 8" WIDTH
 - (L) SOLID YELLOW THERMOPLASTIC LINE, 45° DIAGONAL, 12" WIDTH, 8' APART
 - (M) SOLID WHITE THERMOPLASTIC LINE, 45° DIAGONAL, 12" WIDTH, 4' APART

IMPORTANT!
 FULL SIZE PLANS HAVE BEEN PREPARED USING STANDARD ENGINEERING SCALES. REDUCED SIZED PLANS WILL NOT CONFORM TO STANDARD SCALES INDICATED IN TITLE BLOCK.



Frank Novotny & Associates, Inc.
 Civil Engineers/Municipal Consultants
 825 Midway Drive • Willowbrook, IL • 60527 • Telephone: (630) 887-8640 • Fax: (630) 887-0132
 Illinois Professional Design Firm No. 184-000928

PROJECT
CITY OF BERWYN, ILLINOIS
16TH STREET RESURFACING
 SECTION NO. 03-000159-00-RS

REVISIONS			
NO.	BY	DATE	DESCRIPTION
1	THK	11/30/05	PER IDOT DIST. 1 B.L.R. COMMENTS
2	THK	12/14/05	PER IDOT DIST. 1 B.L.R. COMMENTS
3	THK	12/16/05	PER IDOT DIST. 1 B.L.R. COMMENTS

STRIPING & DETECTOR LOOP REPLACEMENT
 16TH STREET
 HARLEM AVE. TO STA. 44+00

PROJECT NO. 02260	SCALE 1"=50'
DRAWN/DESIGNED JEP-RAW/THK	DATE OCT., 2005
CHECKED/APPROVED JEF	FIELD BOOK NO. FILE

SHEET
17
OF
24
SHEETS

I:\Projects\02260_S11\06-09_Pavement-10-12_Drainage-15_Optical-17-18_Striping.dwg 12/20/2005 11:31:30 AM