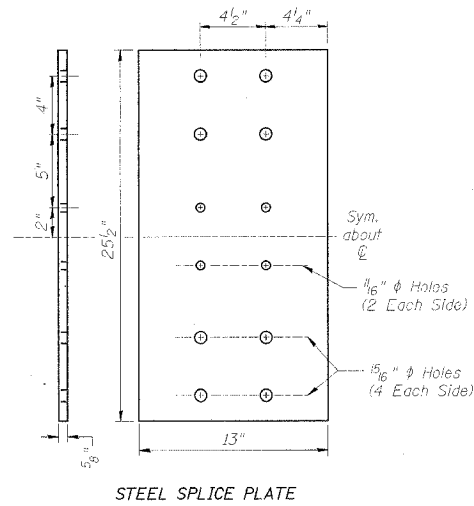
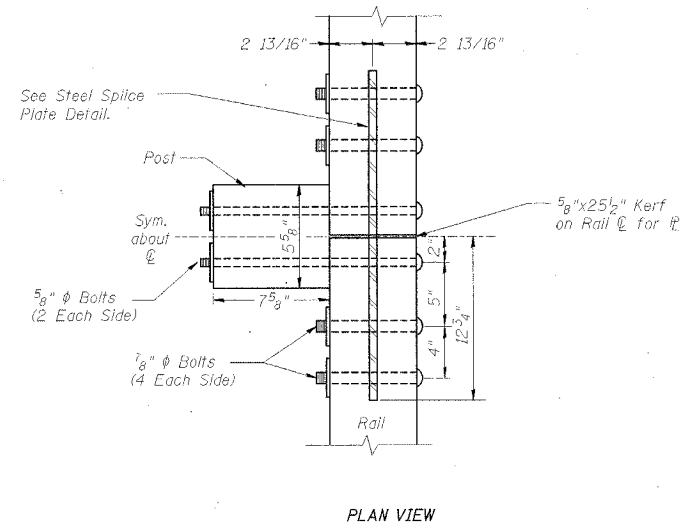


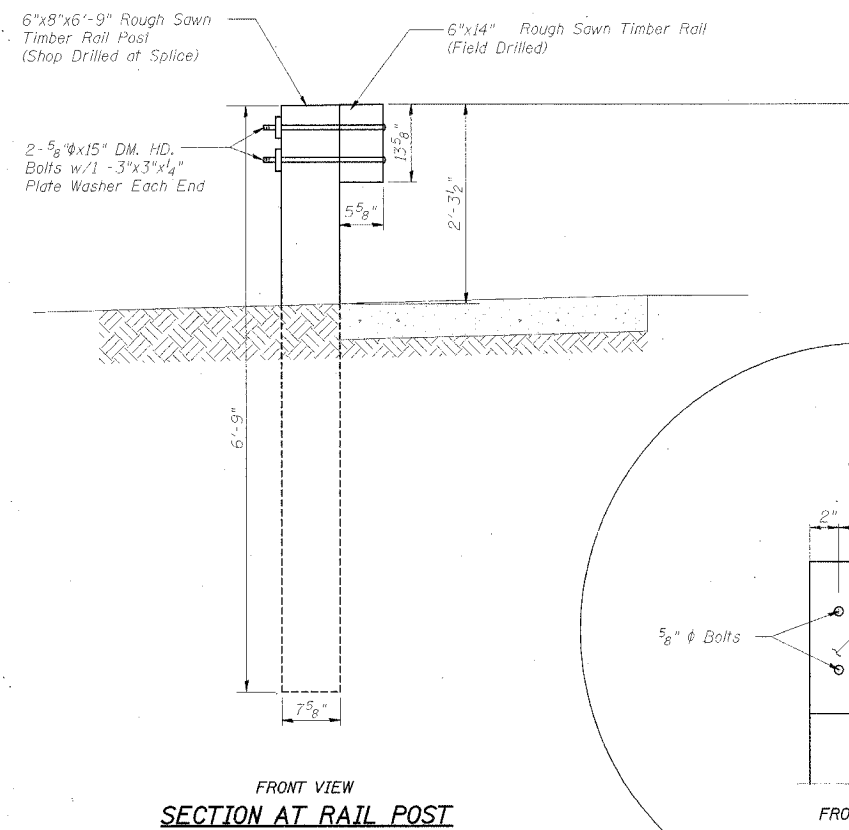
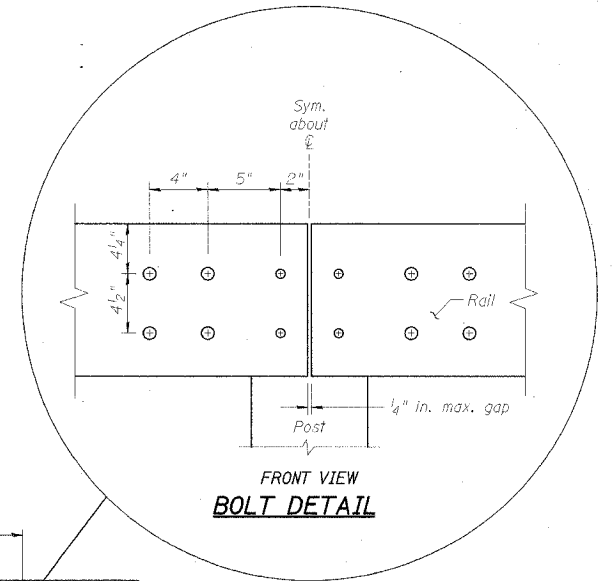
GUARDRAIL, SPECIAL 2

(LOCATED AT BACK OF PARKING AREA)

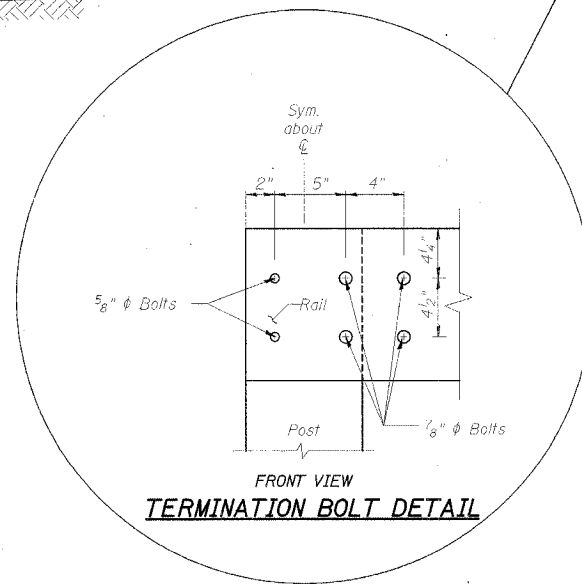
DATE	SECTION	COUNTY	BY	CHECK
2.45	98-20101-00-BR	BUREAU	65	12
FED. ROAD DIST. NO. 7	ILLINOIS	FED. AID PROJECT - BR05-011(62)		



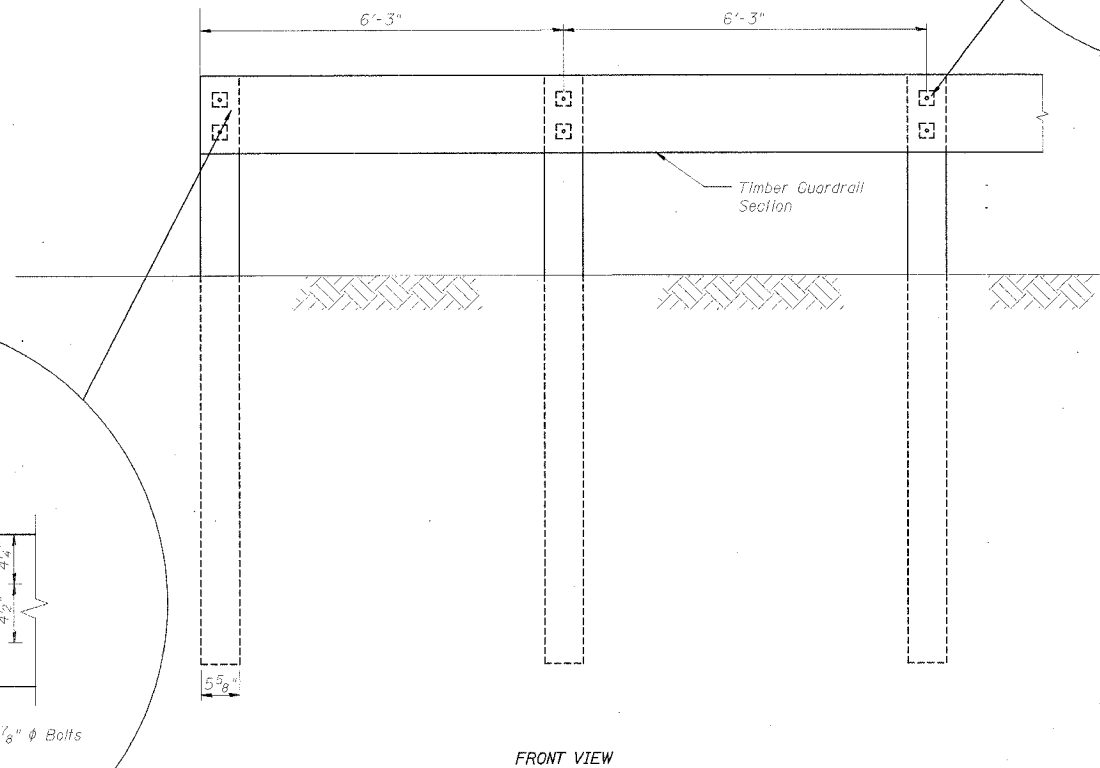
SPLICE DETAILS



SECTION AT RAIL POST



TERMINATION BOLT DETAIL



FRONT VIEW

NOTES:
The Timber Guardrail & Post shall be Southern Pine - No. 1 or Better Treated with Pentachlorophenol (AIRC 109XLP-77)

GUARDRAIL, SPECIAL 2
SECTION 98-20101-00-BR
T.R. 245 OVER BIG BUREAU CREEK
STA. 13+70, S.N. 006-4288
BUREAU COUNTY

WHA # 1104D04
s:\struct\1104D04\Misc\1104guard.dgn