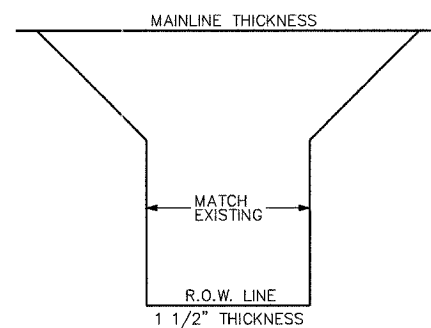


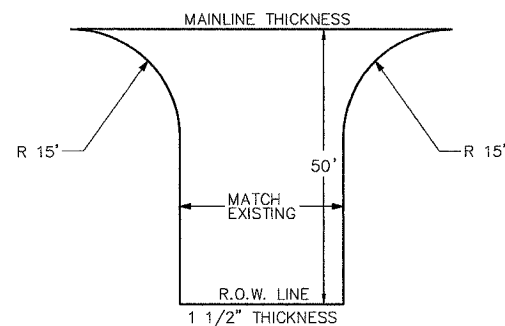
ROUTE NO.	SECTION	COUNTY	TOTAL SHEETS	SHEET NUMBER
6385	*	McLEAN	34	10
FED. RD. DIST. #7 ILLINOIS PROJ. # M-5227 (45)				

* 03-00182-00-RS
CONTRACT NO. 87275

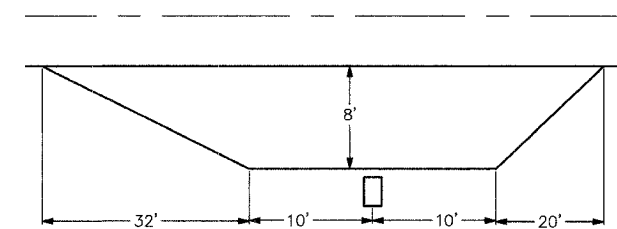
URBAN PRIVATE ENTRANCE
2 @ 64.1 SQ YDS EACH



RURAL PRIVATE ENTRANCE
8 @ 77.4 SQ YDS EACH

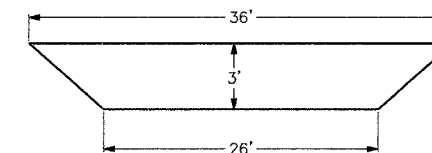


MAILBOX TURNOUT
4 @ 42 SQ YDS EACH



NOTE: MULTIPLE MAILBOX CLUSTERS TO BE EXTENDED 2' FOR EACH ADDITIONAL MAILBOX.

FIELD ENTRANCE
14 @ 42 SQ YDS EACH



NOTES: ALL FIELD ENTRANCES SHALL BE CONSTRUCTED WITH THE EXTENDABLE SCREED WIDENERS AND PAID FROM BITUMINOUS BINDER AND SURFACE COURSES.
ALL SIDE ROAD RETURNS, PRIVATE ENTRANCES & MAILBOX TURNOUTS ARE TO BE CONSTRUCTED AND PAID FROM INCIDENTAL BITUMINOUS SURFACE COURSE.
AGGREGATE SHOULDERS SHALL BE PLACED ALONG ALL SIDE ROAD RETURN RADI AND PRIVATE ENTRANCE RADI AND ALSO SHALL BE PLACED ALONG AND BEHIND ALL FIELD ENTRANCES AND MAILBOX TURNOUTS UNLESS SPECIFIED BY THE ENGINEER.