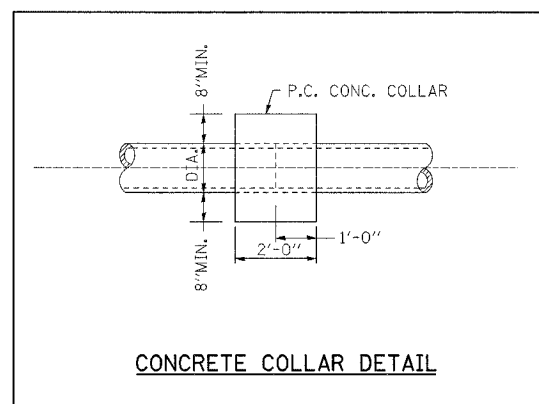
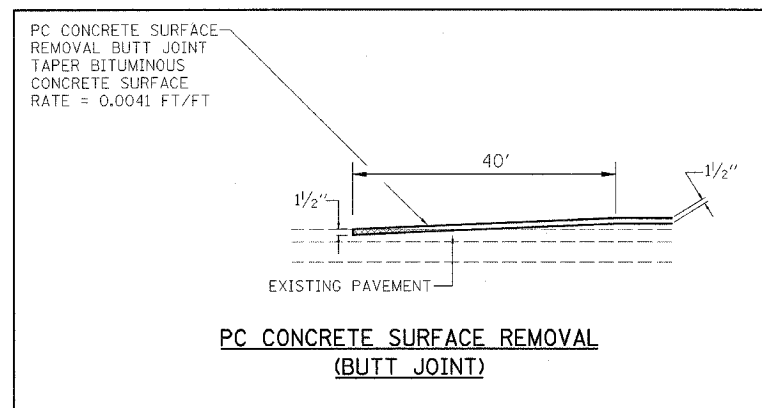
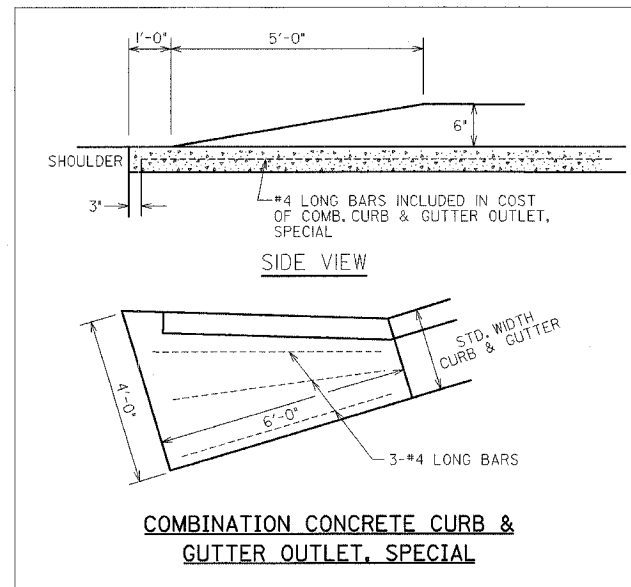


F.A.U. RTE.	SECTION	COUNTY	TOTAL SHEETS	SHEET NO.
*	**	McLEAN	34	28

STA. TO STA.
 FED. ROAD DIST. NO. ILLINOIS FED. AID PROJECT
 * 6352 - COLLEGE AVENUE
 6385 - WHITE OAK ROAD (C.H. 70)
 ** 03-00182-00-RS



LEGEND

EXISTING

- IRON ROD
- BENCHMARK
- ▽ MAILBOX
- SIGN
- TREE/BUSH
- EVERGREEN TREE
- STREET LIGHT
- ↑ POWER POLE
- ↑ DOWN GUY
- ELECTRIC BOX
- TRAFFIC SIGNAL COMBINATION MASTARM
- TRAFFIC SIGNAL
- TRAFFIC JUNCTION BOX
- WOOD POST
- HANDHOLE
- UNDERGROUND ELECTRIC BOX
- UNDERGROUND TELEPHONE BOX
- YARD SPRINKLER
- FIRE HYDRANT
- ⊗ WATER VALVE
- ⊗ GAS VALVE
- INLET
- MANHOLE
- ▽ FLARED END SECTION
- RIGHT OF WAY LINE
- x-x-x-x-x FENCE
- ~ BUSH ROW
- 10'-3" SS- STORM SEWER
- W- WATERMAIN
- OE-OE- OVERHEAD ELECTRIC
- G- GASMAIN

PROPOSED

- P845.00 EDGE OF PAVEMENT ELEVATION
- TBF TRENCH BACKFILL
- TC TOP OF CURB
- COMB. CURB & GUTTER TO BE REMOVED
- ▨ PAVEMENT TO BE REMOVED
- ===== COMB. CONCRETE CURB & GUTTER TYPE B6.18
- ▩ CURB DRAINAGE STRUCTURE

McLEAN CO SECTION 03-00182-00-RS
 COLLEGE AVENUE & WHITE OAK ROAD WIDENING

MISCELLANEOUS DETAILS & LEGEND

DRAWN BY J.OCHSNER	<p>2706 McGraw Drive Bloomington, Illinois 61704 309.888-8888 / fax 309.888-1671</p>	FILE NO. 24-7482
DATE 03/08/05		BOOK NO. 2704
CHECKED BY RGD		SHEET NO.