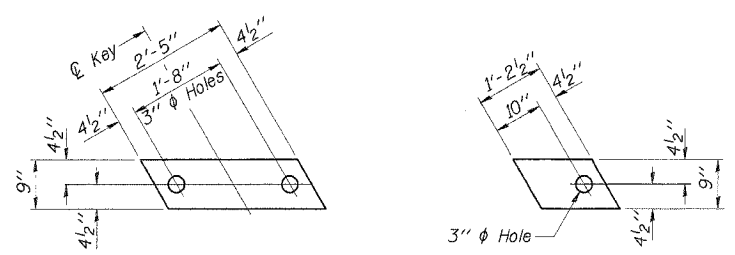
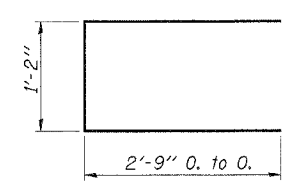


ROUTE NO.	SECTION	COUNTY	TOTAL SHEETS	SHEET NO.
C.H. 20	04-00153-00-BR	STARK	13	6
ILLINOIS				

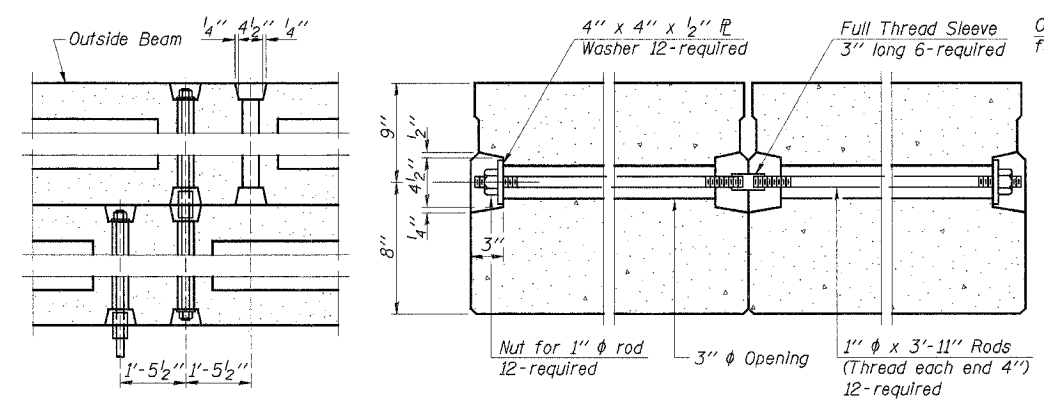
CONTRACT NO. 89364



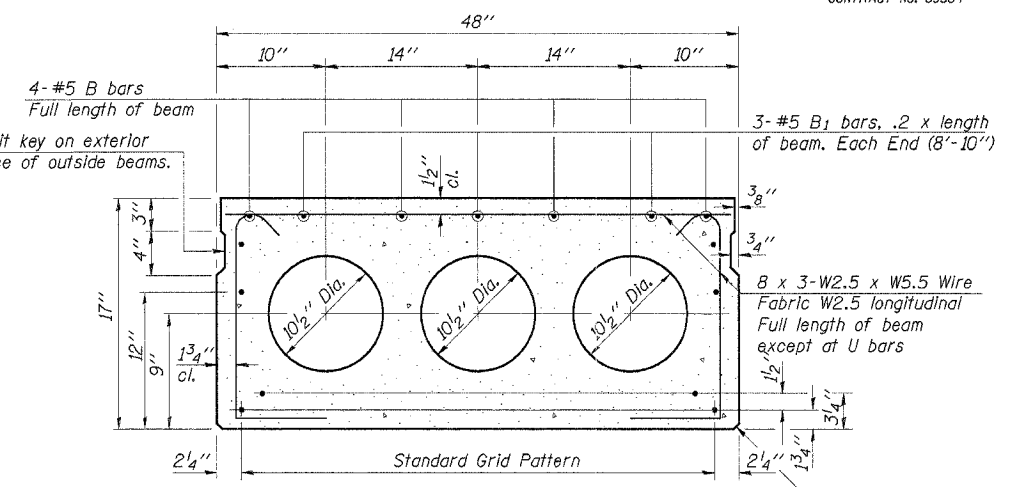
FABRIC BEARING PAD
(Interior) (12 Req'd)
FABRIC BEARING PAD
(Exterior) (4 Req'd)
FIXED



BAR U1

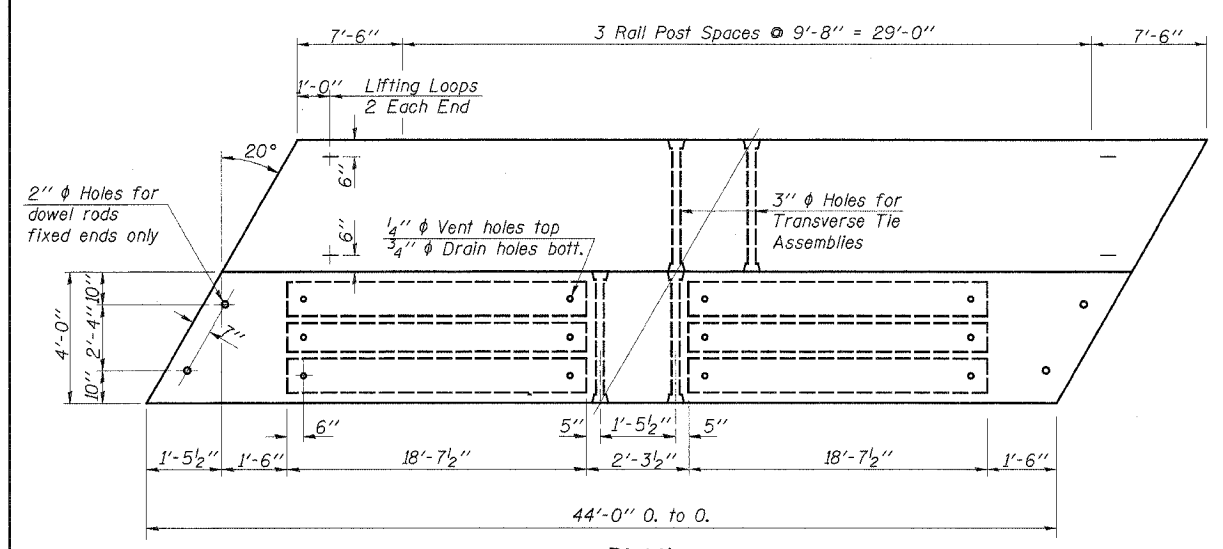


TYPICAL TRANSVERSE TIE ASSEMBLY

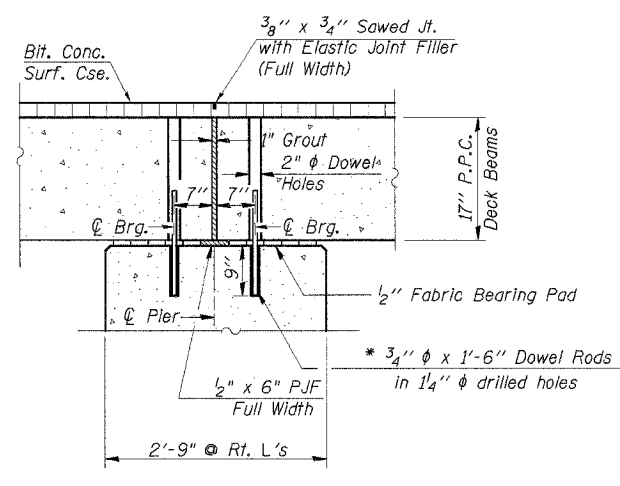


TYPICAL SECTION

19-1/2" ϕ Strands, Each Strand Stressed to 30,900 Lbs.
13-Strands 1 3/4" up, 4-Strands 3/4" up, 2-Strands 12" up
Note: Place strands symmetrically about ϕ of beam.

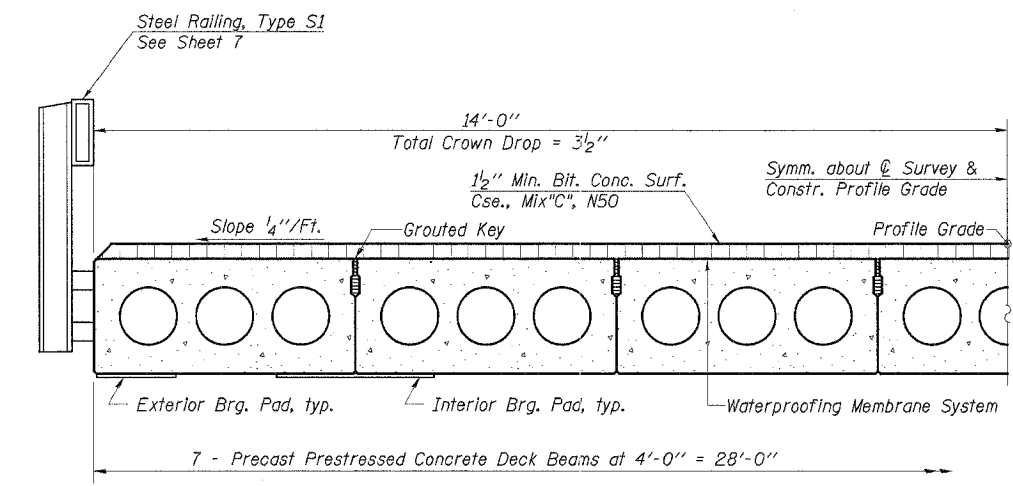


PLAN



SEC. AT PIER

* Note: After beams are in place, 1/4" holes shall be drilled into the substructure, and the dowel rods grouted in place and allowed to cure (Min. 24 Hrs.) prior to grouting shear key.



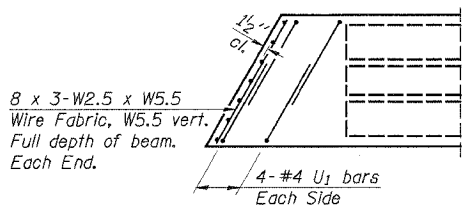
HALF CROSS SECTION

BILL OF MATERIAL

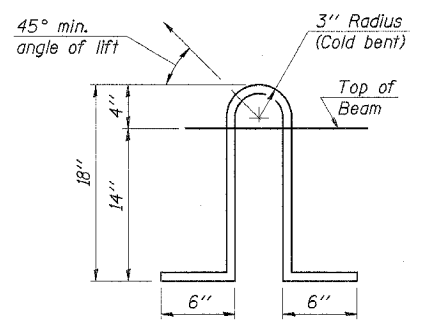
Item	Unit	Quantity
Precast Prestressed Concrete Deck Beams (17" Depth)	Sq. Ft.	1232
Bit. Conc. Surf. Cse., Mix "C", N50	Ton	23
Waterproofing Membrane System	Sq. Yd.	137
P.C. Mortar Fairing Course	Foot	132
Estimated Total Weight (One Beam) = 28,190 Pounds		

NOTES

Prestressing steel shall be uncoated high strength, low relaxation 7-wire strand, Grade 270. The nominal diameter shall be 1/2" and the nominal cross-sectional area shall be 0.153 sq. in. Lifting loops shall be 2 - 1/2" ϕ -270 ksi strands, as shown.
The 1" ϕ rods in the transverse tie assembly shall be tightened to a snug fit and the threads set. Pockets that receive transverse tie bar on outside shall be filled with grout after transverse tie assembly is in place.
Non prestressing steel shall conform to AASHTO M-31 or M-322, Grade 60.
The bearing seat surfaces shall be adjusted by shimming to assure firm and even bearing. Two 1/8" fabric adjusting shims of the dimensions of the Exterior Bearing Pad shall be provided for each bearing. (32 Req'd)
Keyway surfaces shall be cleaned to remove form oil or other bond breaking material prior to shipment of the beams. Cleaning shall be done by sandblasting the keyway areas between top of the beam and the bottom edge of the key.
Required Release Strength, f'cl, shall be 4,000 p.s.i.
See Special Provisions for review and distribution of shop drawings.
Roll post anchor devices shall be cast into outside beam as elsewhere specified.



END PLAN



LIFTING LOOP DETAIL

DESIGNED	SFM
CHECKED	FJS
DRAWN	SAP & JPS
CHECKED	SFM

SUPERSTRUCTURE SPAN 2

COUNTY HIGHWAY 20
SECTION 04-00153-00-BR
STARK COUNTY
STATION 15+00

4440 ASH GROVE SPRINGFIELD, IL 62711 (217) 793-8600 oasinc@tamvid.com	OZYURT AND STONE, INC. CONSULTING ENGINEERS	JOB NO.: 0414 FILE: super2.dgn DATE: 08/12/05
--	---	---