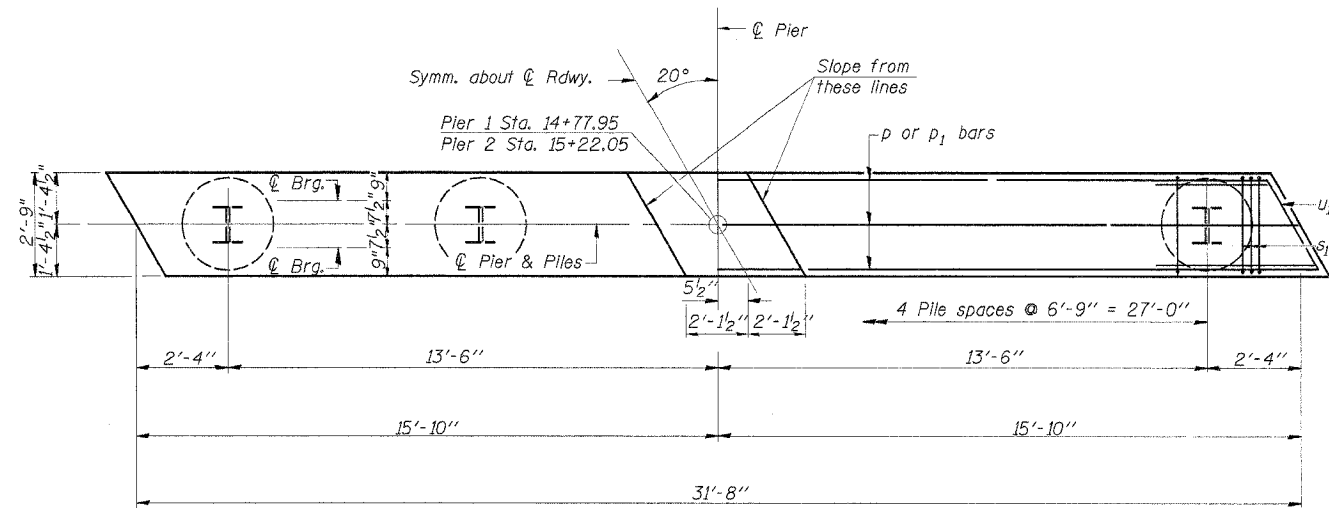
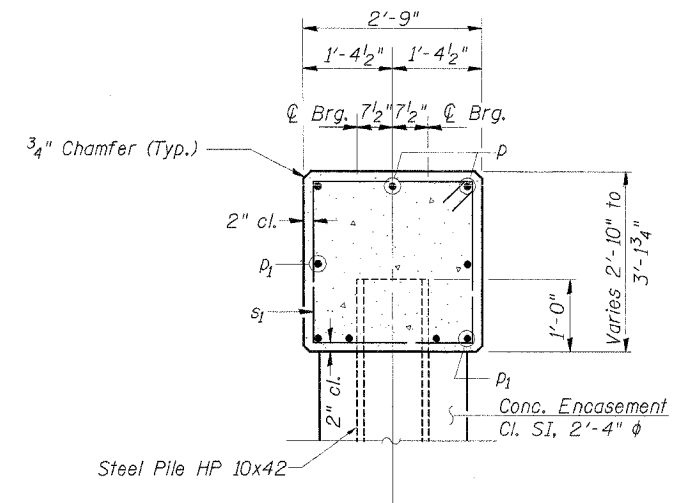


ROUTE NO.	SECTION	COUNTY	TOTAL SHEETS	SHEET NO.
C.H. 20	04-00153-00-BR	STARK	13	9

ILLINOIS
CONTRACT NO. 89364

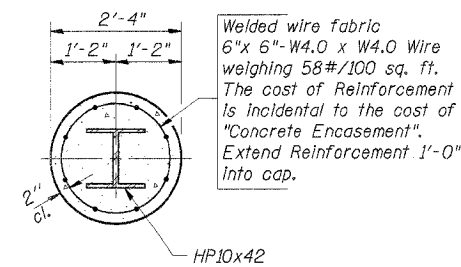


PLAN



SECTION A-A

Note: All edges shall have standard $3\frac{3}{4}''$ chamfer



SECTION B-B

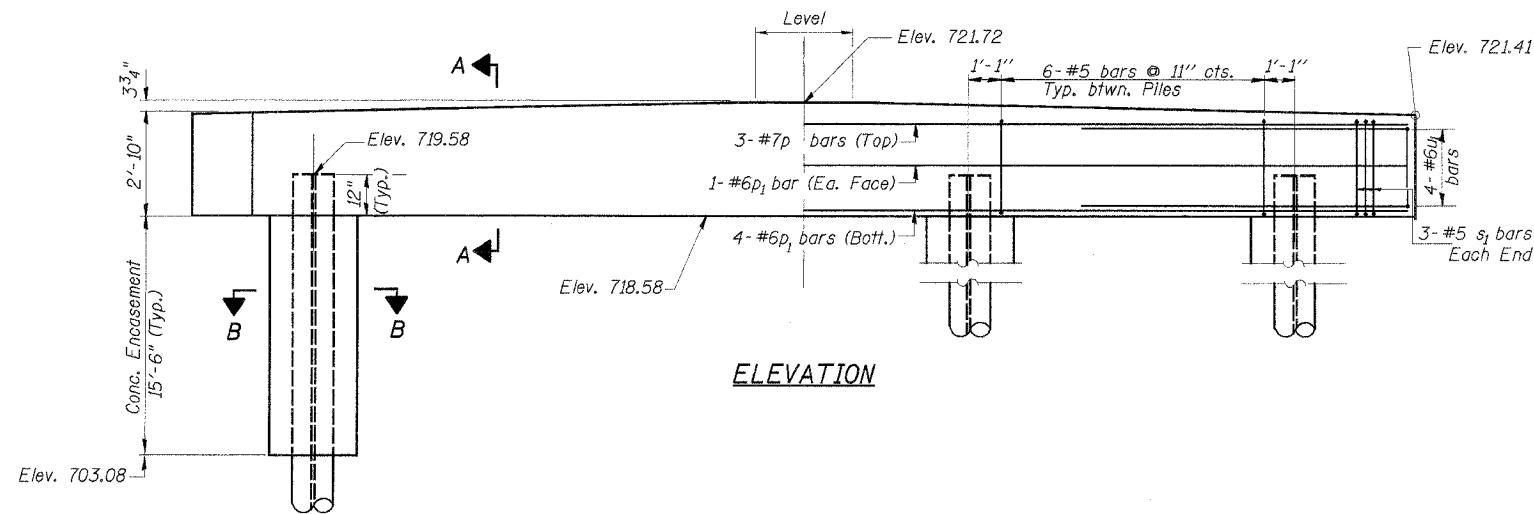
BILL OF MATERIAL - 2 PIERS

BAR	NO.	SIZE	LENGTH	SHAPE
p	6	#7	31'-4"	—
p_1	12	#6	31'-4"	—
s_1	60	#5	10'-9"	□
u_1	16	#6	12'-7"	—
Concrete Structures			Cu. Yd.	19.4
Reinforcement Bars			Pound	1930
Steel Piles, HP 10x42			Foot	468
Test Pile, HP 10x42			Each	1
Conc. Encasement			Cu. Yd.	24.6

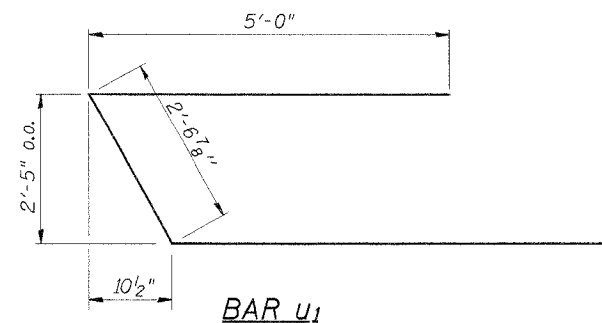
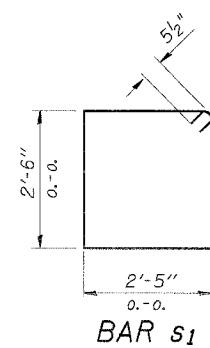
PILE DATA

Type..... Steel Piles HP 10x42
 Design Capacity..... 46 Tons
 Drive Piles To..... 69 Tons
 Drive Test Pile To..... 84 Tons
 Est. Length..... 52 Feet/Pile
 No. Req'd(2 Piers)..... 10*

*Includes 1 Test Pile to be driven in a permanent location, at Pier 2.



ELEVATION



DESIGNED	SFM
CHECKED	FJS
DRAWN	SAP & JPS
CHECKED	SFM

PIERS

COUNTY HIGHWAY 20
 SECTION 04-00153-00-BR
 STARK COUNTY
 STATION 15+00

4440 ASH GROVE
 SPRINGFIELD, IL 62711
 (217) 793-8600
 osinc@amvid.com

OZYURT AND STONE, INC.
 CONSULTING ENGINEERS

JOB NO.: 0414
 FILE: PIERLT.DGN
 DATE: 08/12/05