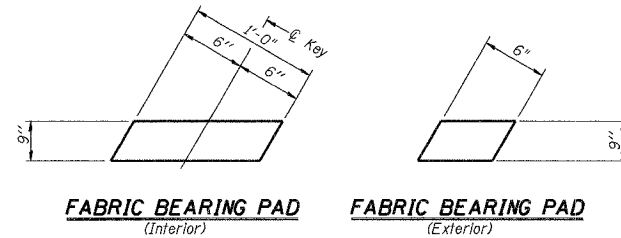


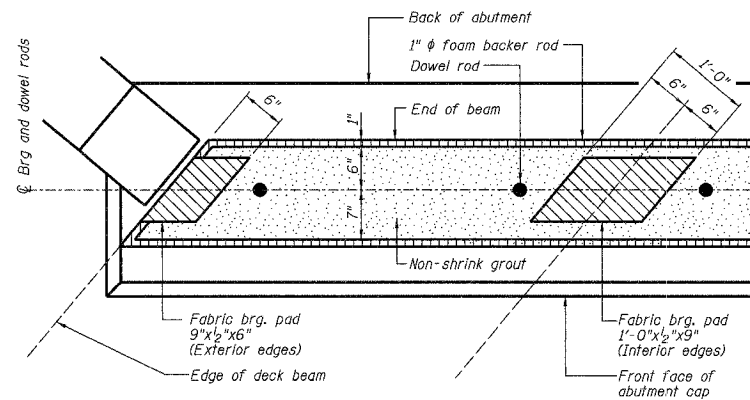
ROUTE NO.	SECTION	COUNTY	TOTAL SHEETS	SHEET NO.
TR 27	#	MACON	16	6
FEDERAL DIST. NO.		ILLINOIS	PROJECT	
*03-07146-00-BR				

Sheet No. 2
of 6 Sheets



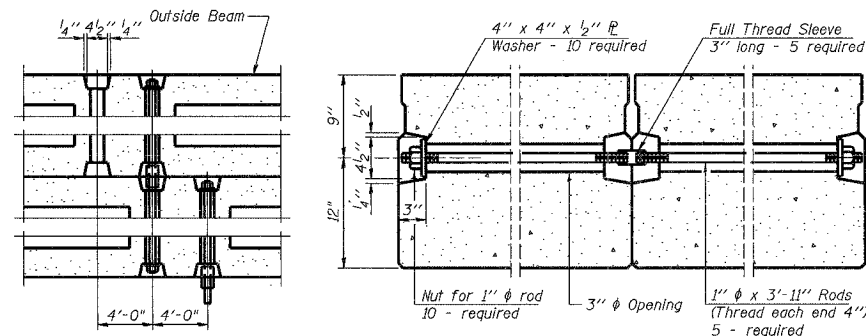
FABRIC BEARING PAD (Interior) **FABRIC BEARING PAD (Exterior)**

FIXED

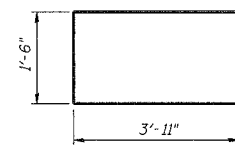


FIXED BEARINGS AT ABUTMENT

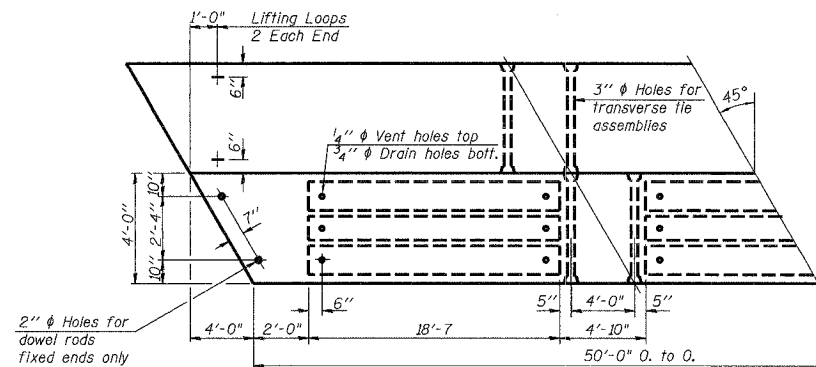
Cost of backer rod and non-shrink grout shall be included with "Precast Prestressed Concrete Deck Beams".



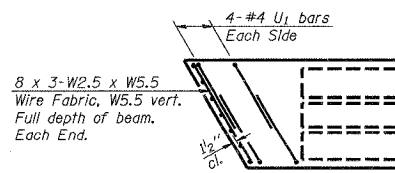
TYPICAL TRANSVERSE TIE ASSEMBLY



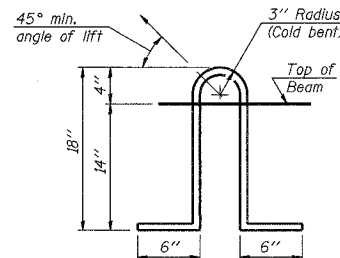
BAR U1



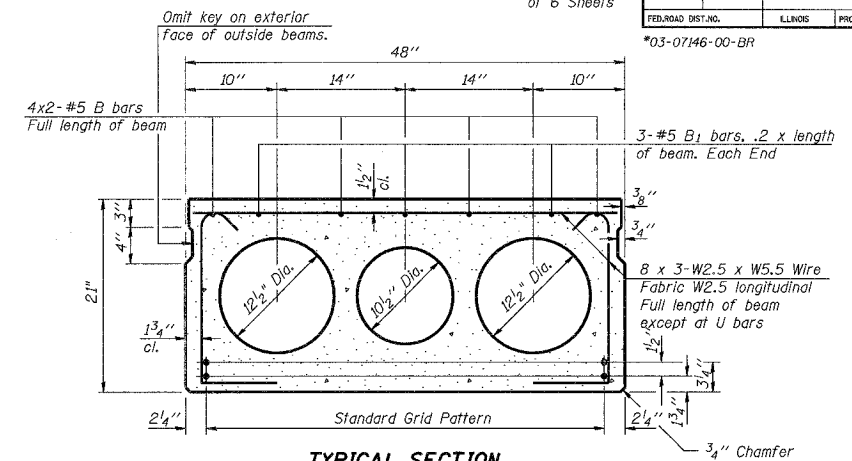
PLAN



END PLAN



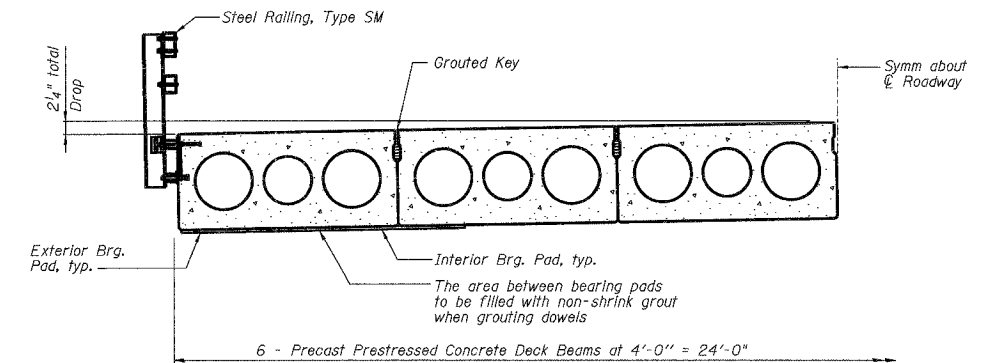
LIFTING LOOP DETAIL



TYPICAL SECTION

1/2" ϕ Strands, Each Strand Stressed to 30,900 Lbs.
14-Strands 1 3/4" up, 6-Strands 3/4" up, 2-Strands 15" up

Note:
Place strands symmetrically about $\frac{1}{2}$ of beam.



HALF CROSS SECTION

BILL OF MATERIAL

Bar	No.	Size	Length	Shape
B	8	#5	26'-6"	—
B1	6	#5	10'-0"	—
U1	16	#4	9'-4"	□
Precast Prestressed Conc. Deck Bms.		Sq. Ft.	1200	

*The above bar list is for one beam only.
Bars indicated thus 4x2-#5 etc, indicates 4 lines of bars with 2 lengths per line.

NOTES

Prestressing steel shall be uncoated high strength, low relaxation 7-wire strand, Grade 270. The nominal diameter shall be 1/2" and the nominal cross-sectional area shall be 0.153 sq. in. Lifting loops shall be 2 - 1/2" ϕ - 270 ksi strands, as shown. The 1" ϕ rods in the transverse tie assembly shall be tightened to a snug fit and the threads set. Pockets that receive transverse tie bar on outside shall be filled with grout after transverse tie assembly is in place. Non prestressing steel shall conform to AASHTO M-31 or M-322 Grade 60. The bearing seat surfaces shall be adjusted by shimming to assure firm and even bearing. Two 1/8" fabric adjusting shims of the dimensions of the Exterior Bearing Pad shall be provided for each bearing. Keyway surfaces shall be cleaned to remove form oil or other bond breaking material prior to shipment of the beams. Cleaning shall be done by sandblasting the keyway areas between top of the beam and the bottom edge of the key. Corrosion Inhibitor, as covered in the Special Provisions, shall be used in the concrete for precast prestressed concrete deck beams. Required Release Strength, f'cl, shall be 4000 p.s.i.

BEAM DETAILS

REVISIONS		TR 27 (HEMAN ROAD) OVER DRAINAGE DITCH		DRYAN BY DATE
NO.	DATE	INITIALS		R King 1/05
1				CHECKED BY DATE
2				CWC 1/05
3				BOOK NUMBER
4				375
5				PROJECT NO.
6				4900
7				SHEET NO.
8				6
9				
10				

PD-4-R 1-16-04