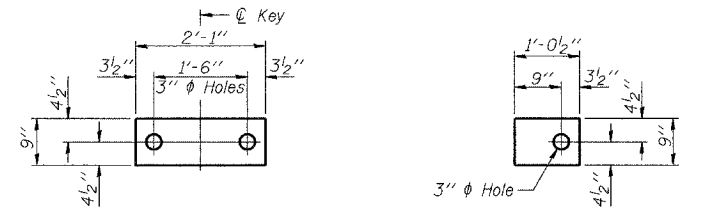
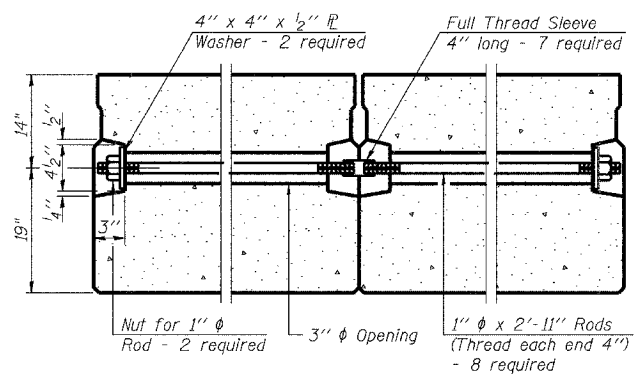


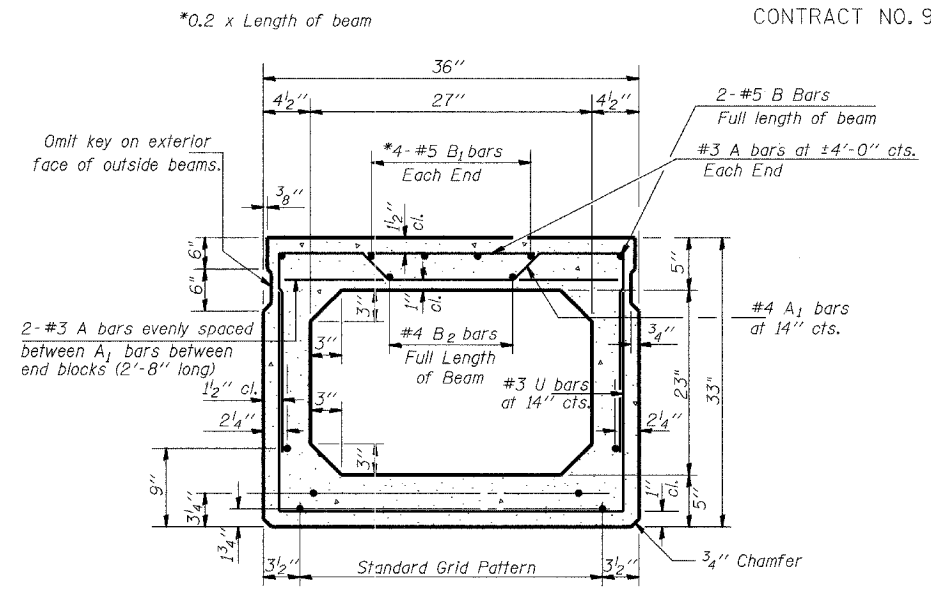
CONTRACT NO. 91342



FABRIC BEARING PAD
(Interior) **FIXED**
FABRIC BEARING PAD
(Exterior)



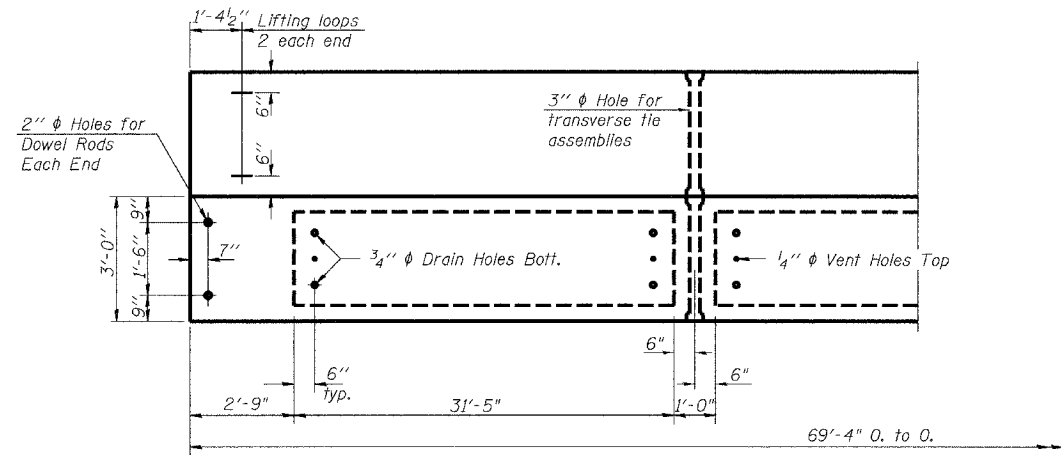
TYPICAL TRANSVERSE TIE ASSEMBLY



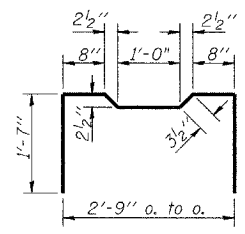
TYPICAL SECTION

16 - 1/2" Strands Each Strand Stressed to 30,900 Lbs.
8 - Strands 1 3/4" up, 6 - Strands 3/4" up,
and 2 - Strands 9" up.

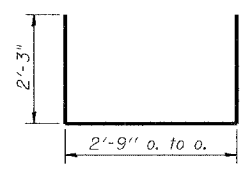
Note: Place strands symmetrically about centerline of beam.



PLAN

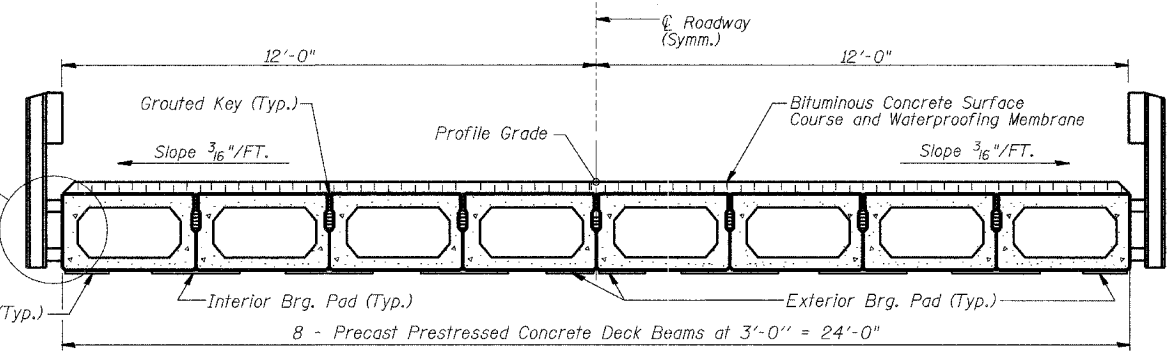


BAR A1

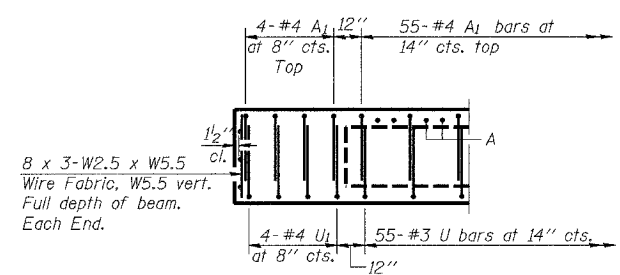


BARS U & U1

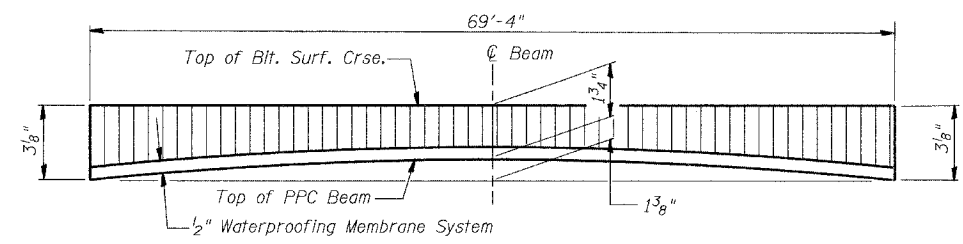
For Insert Detail and Rail Post Spacing, See sht. 3 of 4.



CROSS SECTION



END ELEVATION



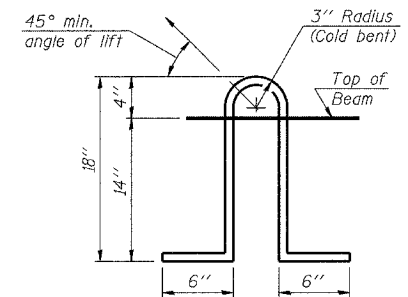
ANTICIPATED CAMBER DIAGRAM

NOTES

1. Prestressing steel shall be uncoated high strength, low relaxation 7-wire strand, Grade 270.
2. The nominal diameter shall be 1/2" and the nominal cross-sectional area shall be 0.153 sq. in.
3. Lifting loops shall be 3-1/2" diameter 270 ksi strands, as shown.
4. The 1" rods in the transverse tie assembly shall be tightened to a snug fit and the threads set. Pockets that receive transverse tie bar on outside shall be filled with grout after transverse tie assembly is in place.
5. Non prestressing steel shall conform to AASHTO M-31 or M-322, Grade 60.
6. The bearing seat surfaces shall be adjusted by shimming to assure firm and even bearing. Two 1/8" fabric adjusting shims of the dimensions of the Exterior Bearing Pad shall be provided for each bearing.
7. Keyway surfaces shall be cleaned to remove form oil or other bond breaking material prior to shipment of the beams. Cleaning shall be done by sandblasting the keyway areas between top of the beam and the bottom edge of the key.
8. Corrosion inhibitor, as covered in the Special Provisions, shall be used in the concrete for precast prestressed concrete deck beams.
9. Required Release Strength, f'ci, shall be 4,000 p.s.i.
10. When a waterproofing membrane is specified, the top surface of the beams shall be screeded with a straightedge and finished with a hand float. The finished surface shall be free of depressions or high spots with sharp corners and the top edge of keys shall be rounded or chamfered a minimum of 1/4".

BILL OF MATERIAL

Bar	No.	Size	Length	Shape
Precast Prestressed Conc. Deck Bms.	33"	Sq. Ft.	1664	



LIFTING LOOP DETAIL

SUPERSTRUCTURE		Sheet No.
Date	Designed MJP	C.H. 19 OVER WILLOW BRANCH SECTION 03-00181-00-BR MACON COUNTY STA. 15+62.59 PROP. STR. NO. 058-3368
Revisions	Drawn MJP	
	Checked KWB	
	Approved KWB	
Prepared by: URS	3040 North University Avenue Decatur, IL 62526	2 of 4 URS Job No. 36431468