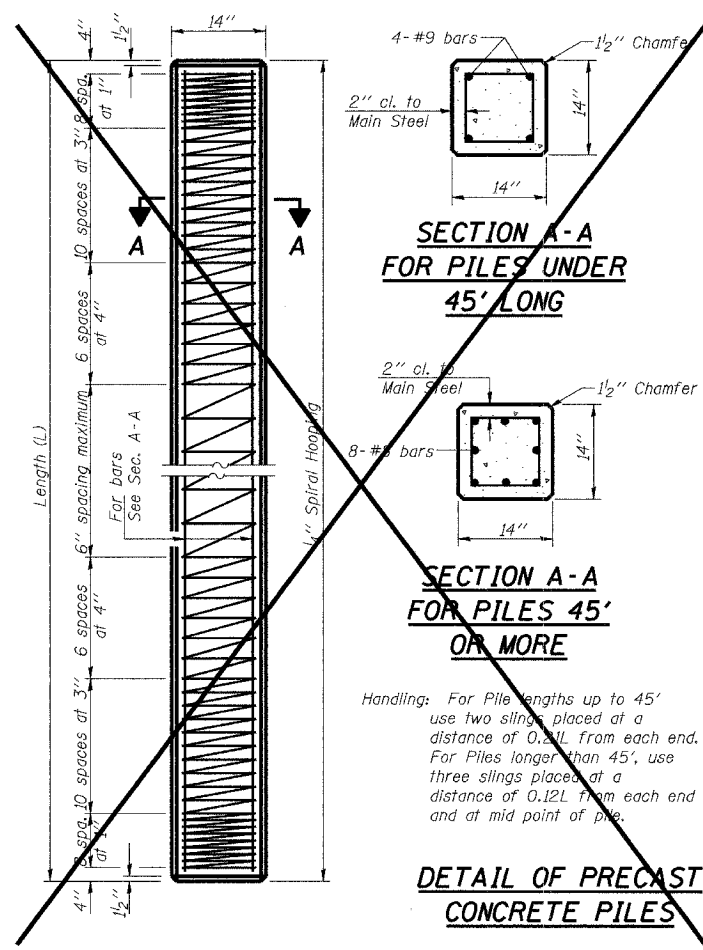
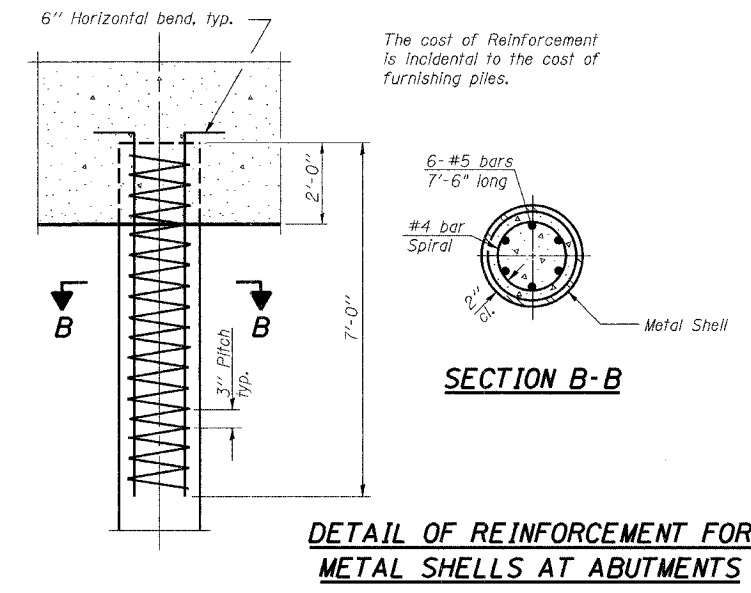
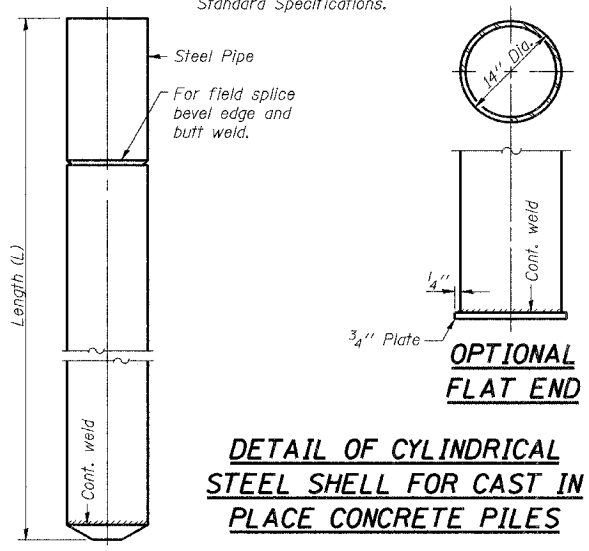


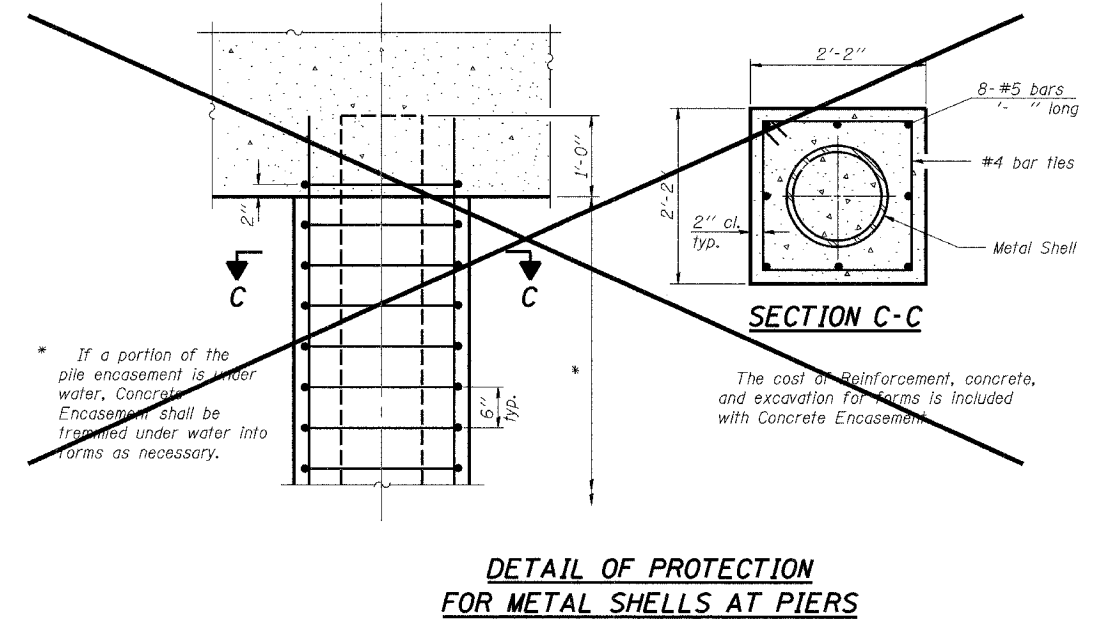
ROUTE NO.	SECTION	COUNTY	TOTAL SHEETS	SHEET NO.
FAU 6998	99-00209-02-PV	VERMILION	72	46
FED. ROAD DIST. NO.	ILLINOIS PROJECT			
CONTRACT NO. 91356				



Notes: Driving and bearing ends of pipe shall be cut square. The thickness of the shell shall be 0.250 inches with a tolerance of 5%. The shell shall be according to Article 1006.05(a) of the Standard Specifications.



The cost of Reinforcement is incidental to the cost of furnishing piles.



PILE DETAILS			
Date	Designed ACW	<b>WINTER AVENUE OVER STONEY CREEK</b> SECTION 99-00209-02-PV CITY OF DANVILLE, IL VERMILION COUNTY STA. 106+34.70 PROP. STR. NO. 092-6033	Sheet No.
Revisions	Drawn BKN		<b>15</b>
	Checked KWB		of 21
	Approved KWB		URS Job No.
Prepared by:	<b>URS</b> 3040 North University Avenue Decatur, IL 62526		<b>36430866</b>