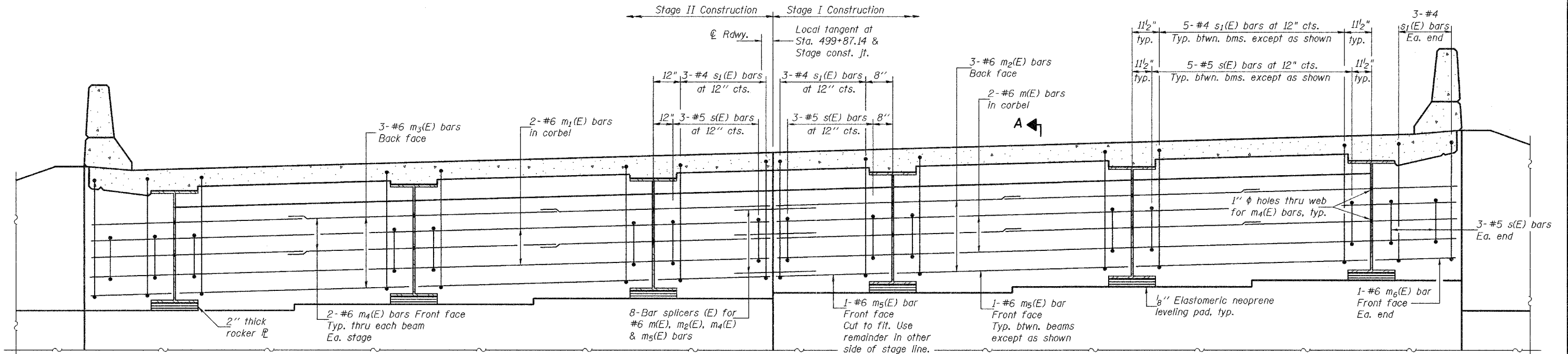


STATE OF ILLINOIS
DEPARTMENT OF TRANSPORTATION

ROUTE NO.	SECTION	COUNTY	TOTAL SHEETS	SHEET NO.	SHEET NO. 10
FAP 777	10B-1	MONTGOMERY	104	62	23 SHEETS
FED. ROAD DIST. NO. 7	ILLINOIS	FED. AID PROJECT-			

Contract #92667

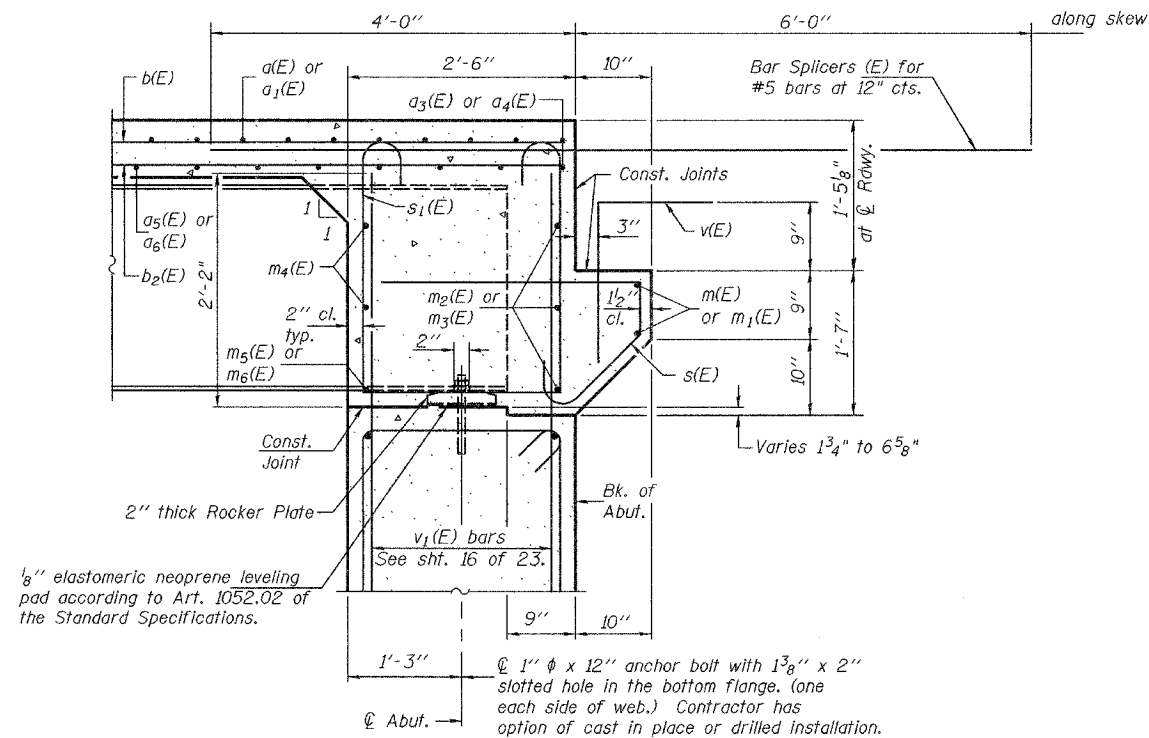


DIAPHRAGM ELEVATION AT W. ABUTMENT

Looking West

MIN. BAR. LAP

#6 bar = 2'-9"



SECTION A-A

Dimensions are at Rt. L's except as shown
* Cost included with Concrete Superstructure.

- Notes:
- Reinforcement bars in diaphragm are billed with superstructure on sheet 8 of 23.
 - Concrete in diaphragm is included with Concrete Superstructure on sheet 8 of 23.
 - For details of bars s(E) & s₁(E) see sheet 8 of 23.
 - The s(E) and s₁(E) bars shall be placed parallel to the beams. Spacing for these bars shall be at right angles to the beams.
 - For anchor bolt details see sheet 15 of 23.
 - For bar splicer details, see sheet 20 of 23.

DESIGNED	Daniel F. Zerrusen
CHECKED	Stephen M. Ryan
DRAWN	R. Doty
CHECKED	DFZ/SMR

EXAMINED	Thomas J. Donagale	Feb 3, 2006
PASSED	Ronald E. Anderson	

WEST DIAPHRAGM DETAILS
F.A.P. ROUTE 777 SECTION 10B-1
MONTGOMERY COUNTY
STATION 500+44.04
STRUCTURE NO. 068-0505