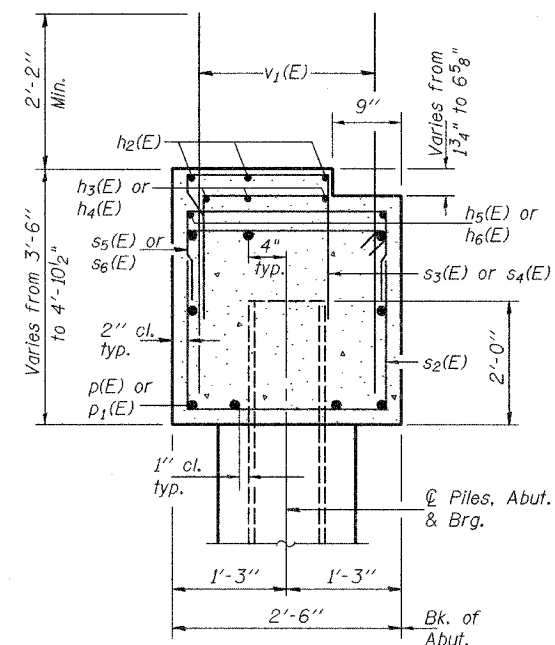
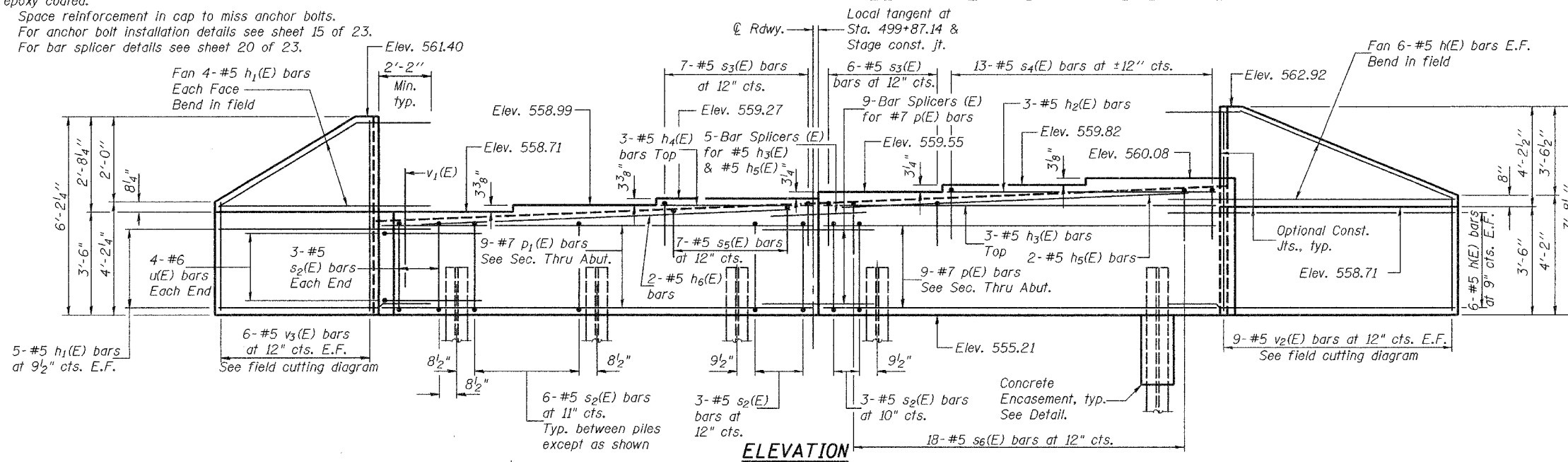


STATE OF ILLINOIS
DEPARTMENT OF TRANSPORTATION

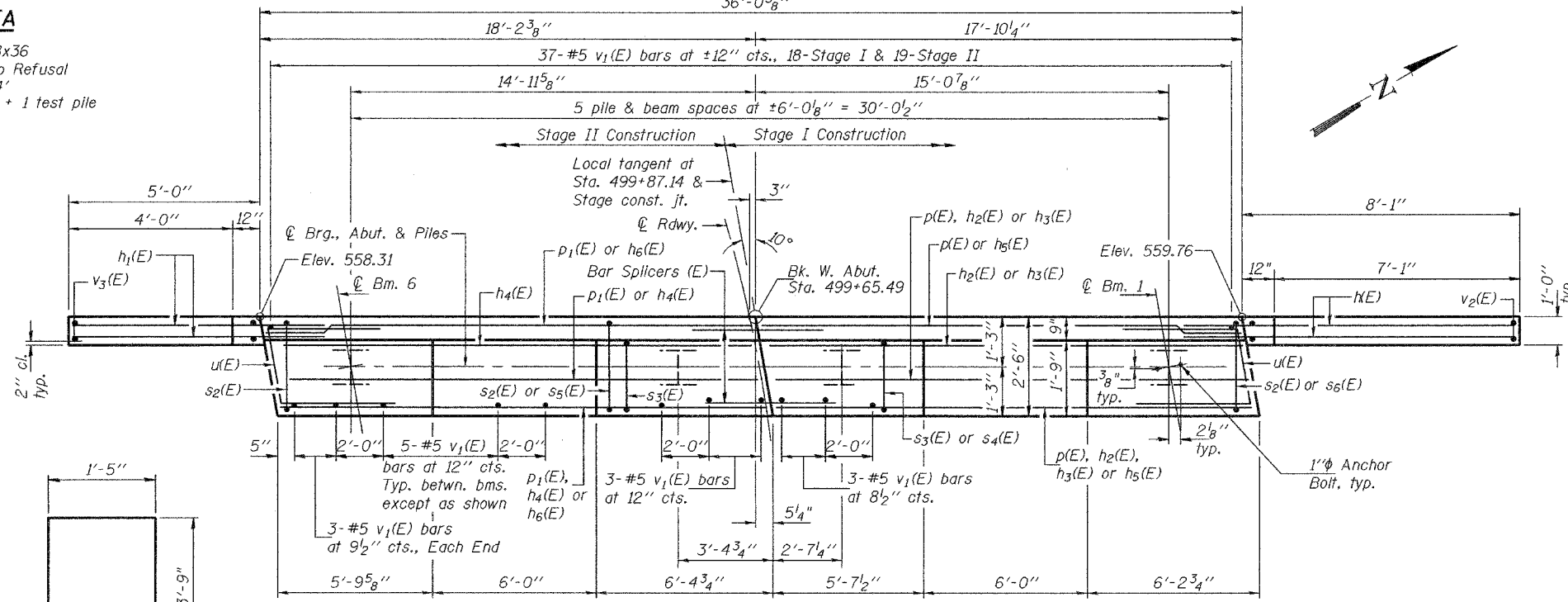
ROUTE NO.	SECTION	COUNTY	DATE	SHEET	SHEET NO. 16 23 SHEETS
FAP 777	10B-1	MONTGOMERY	104	68	
FED. ROAD DIST. NO. 7		ILLINOIS	FED. AID PROJECT-		Contract #92667

Notes:
Pour steps monolithically with cap.
Reinforcement bars designated (E) shall be epoxy coated.
Space reinforcement in cap to miss anchor bolts.
For anchor bolt installation details see sheet 15 of 23.
For bar splicer details see sheet 20 of 23.

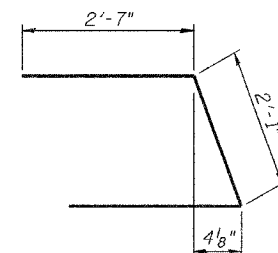


PILE DATA

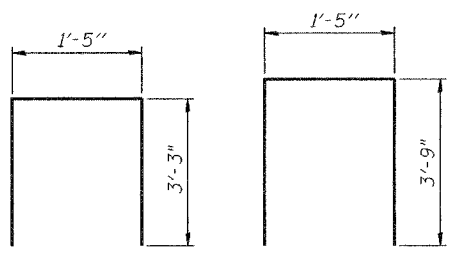
Type: Steel HP8x36
Capacity: Driven to Refusal
Est. Length: 34'
No. Required: 5 + 1 test pile



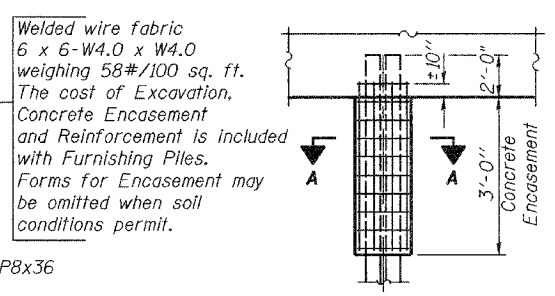
BAR s2(E)



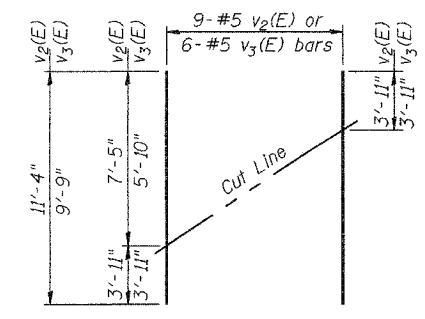
BAR u(E)



PLAN



PILE ENCASEMENT DETAIL



FIELD CUTTING DIAGRAM

Order v2(E) & v3(E) bars full length. Cut as shown and use remainder of bars in opposite face.

SEC. THRU ABUT.

Dimensions are at Rt. L's

BILL OF MATERIAL

Bar	No.	Size	Length	Shape
h(E)	24	#5	11'-1"	—
h1(E)	18	#5	7'-8"	—
h2(E)	3	#5	11'-6"	—
h3(E)	3	#5	17'-6"	—
h4(E)	3	#5	5'-8"	—
h5(E)	2	#5	17'-6"	—
h6(E)	2	#5	17'-10"	—
p(E)	9	#7	17'-6"	—
p1(E)	9	#7	17'-10"	—
s2(E)	36	#5	10'-9"	□
s3(E)	13	#5	7'-11"	□
s4(E)	13	#5	8'-11"	□
s5(E)	7	#5	8'-2"	□
s6(E)	18	#5	9'-10"	□
u(E)	8	#6	7'-3"	—
v1(E)	69	#5	4'-4"	—
v2(E)	9	#5	11'-4"	—
v3(E)	6	#5	9'-9"	—
Structure Excavation			Cu. Yd.	76.0
Concrete Structures			Cu. Yd.	16.6
Reinforcement Bars, Epoxy Coated			Pound	2700
Furnishing Steel Piles HP8x36			Foot	170
Driving Steel Piles			Foot	170
Test Pile Steel HP8x36			Each	1

WEST ABUTMENT
F.A.P. ROUTE 777 SECTION 10B-1
MONTGOMERY COUNTY
STATION 500+44.04
STRUCTURE NO. 068-0505

DESIGNED Daniel F. Zerrusen
CHECKED Stephen M. Ryan
DRAWN R. Doty h.f. duong
CHECKED DFZ/SMR

Feb 3, 2006
EXAMINED Thomas J. Domagala
PASSED Ralph E. Carlson