

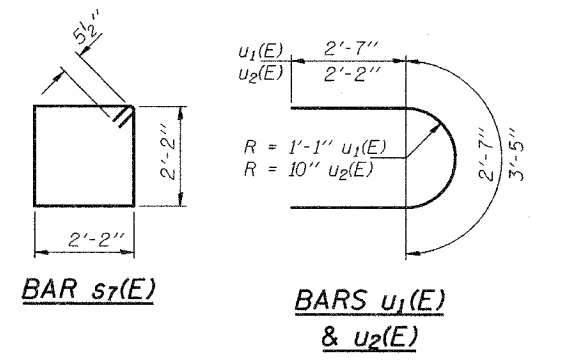
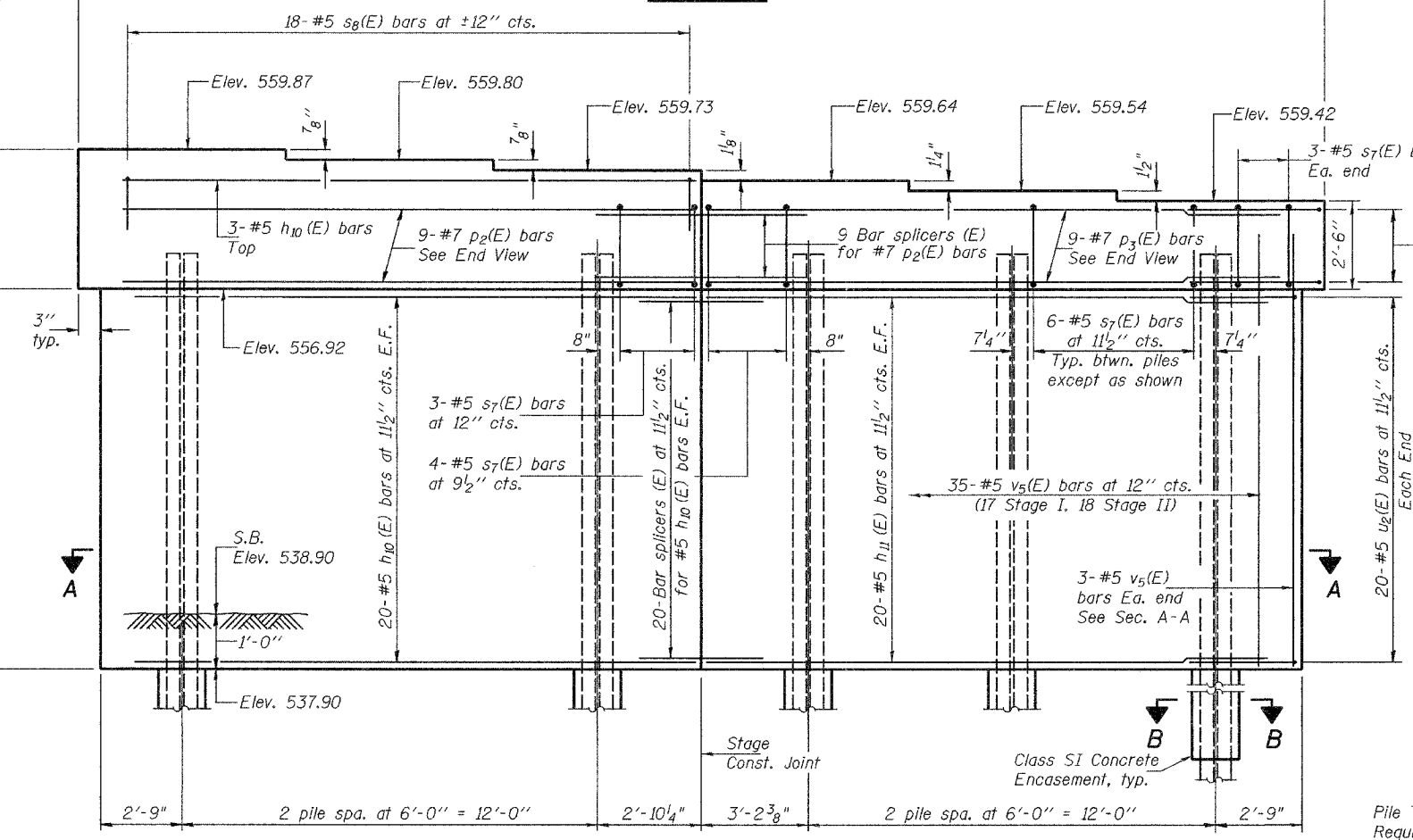
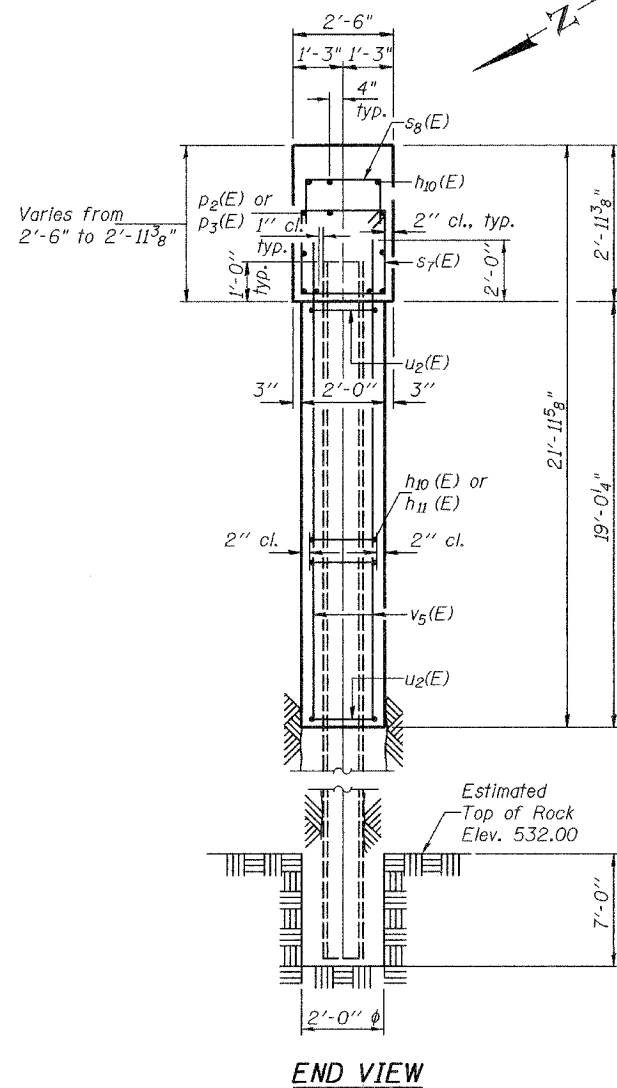
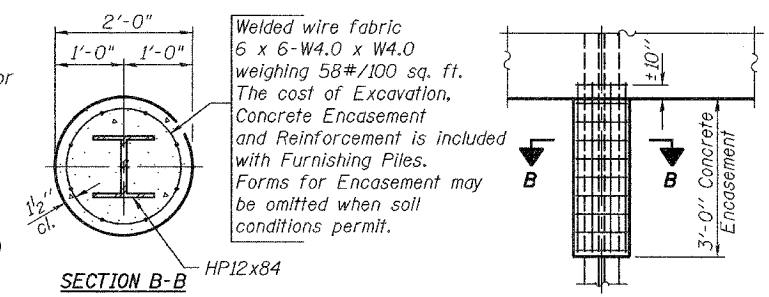
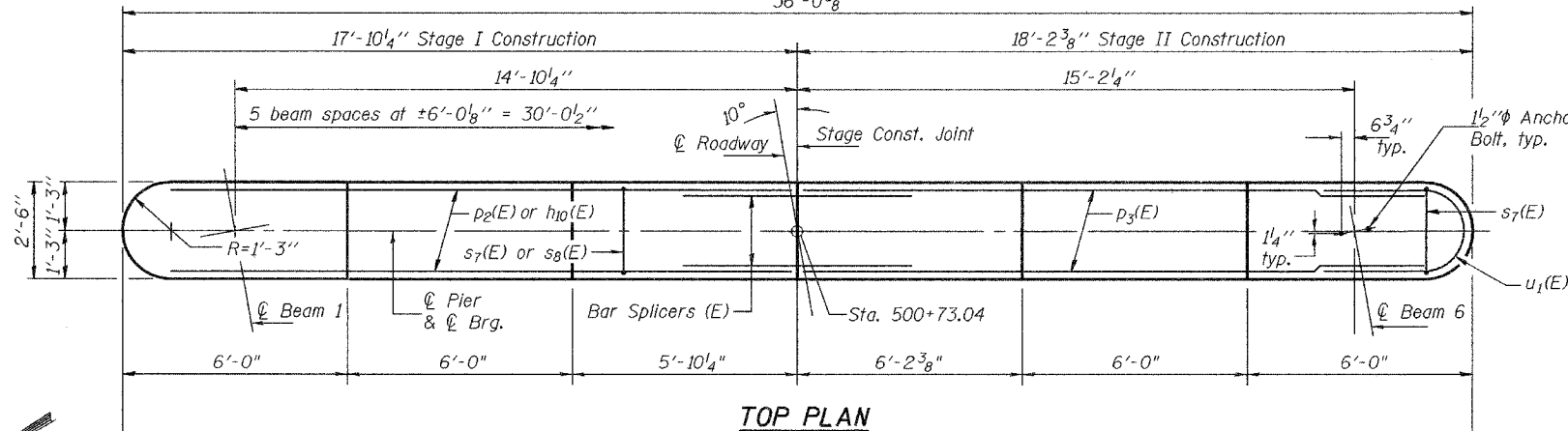
STATE OF ILLINOIS
DEPARTMENT OF TRANSPORTATION

36'-0 5/8"

ROUTE NO.	SECTION	COUNTY	TOTAL SHEETS	SHEET NO.	SHEET NO. 19
FAP 777	10B-1	MONTGOMERY	104	71	23 SHEETS
FED. ROAD DIST. NO. 7	ILLINOIS	FED. AID PROJECT			

Contract #92667

Notes:
Pour steps monolithically with cap.
Reinforcement bars designated (E) shall be epoxy coated.
Space reinforcement in cap to miss anchor bolts.
For anchor bolt installation details see sheet 15 of 23.
For bar splicer details see sheet 20 of 23.

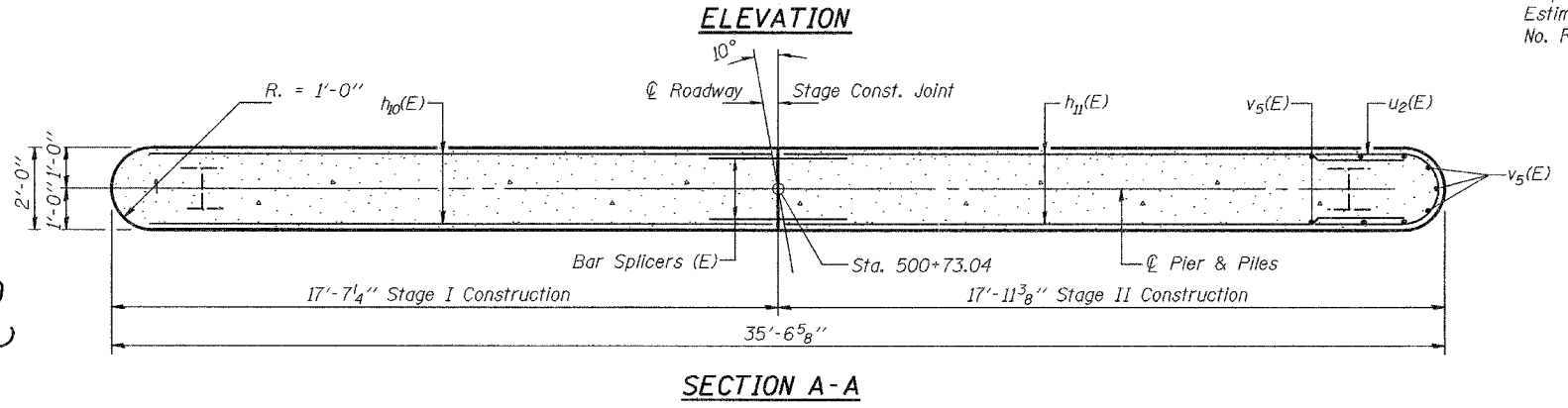


BILL OF MATERIAL

Bar	No.	Size	Length	Shape
h ₁₀ (E)	43	#5	16'-5"	—
h ₁₁ (E)	40	#5	16'-9"	—
p ₂ (E)	9	#7	16'-5"	—
p ₃ (E)	9	#7	16'-9"	—
s ₇ (E)	37	#5	9'-7"	□
s ₈ (E)	18	#5	7'-0"	□
u ₁ (E)	6	#6	8'-7"	U
u ₂ (E)	40	#5	6'-11"	U
v ₅ (E)	76	#5	20'-9"	—
Concrete Structures	Cu. Yd.	58.6		
Reinforcement Bars, Epoxy Coated	Pound	4560		
Furnishing Steel Piles HP12x53	Foot	204		
Structure Excavation	Cu. Yd.	8.8		
Underwater Structure Excavation Protection - Location 2	Each	1		
Setting Piles in Rock	Each	6		

PILE DATA

Pile Type: HP12x53
Required Bearing: Set in Rock
Estimated Length: 34'
No. Required: 6



DESIGNED Daniel F. Zerrusen
CHECKED Stephen M. Ryan
DRAWN R. Doty h.f. duong
CHECKED DFZ/SMR

Feb 3, 2006
EXAMINED *Thomas J. Donagale*
PASSED *Ralph E. Anderson*

PIER 2
F.A.P. ROUTE 777 SECTION 10B-1
MONTGOMERY COUNTY
STATION 500+44.04
STRUCTURE NO. 068-0505