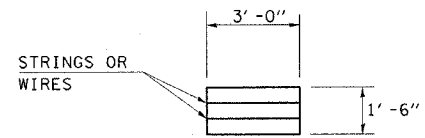
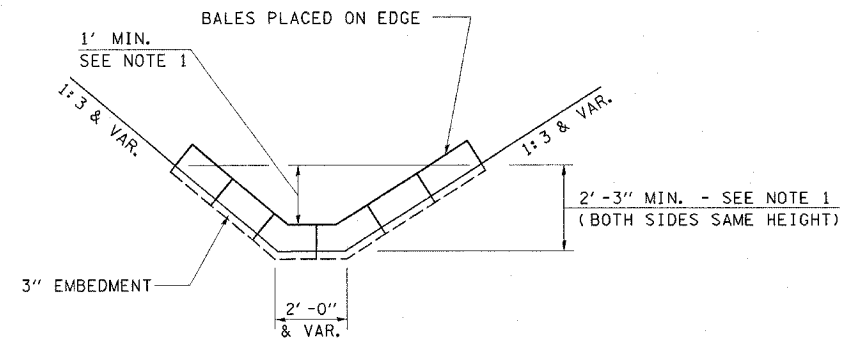


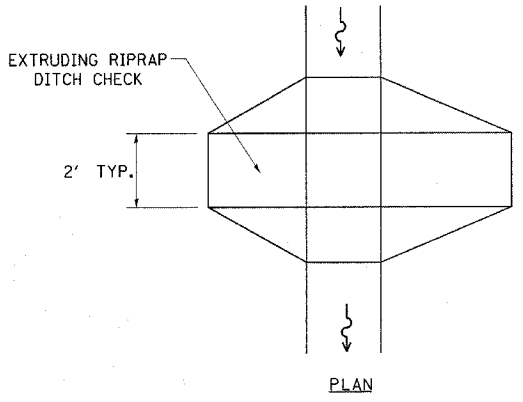
F.A.P. RTE.	SECTION	COUNTY	TOTAL SHEETS	SHEET NO.
177	10(B-1, BR-2)	MONTGOMERY	104	80
STA.		TO STA.		
FED. ROAD DIST. NO.		ILLINOIS FED. AID PROJECT		



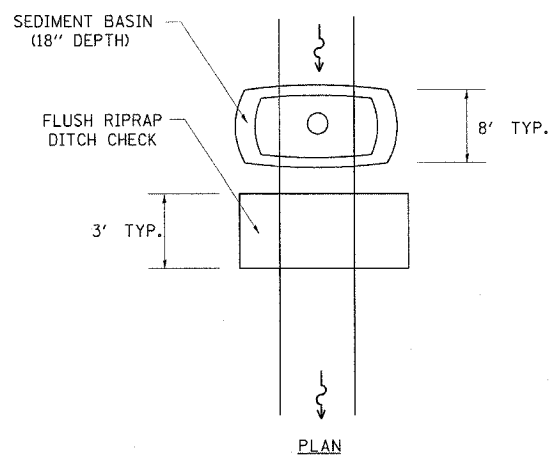
HAY OR STRAW BALE
(TYPICAL ELEVATION)



HAY OR STRAW BALE TEMPORARY DITCH CHECK
(TYPICAL & SEE GENERAL NOTES FOR SUBSTITUTION TO FLUSH RIPRAP DITCH CHECK)

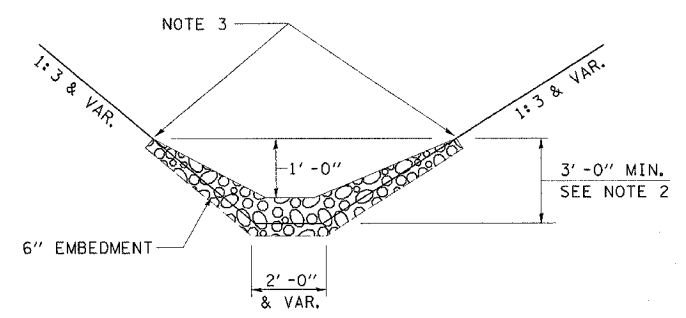


PLAN

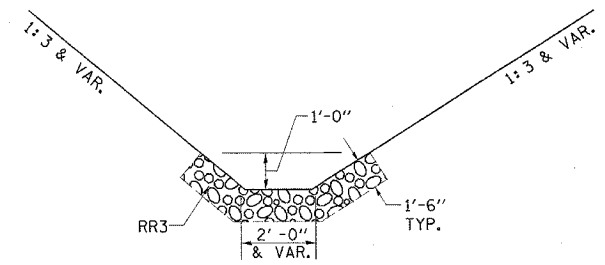


PLAN

- NOTE 1: BALES SHALL EXTEND FAR ENOUGH UP THE SLOPES TO ALLOW 1' OVERTOPPING TO AVOID ERODING AROUND THE EDGES OF THE BALES.
- NOTE 2: RIPRAP SHALL EXTEND FAR ENOUGH UP THE SLOPES TO ALLOW 1' OVERTOPPING TO AVOID ERODING AROUND THE EDGES OF THE RIPRAP.
- NOTE 3: ENDS SHALL BE TIED INTO SLOPES.



ELEVATION
OPTION 1
(EXTRUDING DITCH CHECK)
RECOMMENDED FOR AREAS
W/ RIPRAP DITCH LINING



ELEVATION
OPTION 2
(FLUSH DITCH CHECK)
RECOMMENDED FOR AREAS
W/O RIPRAP DITCH LINING

STONE DUMPED RIPRAP DITCH CHECK
(TYPICAL & OPTIONS 1 & 2
AS DIRECTED BY THE ENGINEER)

REVISIONS	
NAME	DATE

ILLINOIS DEPARTMENT OF TRANSPORTATION
STORM WATER POLLUTION
PREVENTION PLAN
FAP 777 RTE. 185
10(B-1, BR-2)
MONTGOMERY COUNTY

SCALE: VERT. _____
HORIZ. _____

DATE _____ DRAWN BY R.T.S.
CHECKED BY _____

PLOT DATE = 1/9/2006
FILE NAME = c:\projects\ed53891\shp\p28.dgn
PLOT SCALE = 20.0000 / IN.
USER NAME = sligler