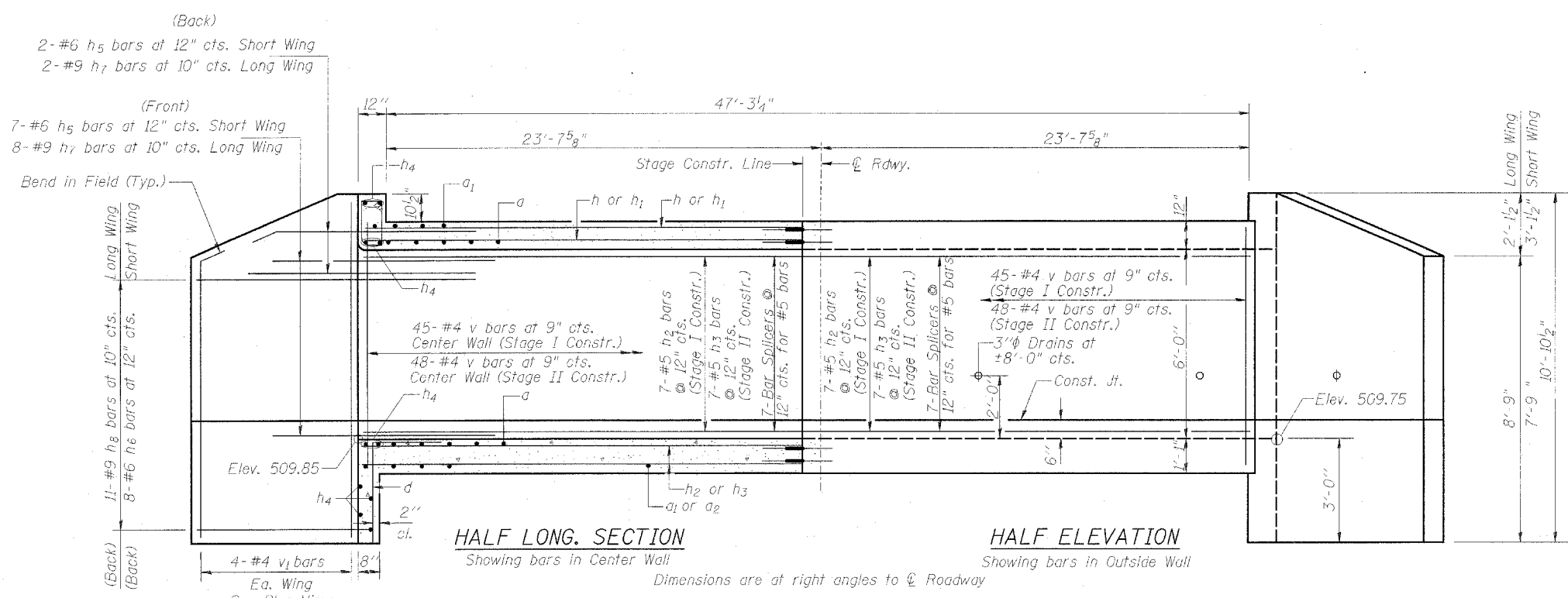
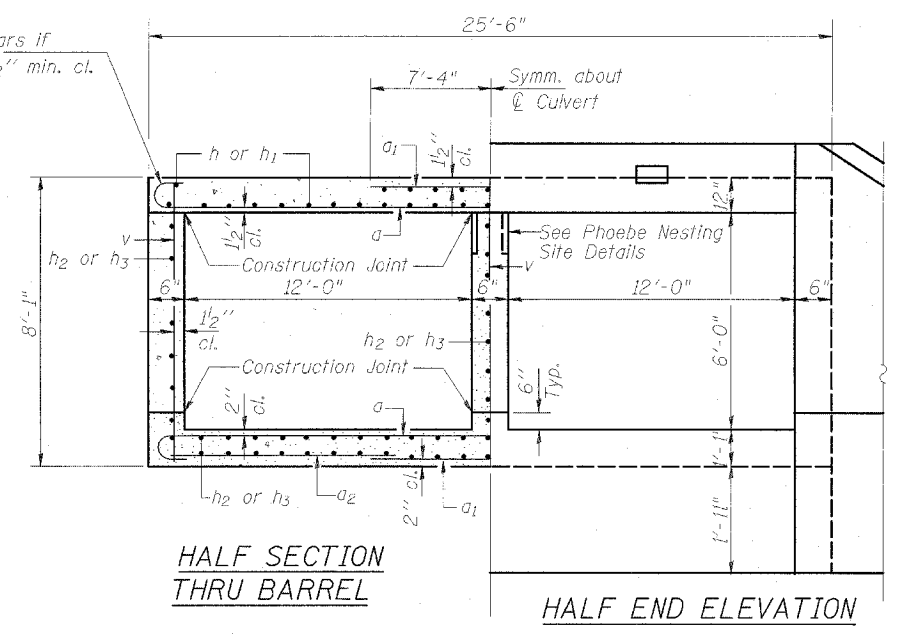


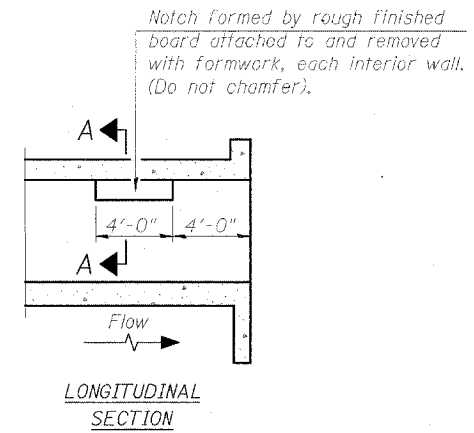
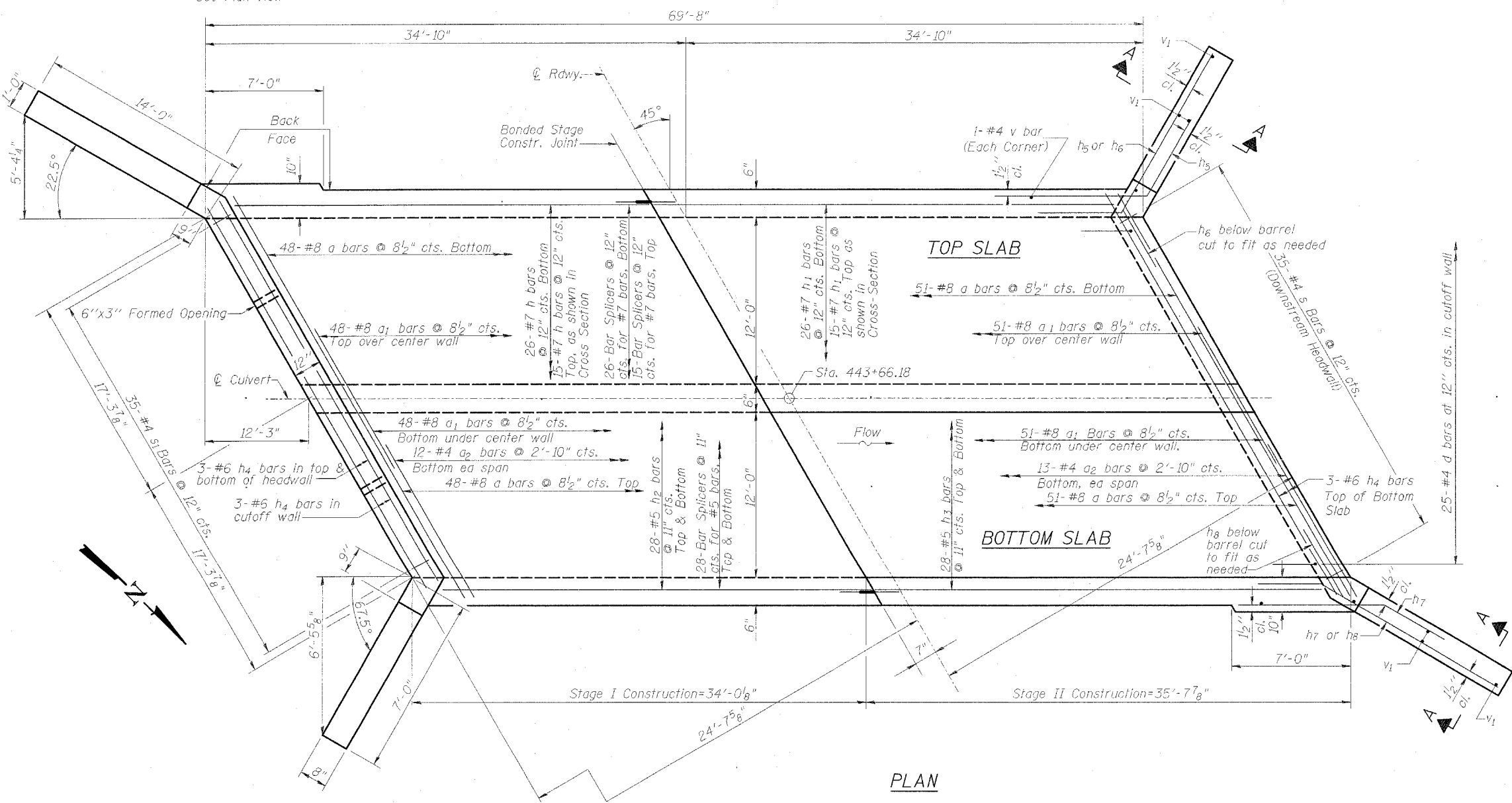
Contract #94778



Tilt hook of a bars if necessary for 1 1/2" min. cl.



Notes: A distance of half the length of the wingwall but not less than six feet of the barrel shall be poured monolithically with the wingwalls.
Bars indicated thus 12x4 #5 etc. indicates 12 lines of bars with 4 lengths per line.



PHOEBE NESTING SITE DETAILS (Downstream End Only)

REINFORCING PLAN AND ELEVATION	
U.S. ROUTE 51 OVER STEVE CREEK F.A.P. ROUTE 322 - SECTION (24B)B-1 FAYETTE COUNTY STATION 443+66.18 STRUCTURE NO. 026-2018	
CHAMPAIGN, ILLINOIS CHICAGO, ILLINOIS INDIANAPOLIS, INDIANA EVANSVILLE, INDIANA KENOSHA, WISCONSIN SPRING GREEN, WISCONSIN	
Clark Dietz	
DESIGNED BY: S.M.M.	PROJECT NO: 122286
DRAWN BY: M.E.W.	DATE: 4-25
CHECKED BY: M.M.L.	
APPROVED BY: S.C.J.	
ACTIVITY: DETAILS	

REVISIONS	
NAME	DATE

NOTE: DIMENSIONAL DATA IS NOT TO BE OBTAINED BY SCALING ANY PORTION OF THIS DRAWING.

DRAWING NUMBER