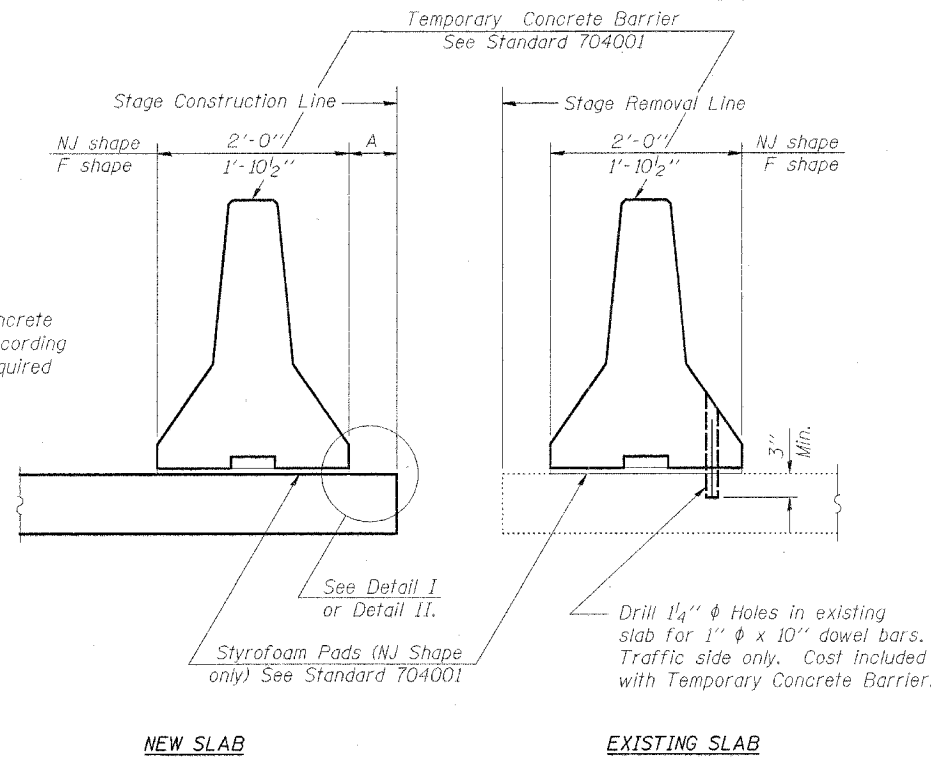


STATE OF ILLINOIS  
DEPARTMENT OF TRANSPORTATION

ROUTE NO.	SECTION	COUNTY	TOTAL SHEETS	SHEET NO.
FAP Rte. 327	13B-2	Marion	78	20
FED. ROAD DIST. NO. 7	ILLINOIS	FED. AID PROJECT		

SHEET NO. 3  
17 SHEETS

Contract #94964

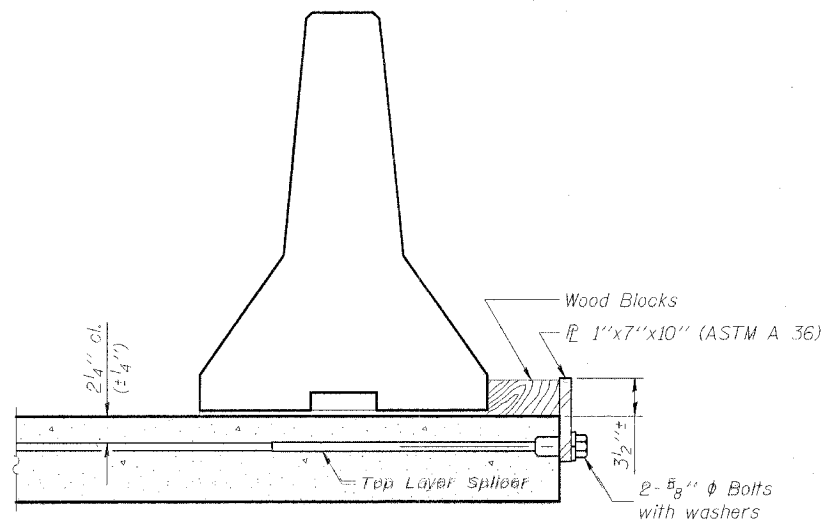


When "A" is 3'-6" or less, the temporary concrete barrier shall be anchored to the new slab according to Detail I or Detail II. No anchorage is required when "A" is greater than 3'-6".

**NOTES**

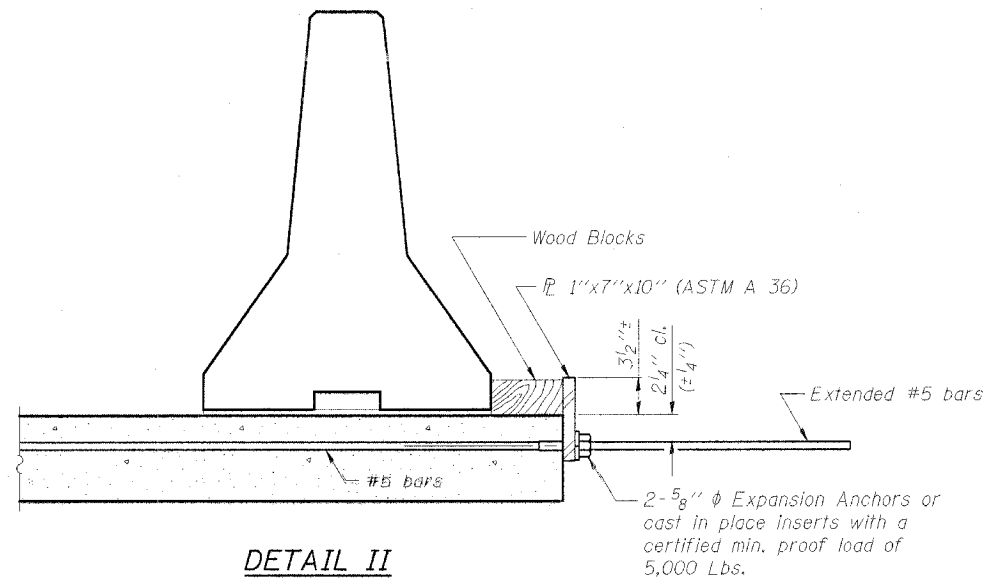
- Detail I - With Bar Splicer or Couplers:**  
Connect one (1) 1"x7"x10" steel  $\bar{L}$  to the top layer of couplers with 2-5/8"  $\phi$  bolts screwed to coupler at approximate  $\bar{C}$  of each barrier panel.
- Detail II - With Extended Reinforcement Bars:**  
Connect one (1) 1"x7"x10" steel  $\bar{L}$  to the concrete slab with 2-5/8"  $\phi$  Expansion Anchors or cast in place inserts spaced between the top layer of reinforcement at approximate  $\bar{C}$  of each barrier panel.
- Cost of anchorage is included with Temporary Concrete Barrier.

**SECTIONS THRU SLAB**



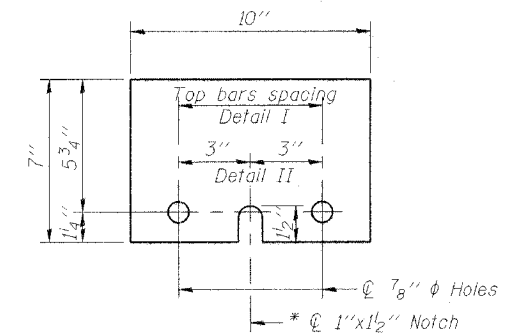
**DETAIL I**

The 1"x7"x10" Plate shall not be removed until Stage II Construction forms and reinforcement bars are in place.



**DETAIL II**

The 1"x7"x10" Plate shall not be removed until Stage II Construction forms and all reinforcement bars are in place and the concrete is ready to be placed.



**1"x7"x10"**

\* Required only with Detail II

DESIGNED	
CHECKED	
DRAWN	PRT
CHECKED	MAB

R-27 9-01-03

**HORNER & SHIFRIN, INC.**  
ENGINEERS ■ ARCHITECTS ■ PLANNERS

**TEMPORARY CONCRETE BARRIER  
FOR STAGE CONSTRUCTION  
F.A.P. ROUTE 327 - SEC. 13B-2  
MARION COUNTY  
STATION 336+33.00  
STRUCTURE NO. 061-0090**