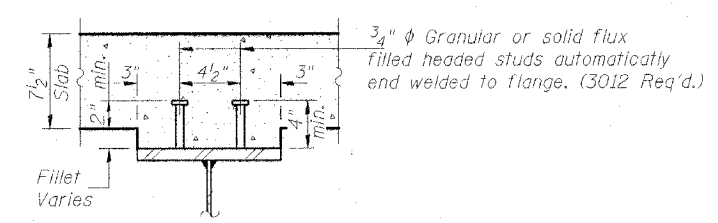
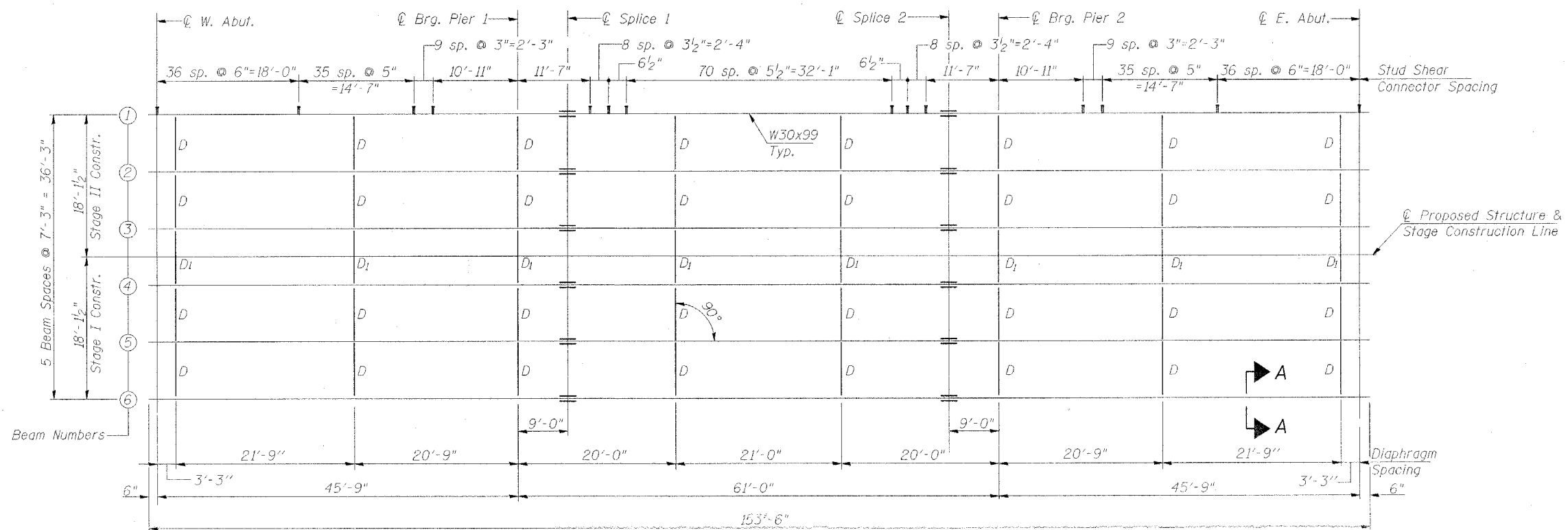
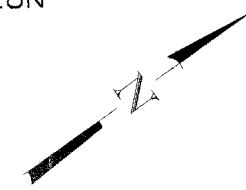


STATE OF ILLINOIS
DEPARTMENT OF TRANSPORTATION

ROUTE NO.	SECTION	COUNTY	TOTAL SHEETS	SHEET NO.	SHEET NO. 9
FAP Rte. 327	13B-2	MARION	78	26	17 SHEETS
FED. ROAD DIST. NO. 7	ILLINOIS	FED. AID PROJECT			

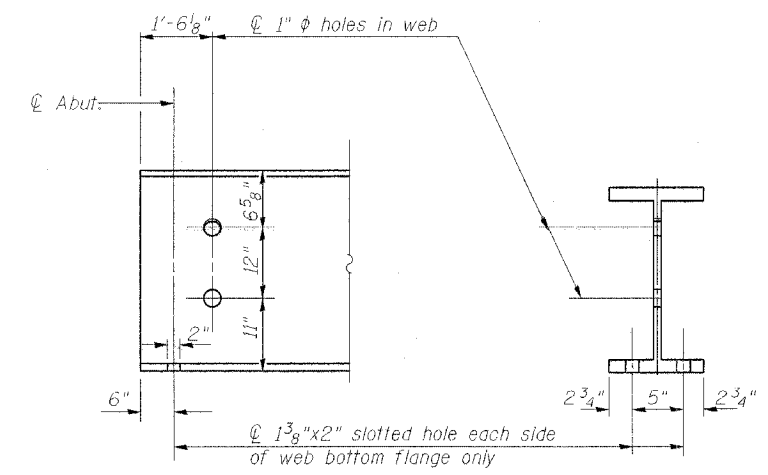
Contract #94964



SECTION A-A

FRAMING PLAN

All beams and splice material are M270 Grade 50 and shall meet Notch Toughness Requirements.



END OF BEAM DETAIL
(Stud shear connectors shown)

***TOP OF BEAM ELEVATIONS**

Location	Bm 1	Bm 2	Bm 3	Bm 4	Bm 5	Bm 6
W. Abutment	469.704	469.850	469.963	469.963	469.850	469.704
Brg. Pier 1	469.567	469.712	469.825	469.825	469.712	469.567
Splice 1	469.538	469.683	469.796	469.796	469.683	469.538
Splice 2	469.452	469.597	469.710	469.710	469.597	469.452
Brg. Pier 2	469.441	469.586	469.699	469.699	469.586	469.441
Brg. E. Abut.	469.399	469.545	469.658	469.658	469.545	469.399

*Elevations are for fabrication only and do not include Dead Load Deflections

Work this sheet with sheet 10 of 17.

DESIGNED	-
CHECKED	-
DRAWN	TFG
CHECKED	CME/BD/MCB

COOMBE-BLOXDORF, P.C.
Engineers/Land Surveyors
Springfield, Illinois
Design Firm License No. 184-002703

STEEL FRAMING PLAN
F.A.P. ROUTE 327 - SEC. 13B-2
MARION COUNTY
STATION 336+33.00
STRUCTURE NO. 061-0090