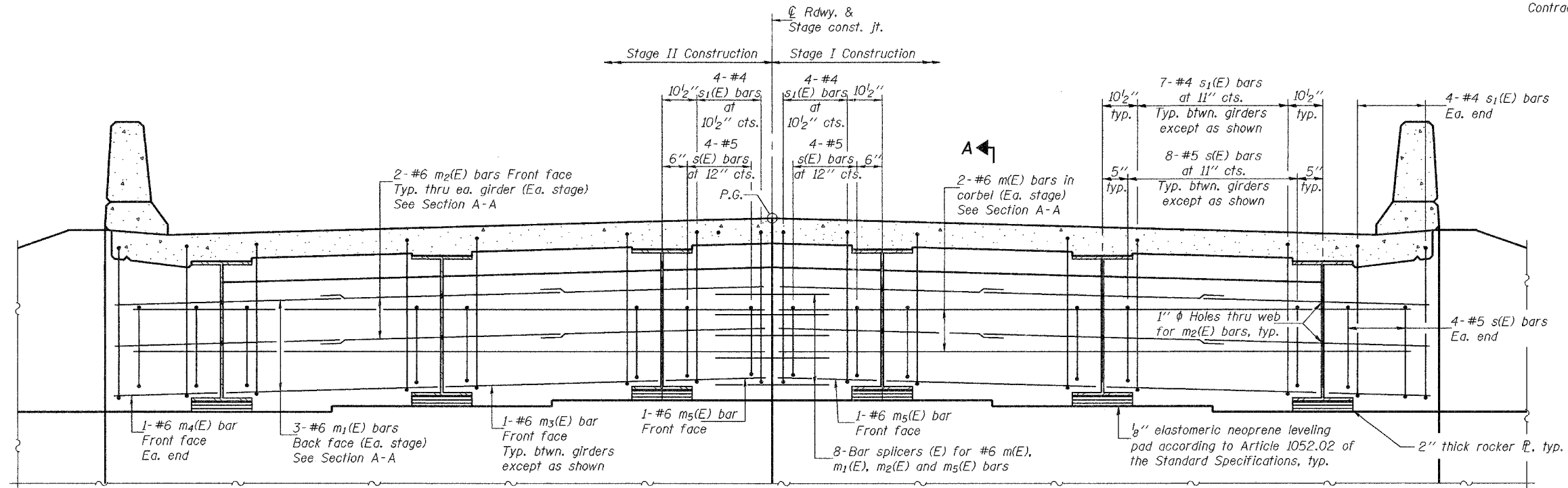


STATE OF ILLINOIS
DEPARTMENT OF TRANSPORTATION

ROUTE NO.	SECTION	COUNTY	TOTAL SHEETS	SHEET NO.	SHEET NO. 8 17 SHEETS
FAP 327	13B-1 & 13B-2	MARION	78	42	
FED. ROAD DIST. NO. 7	ILLINOIS	FED. AID PROJECT-			

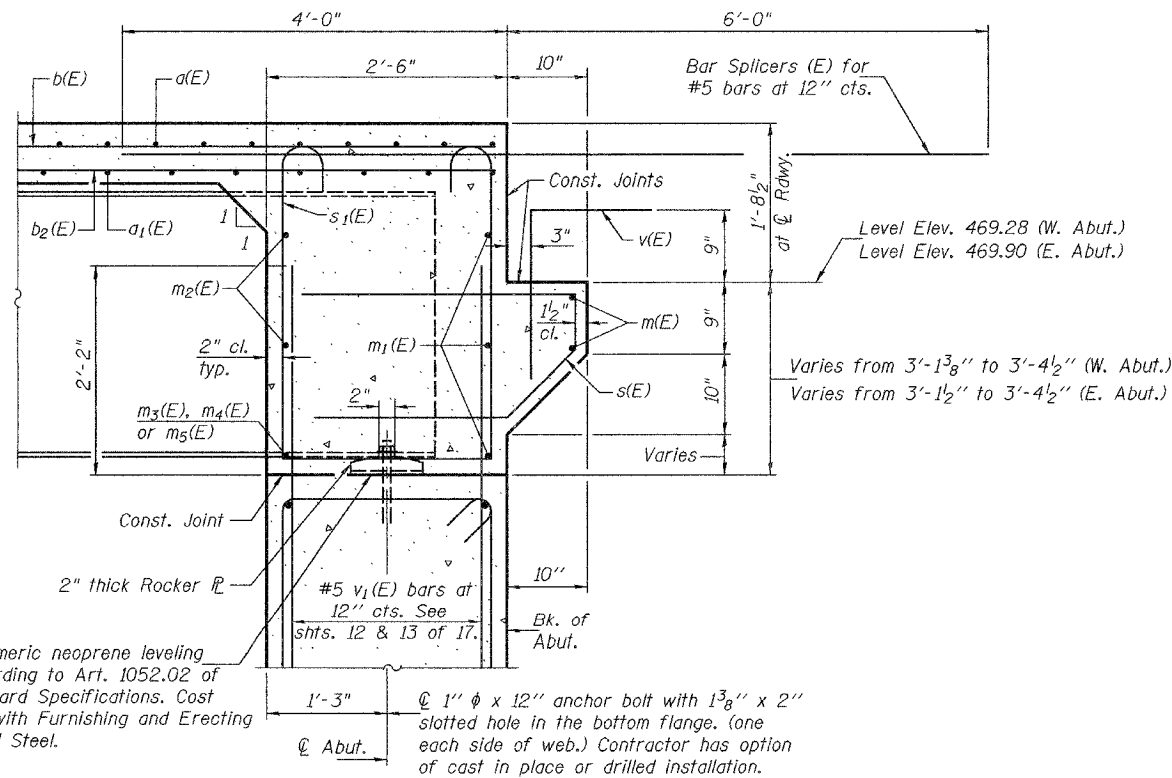
Contract No. 94964



DIAPHRAGM ELEVATION AT EAST ABUTMENT

(Looking east - West Abutment similar)

Notes: Reinforcement bars in diaphragm are billed with superstructure on sheet 7 of 17.
Concrete in diaphragm is included with Concrete Superstructure on sheet 7 of 17.
For details of bars $s(E)$ & $s_1(E)$ see sheet 7 of 17.
See sheet 10 of 17 for holes thru web for $m_2(E)$ bars.
For anchor bolt details see sheet 11 of 17.
For bar splicer (E) details see sheet 15 of 17.



MIN. BAR LAP

#6 bar = 2'-9"

DESIGNED	R.L.M.
CHECKED	G.R.A.
DRAWN	h.t. duong
CHECKED	R.L.M./G.R.A.

EXAMINED	Feb 2, 2006
PASSED	Thomas J. Damgalak ENGINEER OF BRIDGE DESIGN
	Ralph E. Anderson ENGINEER OF BRIDGES AND STRUCTURES

SECTION A-A

DIAPHRAGM DETAILS
F.A.P. RTE. 327 - SEC. 13B-1 & 13B-2
MARION COUNTY
STATION 375+53.00
STRUCTURE NO. 061-0091