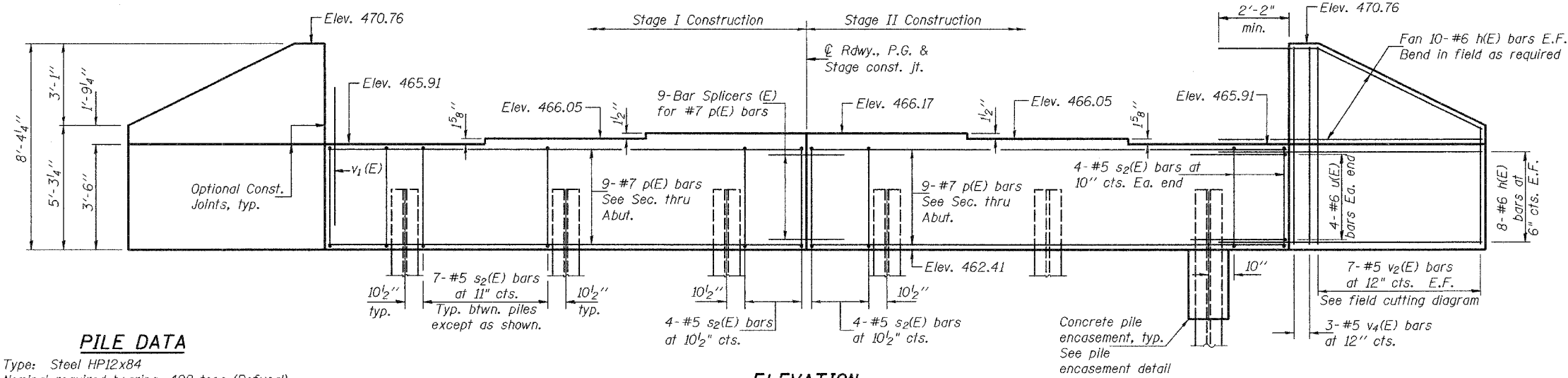


STATE OF ILLINOIS
DEPARTMENT OF TRANSPORTATION

ROUTE NO.	SECTION	COUNTY	TOTAL SHEETS	SHEET NO.	SHEET NO. 12 17 SHEETS
FAP 327	13B-1 & 13B-2	MARION	78	46	
FED. ROAD DIST. NO. 7	ILLINOIS	FED. AID PROJECT			

Contract No. 94964

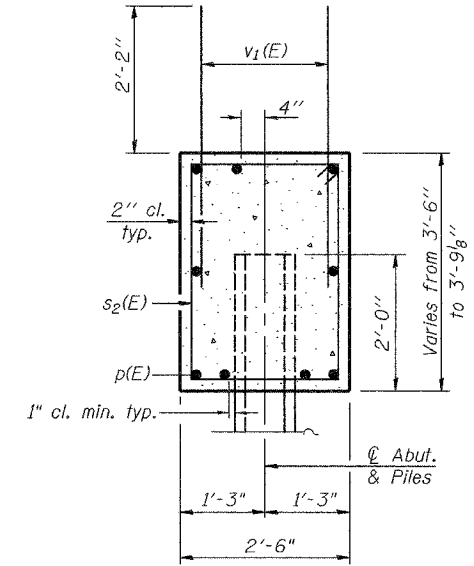
Notes:
Pour steps monolithically with cap.
Reinforcement bars designated (E) shall be epoxy coated.
For anchor bolt installation details see sheet 11 of 17.
For bar splicer assembly details see sheet 15 of 17.



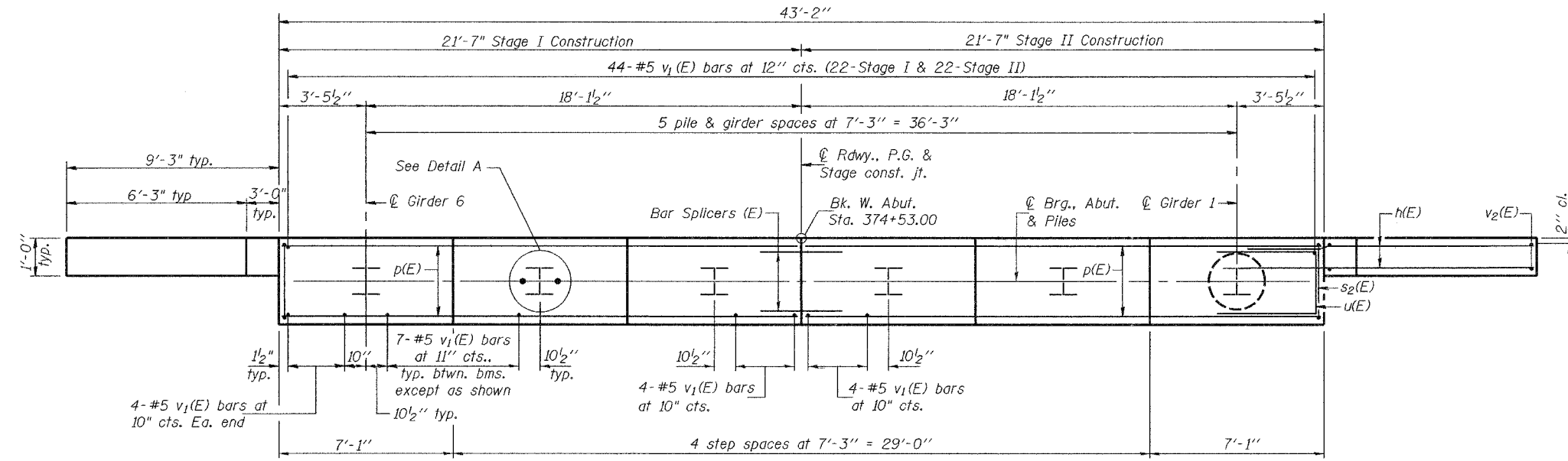
ELEVATION
(Looking West)

PILE DATA

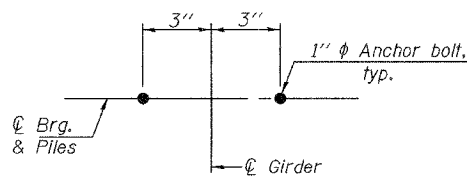
Type: Steel HP12x84
Nominal required bearing: 408 tons (Refusal)
Nominal design capacity: 241 tons
Est. Length: 89'
No. Required: 5 + 1 test pile



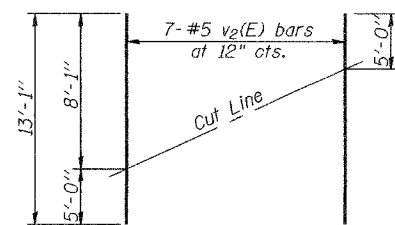
SEC. THRU ABUT.



PLAN

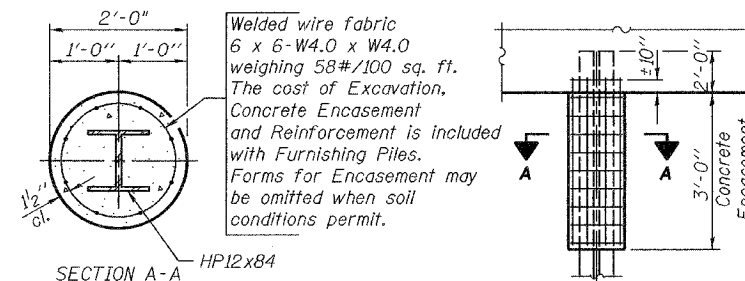


DETAIL A

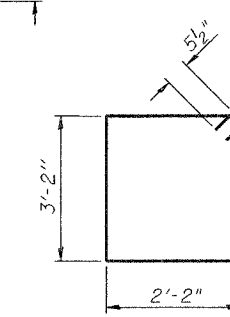


FIELD CUTTING DIAGRAM

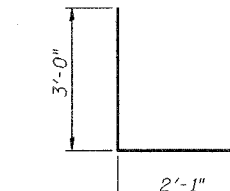
Order v2(E) full length. Cut as shown and use remainder of bars in opposite face.



PILE ENCASEMENT DETAIL



BAR s2(E)



BAR u(E)

BILL OF MATERIAL

Bar No.	Size	Length	Shape
h(E)	#6	12'-2"	
p(E)	#7	21'-4"	
s2(E)	#5	11'-7"	
u(E)	#6	8'-1"	
v1(E)	#5	4'-4"	
v2(E)	#5	13'-1"	
v4(E)	#5	8'-1"	
Concrete Structures			Cu. Yd. 19.5
Reinforcement Bars, Epoxy Coated			Pound 3420
Structure Excavation			Cu. Yd. 101.0
Furnishing Steel Piles HP12x84			Foot 445
Driving Steel Piles			Foot 445
Test Pile Steel HP12x84			Each 1

WEST ABUTMENT
F.A.P. RTE. 327 - SEC. 13B-1 & 13B-2
MARION COUNTY
STATION 375+53.00
STRUCTURE NO. 061-0091

DESIGNED	R.L.M.
CHECKED	G.R.A.
DRAWN	h.t. duong
CHECKED	R.L.M./G.R.A.

Feb 2, 2006
EXAMINED *Thomas J. Donagale*
PASSED *Ralph E. Anderson*
ENGINEER OF BRIDGE DESIGN
ENGINEER OF BRIDGES AND STRUCTURES