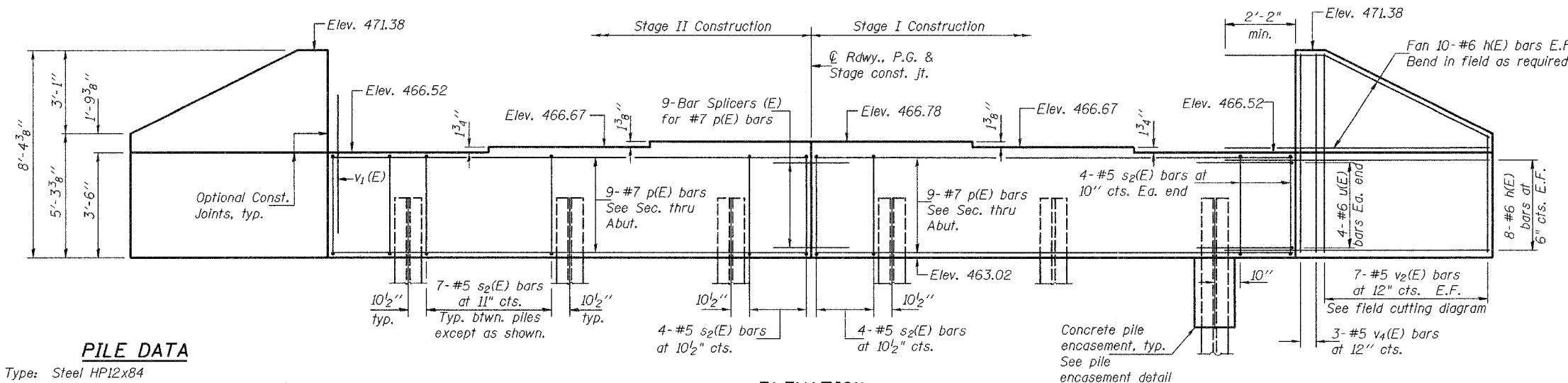


STATE OF ILLINOIS
DEPARTMENT OF TRANSPORTATION

ROUTE NO.	SECTION	COUNTY	SHEET	SHEET	SHEET NO. 13
FAP 327	13B-1 & 13B-2	MARION	78	47	17 SHEETS
FED. ROAD DIST. NO. 7	ILLINOIS	FED. AID PROJECT-			

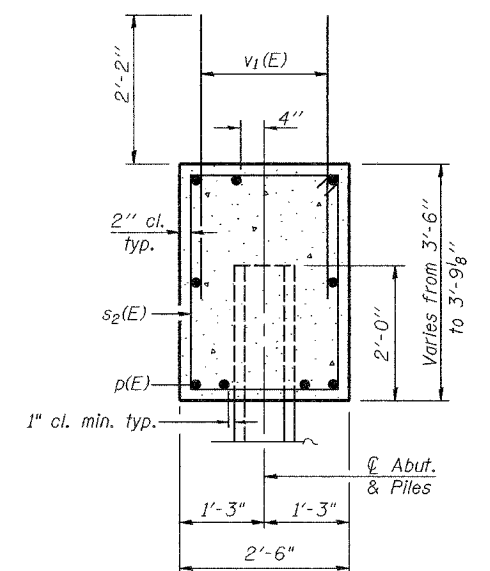
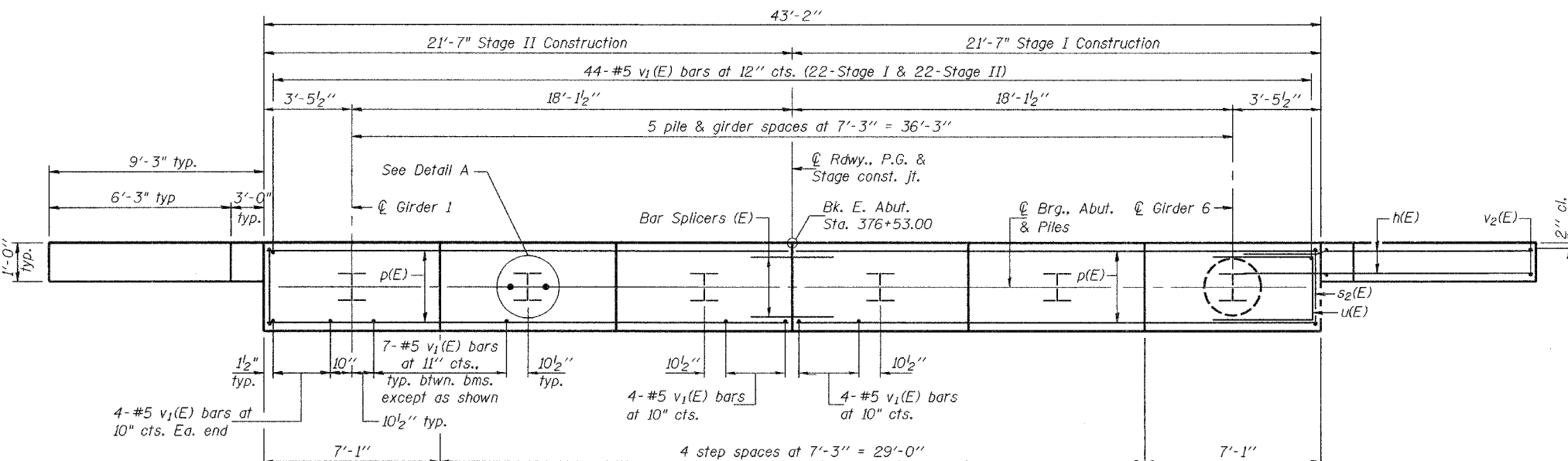
Contract No. 94964

Notes:
Pour steps monolithically with cap.
Reinforcement bars designated (E) shall be epoxy coated.
For anchor bolt installation details see sheet 11 of 17.
For bar splicer assembly details see sheet 15 of 17.



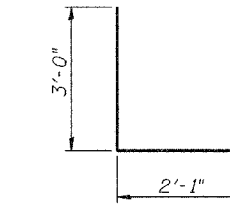
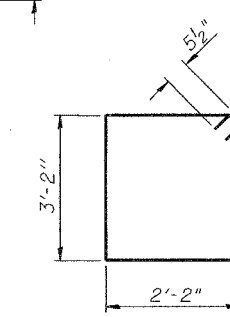
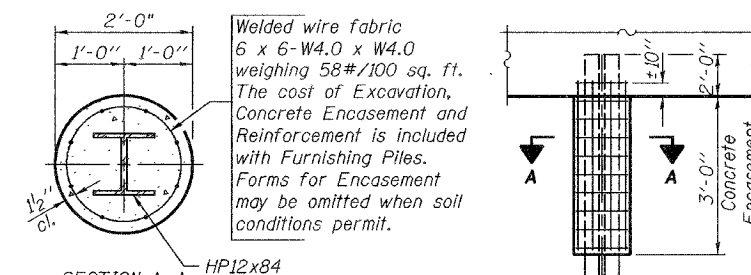
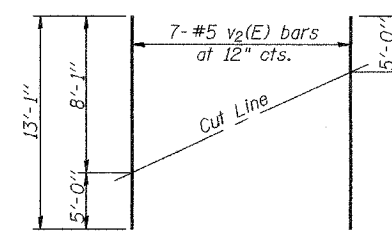
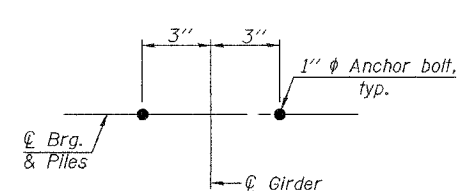
PILE DATA

Type: Steel HP12x84
Nominal required bearing: 414 tons (Refusal)
Nominal design capacity: 250 tons
Est. Length: 81'
No. Required: 5 + 1 test pile



BILL OF MATERIAL

Bar	No.	Size	Length	Shape
h(E)	72	#6	12'-2"	
p(E)	18	#7	21'-4"	
s ₂ (E)	44	#5	11'-7"	□
u(E)	8	#6	8'-1"	□
v ₁ (E)	88	#5	4'-4"	
v ₂ (E)	14	#5	13'-1"	
v ₄ (E)	12	#5	8'-1"	
Concrete Structures		Cu. Yd.	19.5	
Reinforcement Bars, Epoxy Coated		Pound	3420	
Structure Excavation		Cu. Yd.	101.0	
Furnishing Steel Piles HP12x84		Foot	405	
Driving Steel Piles		Foot	405	
Test Pile Steel HP12x84		Each	1	



DESIGNED	R.L.M.
CHECKED	G.R.A.
DRAWN	h.t. duong
CHECKED	R.L.M./G.R.A.

EXAMINED *Thomas J. Domagala*
ENGINEER OF BRIDGE DESIGN
PASSED *Ralph E. Anderson*
ENGINEER OF BRIDGES AND STRUCTURES

Feb 2, 2006

FIELD CUTTING DIAGRAM
Order v₂(E) full length. Cut as shown and use remainder of bars in opposite face.

PILE ENCASEMENT DETAIL

EAST ABUTMENT
F.A.P. RTE. 327 - SEC. 13B-1 & 13B-2
MARION COUNTY
STATION 375+53.00
STRUCTURE NO. 061-0091