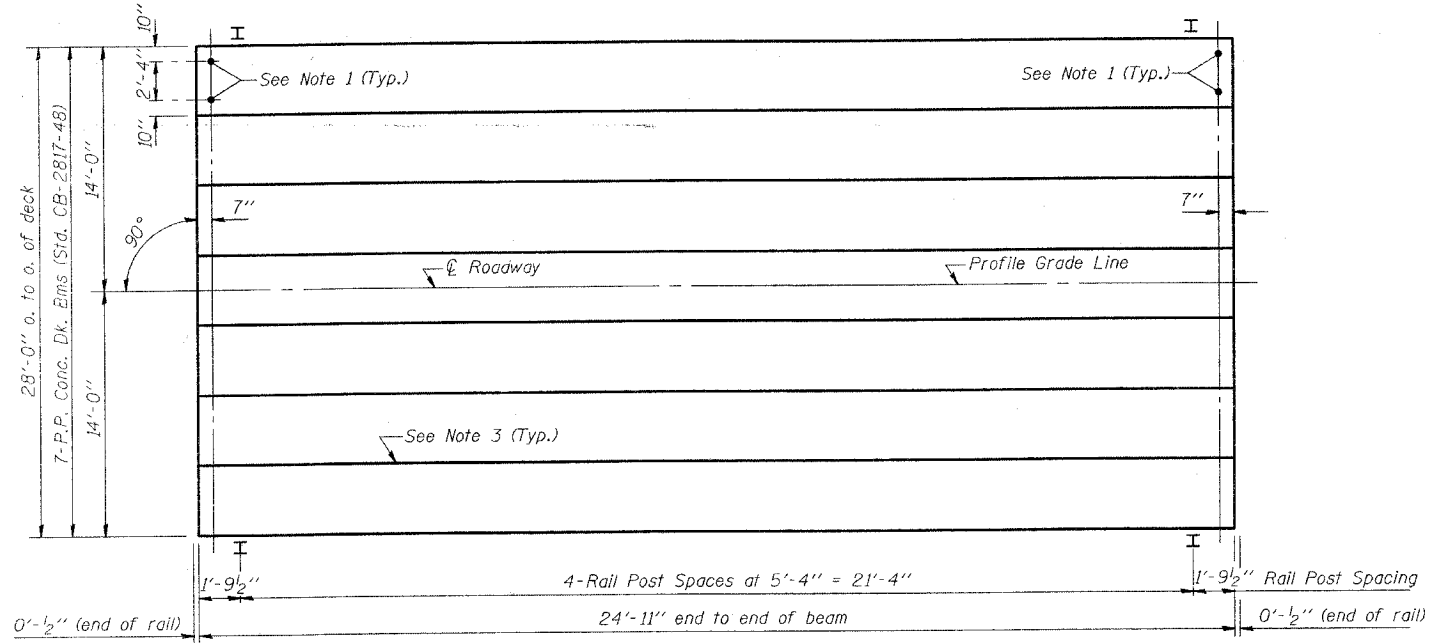
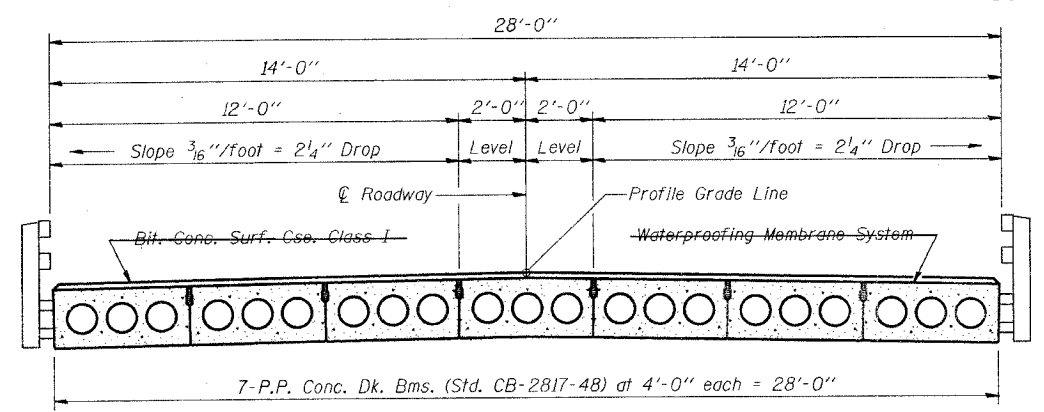


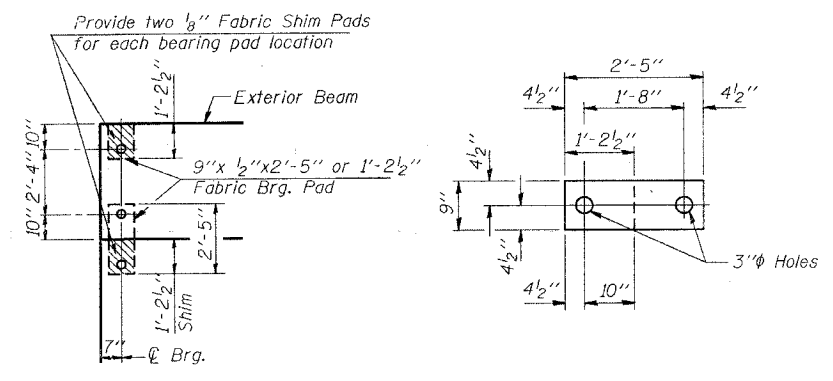
TYPICAL ELEVATIONS



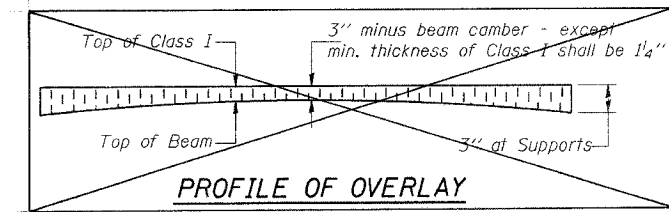
PLAN



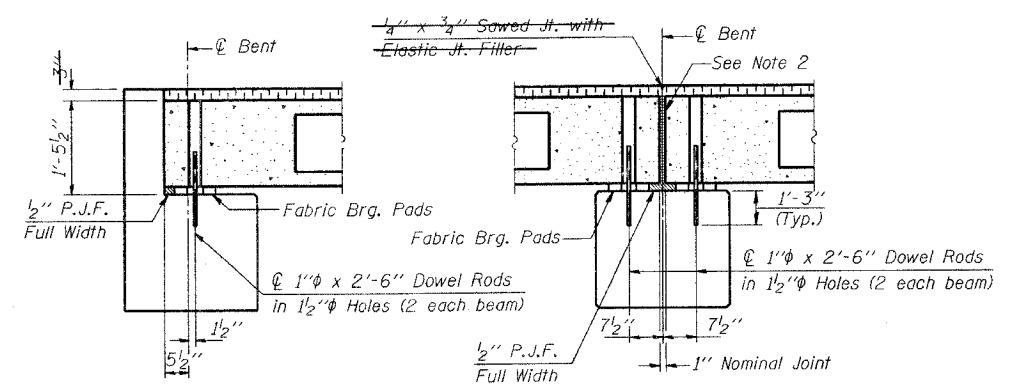
CROSS SECTION



1/2" FABRIC BRG. PAD DETAILS



PROFILE OF OVERLAY



SECTION AT ABUTS.
(Along centerline Beams)

SECTION AT PIERS
(Along centerline Beams)

NOTES

1. After beams have been erected, holes shall be drilled into substructure and anchor dowels placed. Dowel holes shall be filled with non-shrink grout to top of beam and allowed to cure min. 24 hrs. prior to grouting the shear keys.
2. Nominal 1" joint at centerline Pier shall be filled with non-shrink grout.
3. Longitudinal keys shall be grouted. WITH NON-SHRINK GROUT.

QUANTITIES FOR ONE SPAN

P.P. Conc. Dk. Bm. 17" Dp.	700 Sq. Ft.
Steel Railing	50 Ft.
Bit. Conc. Surf. Cso. Class I	12.4 Tons
Waterproofing Membrane System	77.8 Sq. Yds.

P.P.C. DECK BEAM SUPERSTRUCTURE			
28' RDWY.	17" BMS.	25' SPAN	0° SKEW
STANDARD CS-2817-25			

Illinois Department of Transportation
 PASSED NOVEMBER 1, 1995
 Engineer of Bridge Design
 APPROVED NOVEMBER 1, 1995
 Engineer of Bridges and Structures