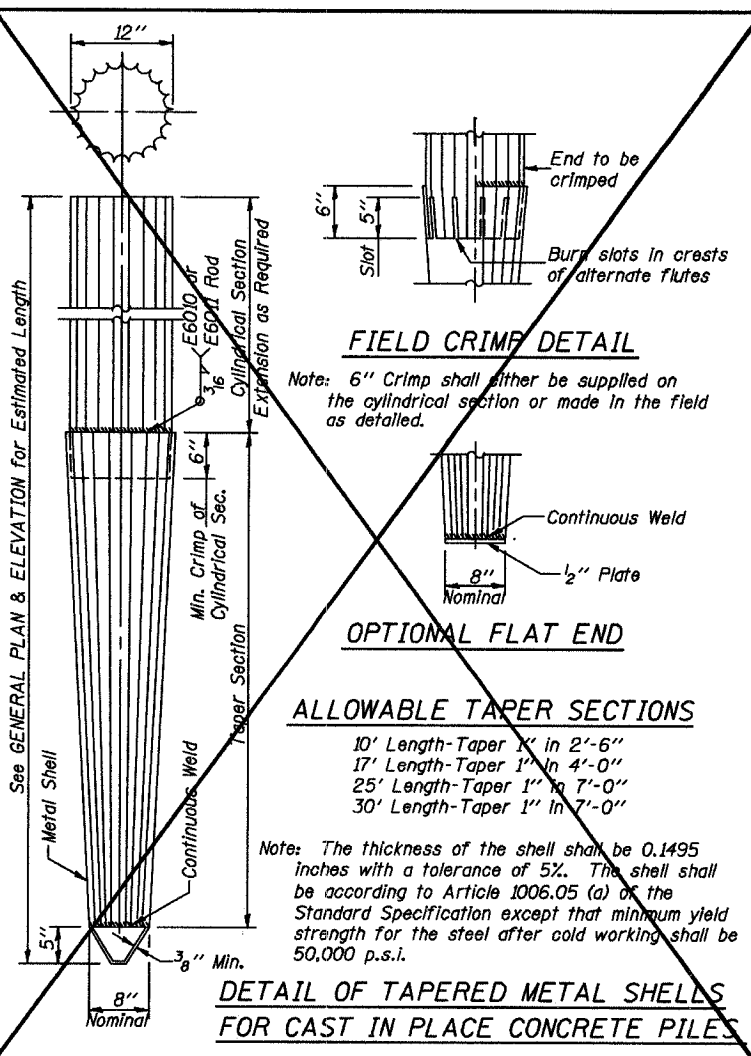
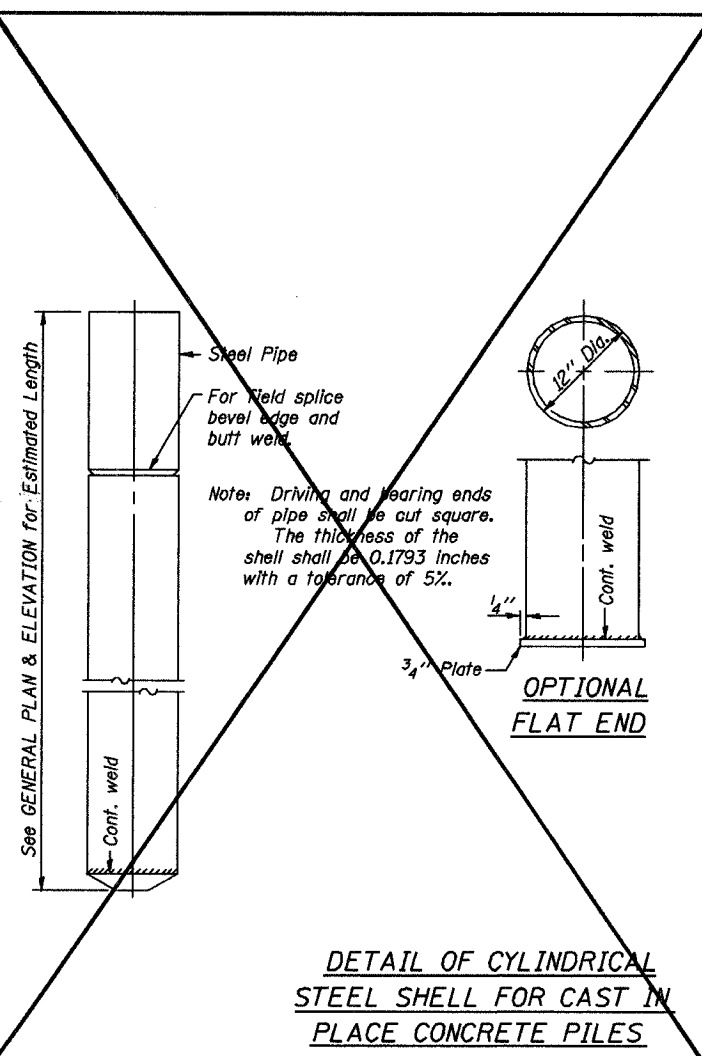


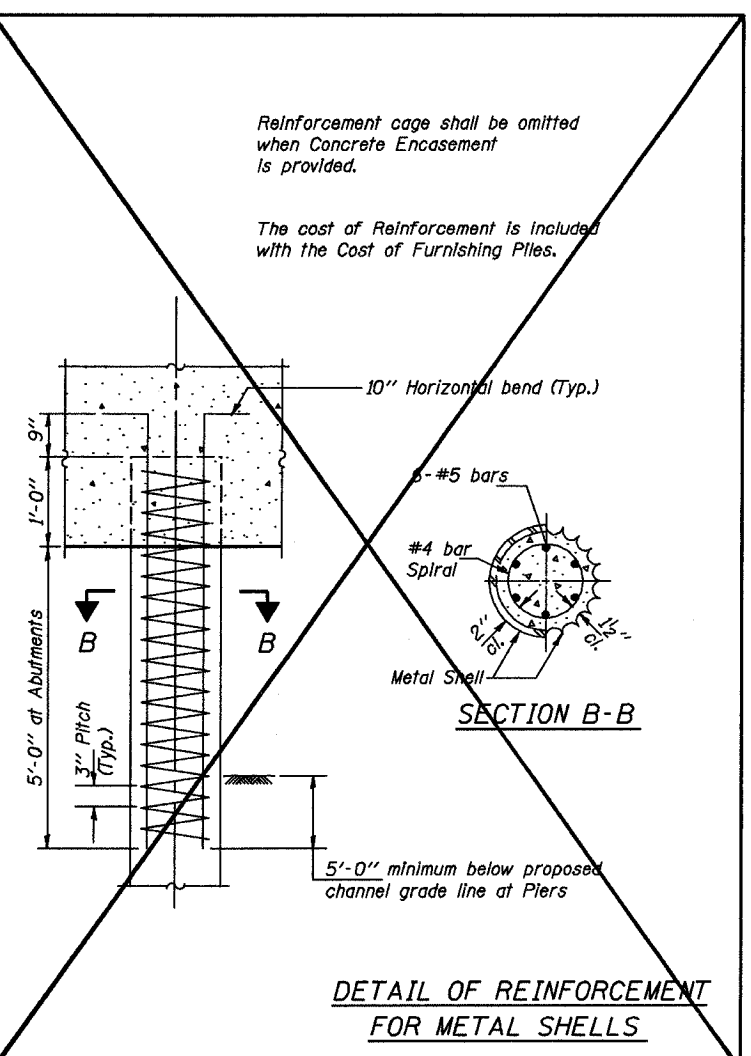
DETAIL OF PRECAST CONCRETE PILES



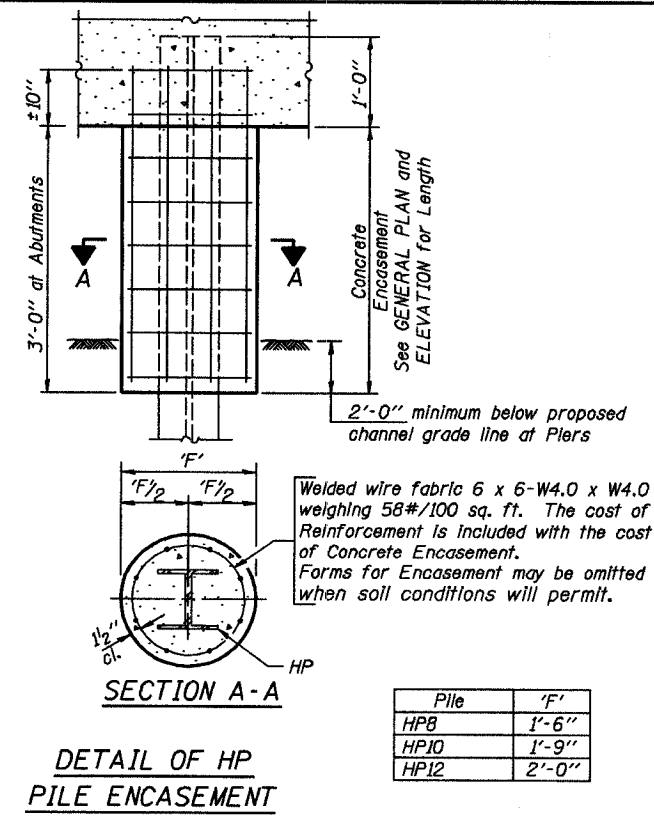
DETAIL OF TAPERED METAL SHELLS FOR CAST IN PLACE CONCRETE PILES



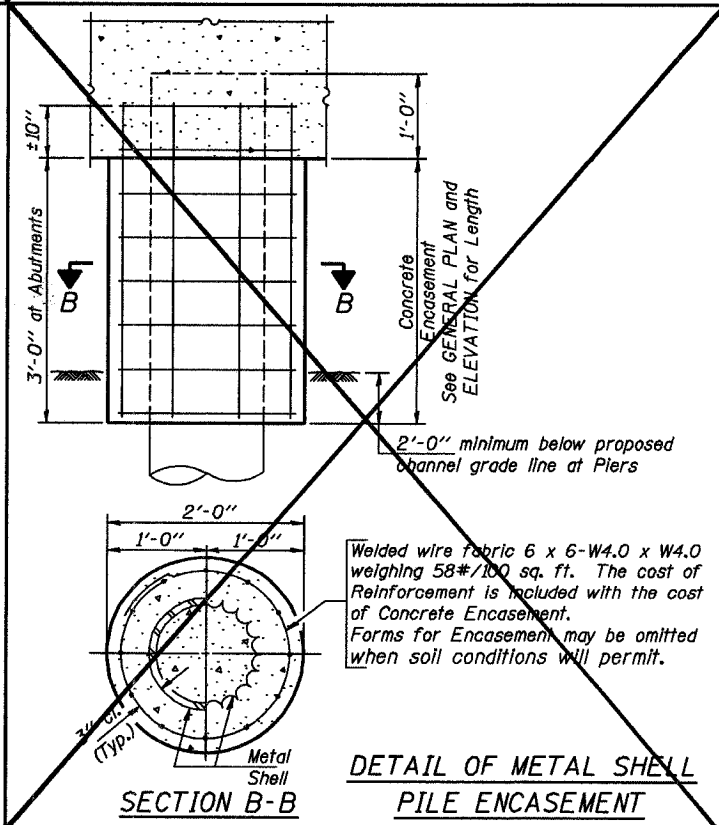
DETAIL OF CYLINDRICAL STEEL SHELL FOR CAST IN PLACE CONCRETE PILES



DETAIL OF REINFORCEMENT FOR METAL SHELLS



DETAIL OF HP PILE ENCASEMENT



DETAIL OF METAL SHELL PILE ENCASEMENT

QUANTITIES/FT. OF ENCASEMENT (STEEL PILES)

Pile Size	Item	Quantity
HPB	Concrete Encasement	0.063 C.Y.
HP10	Concrete Encasement	0.086 C.Y.
HP12	Concrete Encasement	0.112 C.Y.

(METAL SHELL PILES)

Pile Size	Item	Quantity
12" Dia.	Concrete Encasement	0.087 C.Y.

PILE DETAILS	
STANDARD CX-1	

Illinois Department of Transportation

PASSED FEBRUARY 1, 2000

Thomas Demagalki
Engineer of Bridge Design

APPROVED FEBRUARY 1, 2000

Ralph E. Anderson
Engineer of Bridges and Structures

188-H GBS/S