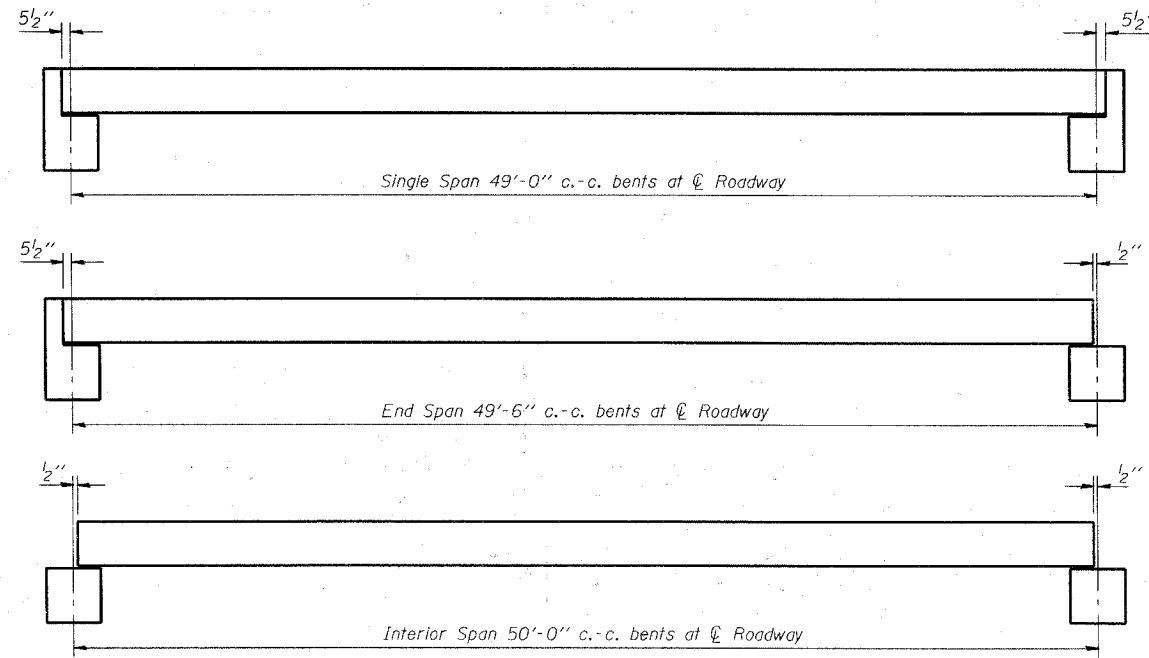
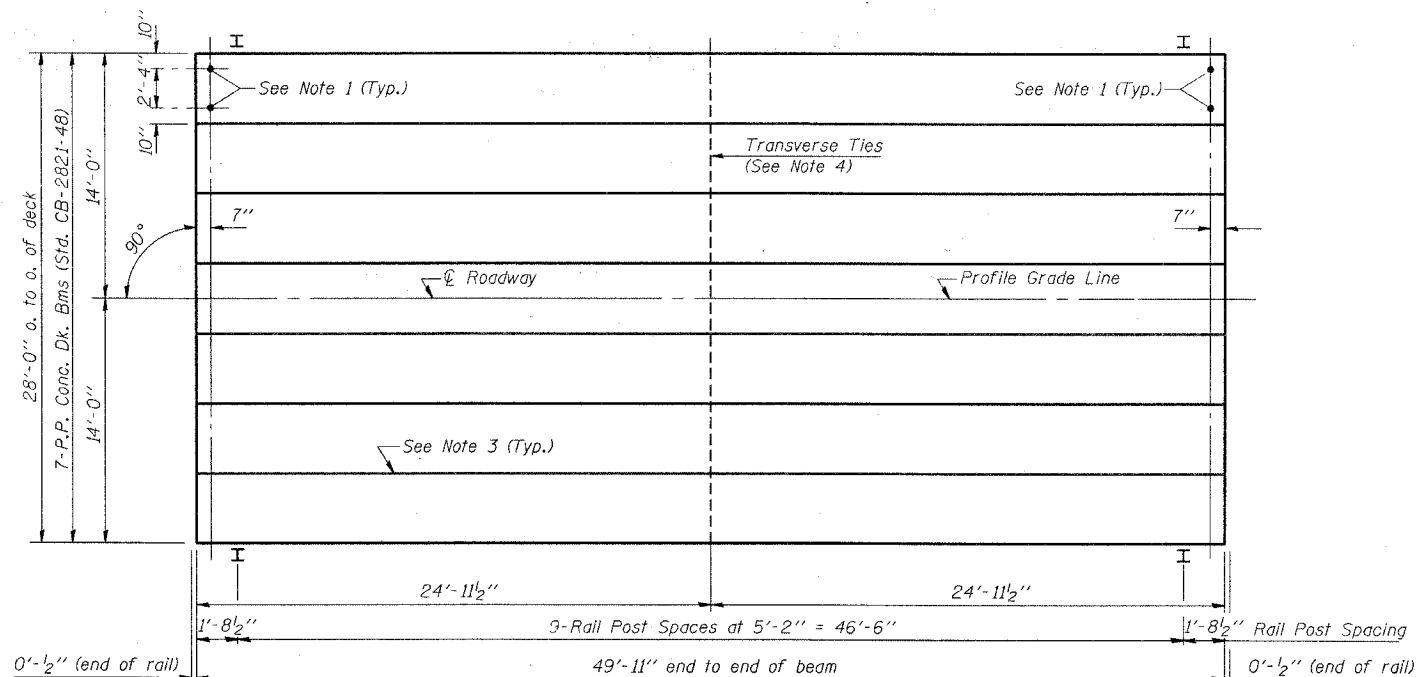


REL.	SECTION	COUNTY	TOTAL SHEETS	SHEET NO.
*	LAWRENCE	10	5	

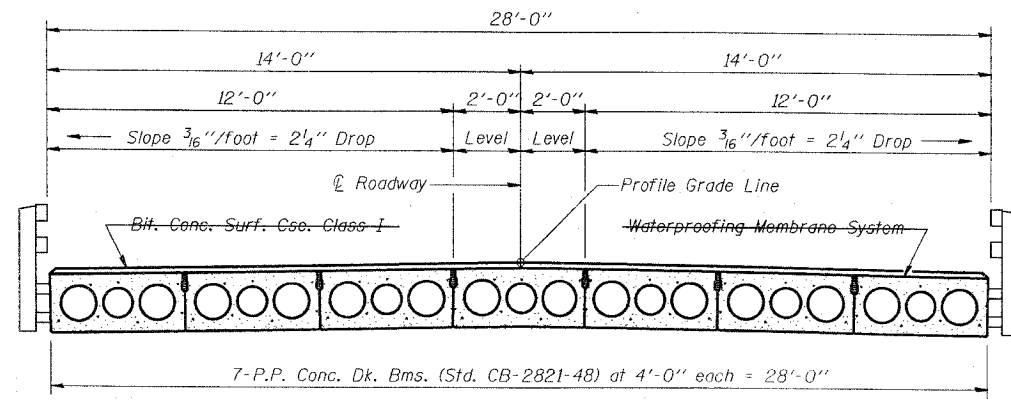
FEL. ROAD DIST. NO. 1 ILLINOIS FEL. AID PROJECT NO. *05-02126-00-BR



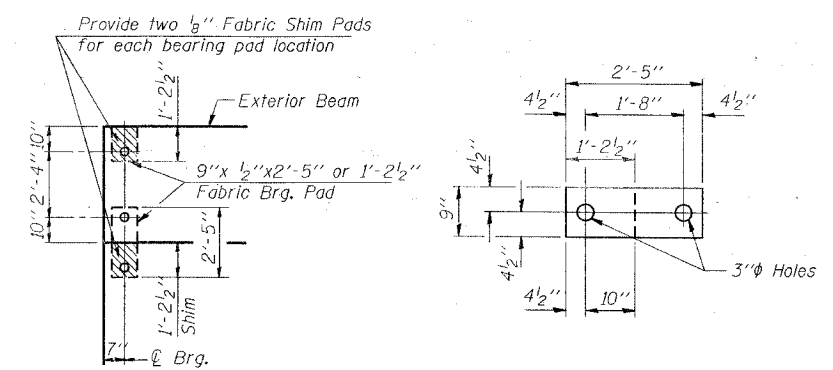
TYPICAL ELEVATIONS



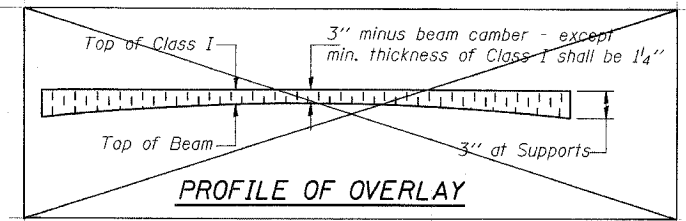
PLAN



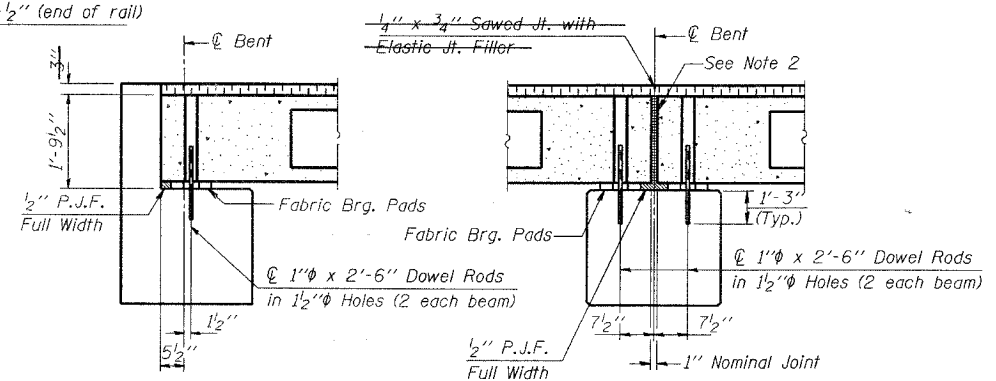
CROSS SECTION



1/2" FABRIC BRG. PAD DETAILS



PROFILE OF OVERLAY



SECTION AT ABUTS. (Along Roadway)

SECTION AT PIERS (Along Roadway)

NOTES

- After beams have been erected, holes shall be drilled into substructure and anchor dowels placed. Dowel holes shall be filled with non-shrink grout to top of beam and allowed to cure min. 24 hrs. prior to grouting the shear keys.
- Nominal 1" joint at Roadway shall be filled with non-shrink grout.
- Longitudinal keys shall be grouted. WITH NON-SHRINK GROUT.
- The 1" phi rods in the transverse tie assembly shall be tightened to a snug fit and the threads set. Pockets that receive transverse tie bar outside shall be filled with grout after transverse tie assembly is in place.

QUANTITIES FOR ONE SPAN

P.P. Conc. Dk. Bm. 21" Dp.	1400 Sq. Ft.
Steel Railing	100 Ft.
Bit. Conc. Surf. Coo. Class I	19.0 Tons
Waterproofing Membrane System	155.6 Sq. Yds.

P.P.C. DECK BEAM SUPERSTRUCTURE

28' RDWY.	21" BMS.	50' SPAN	0° SKEW
STANDARD CS-2821-50			

Illinois Department of Transportation
 PASSED NOVEMBER 1, 1995
 Prof. J. Kasper
 Engineer of Bridge Design
 APPROVED NOVEMBER 1, 1995
 Ralph E. Carls
 Engineer of Bridges and Structures