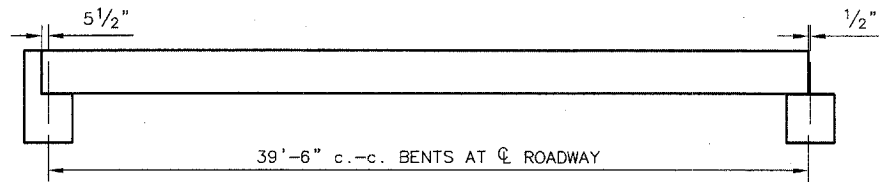
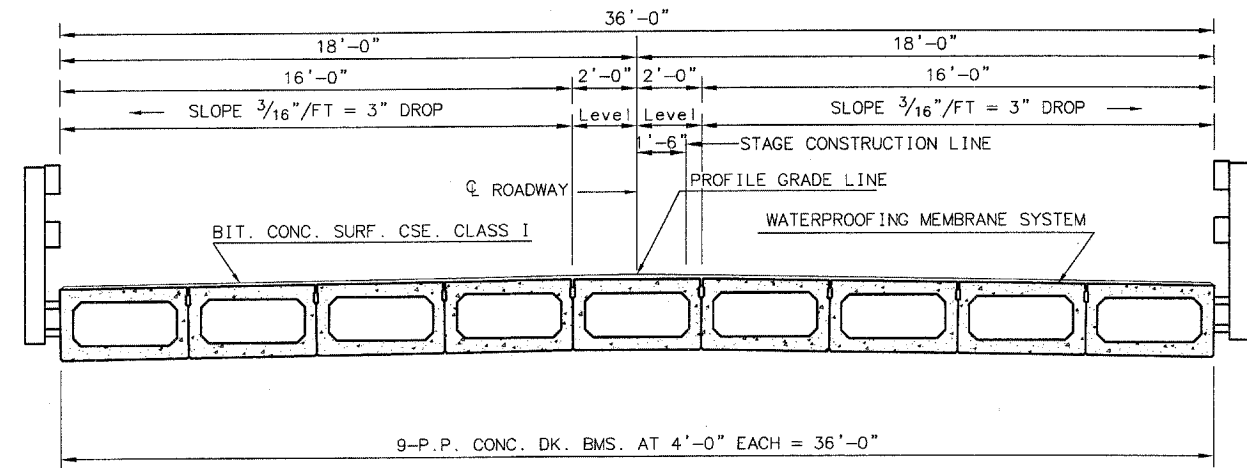


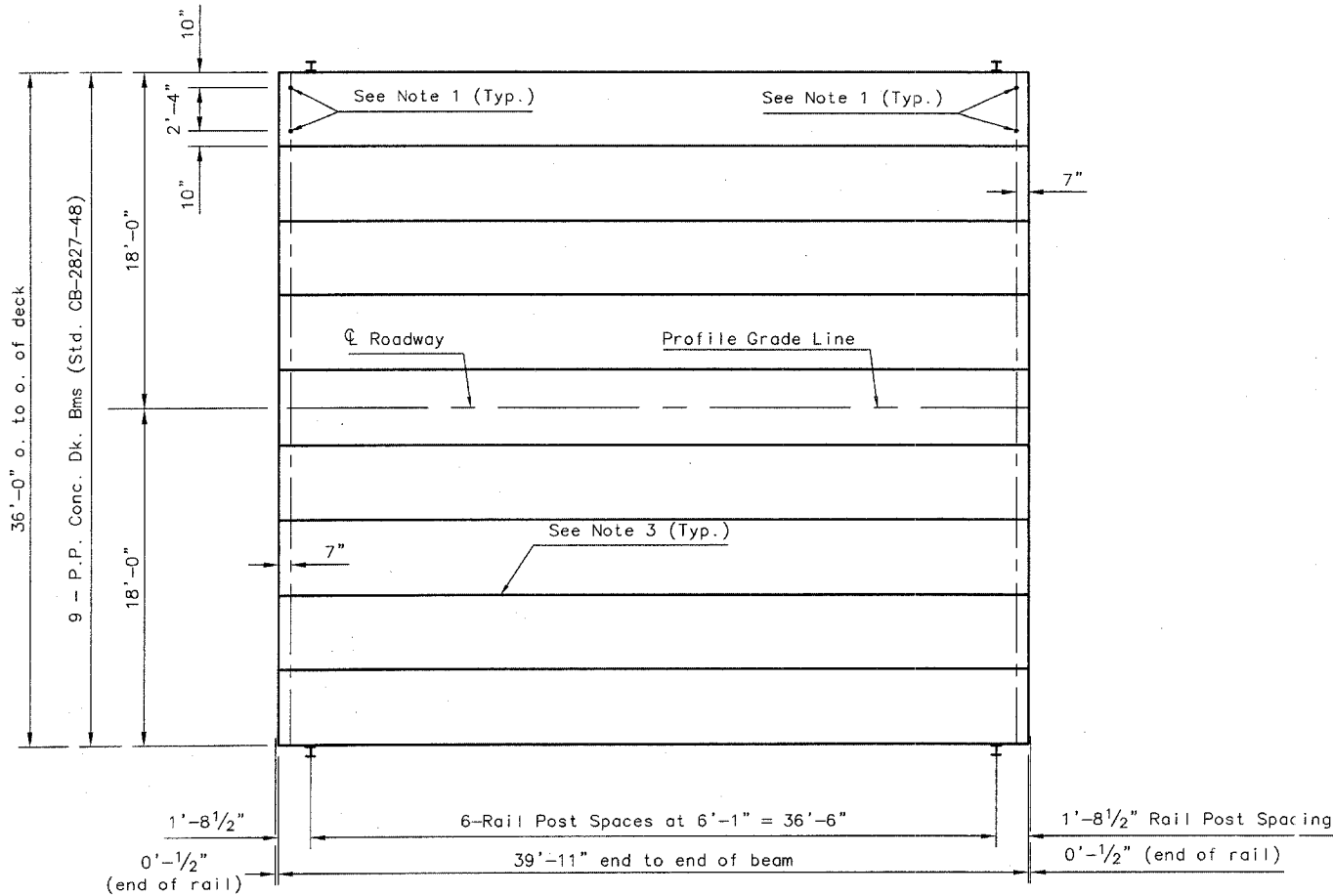
SECTION NO.	COUNTY HIGHWAY	COUNTY	SHEET
00-00196-08-BR	47	ST. CLAIR	9 OF 18
FHWA REG. NO. 7	ILLINOIS	FEDERAL AID PROJECT	
CONTRACT 97257			



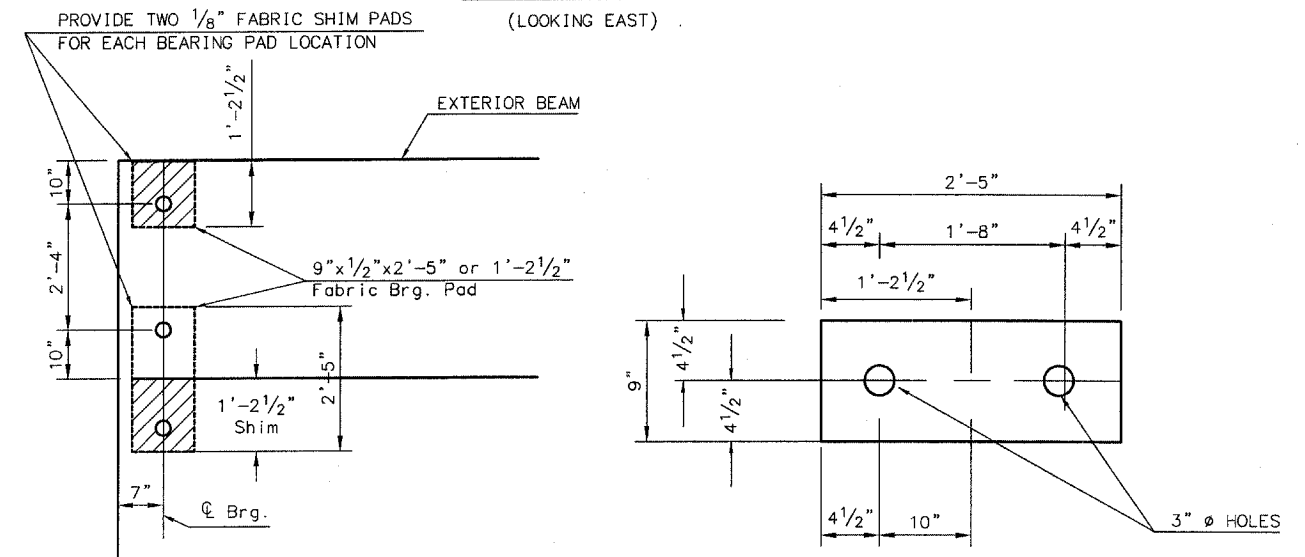
TYPICAL ELEVATION



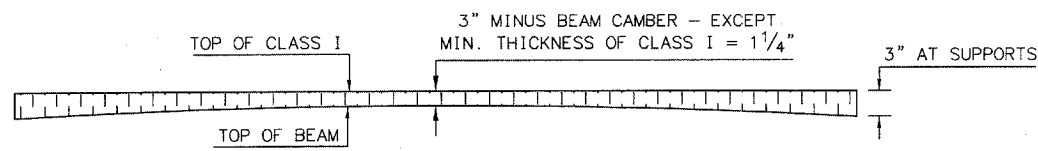
CROSS SECTION  
(LOOKING EAST)



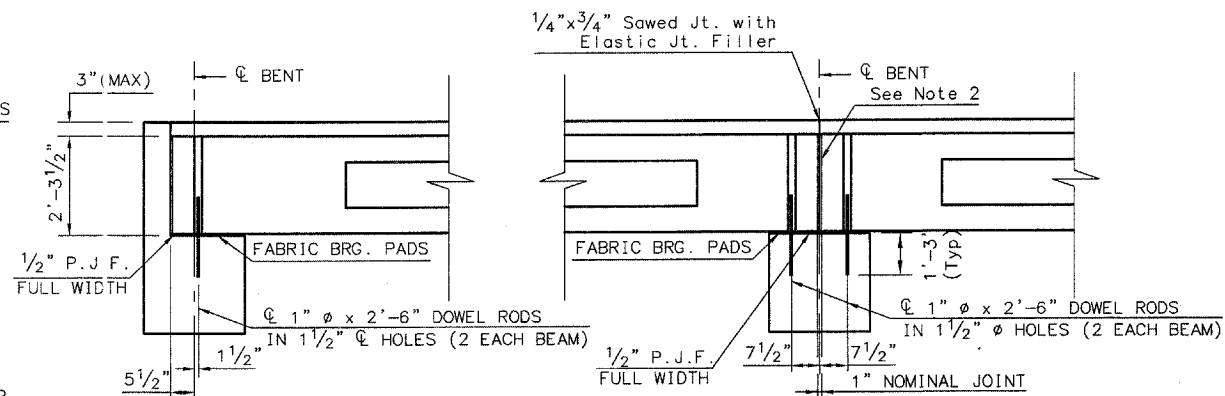
PLAN



1/2" FABRIC BRG. PAD DETAILS



PROFILE OF OVERLAY



SECTION AT ABUTS.  
(ALONG  $\phi$  BEAMS)

SECTION AT PIERS  
(ALONG  $\phi$  BEAMS)

QUANTITIES FOR ONE SPAN

P.P. CONC. DK. BM. 27" DP.	1437 SQ FT
STEEL RAILING, TYPE SI	80 FT
BCSC SUPER "C" N50	31 TONS
WATERPROOFING MEMBRANE SYSTEM	159.7 SQ YD

- NOTES
- AFTER BEAMS HAVE BEEN ERECTED, HOLES SHALL BE DRILLED INTO SUBSTRUCTURE AND ANCHOR DOWELS PLACED. DOWEL HOLES SHALL BE FILLED WITH NON-SHRINK GROUT TO TOP OF BEAM AND ALLOWED TO CURE MIN. 24 HRS. PRIOR TO GROUTING THE SHEAR KEYS.
  - NOMINAL 1" JOINT AT  $\phi$  PIER SHALL BE FILLED WITH NON-SHRINK GROUT.
  - LONGITUDINAL KEYS SHALL BE GROUTED.
  - SEE SHEET 3 FOR SHEAR KEY CLAMPING DETAILS.
  - SEE SHEETS 5 & 6 FOR STAGE CONSTRUCTION DETAILS.

DESIGNED	INITIALS	DATE
CHECKED	JLH	8/04
DRAWN	JLH	10/04
CHECKED		
PREPARED BY ST. CLAIR COUNTY		
CADD DRAWING FILE: SUPERSTR		

P.P.C. DECK BEAM SUPERSTRUCTURE	
36' RDWY.	27" BMS.
40' SPAN	0° SKEW