

EARTH EXCAVATION FOR ENERGY DISSIPATOR

THIS WORK INVOLVES THE EXCAVATION OF EARTH AS SHOWN IN THE SKETCH TO THE LENGTH, WIDTH, AND DEPTH AS SPECIFIED. THE EARTH EXCAVATION WILL BE UTILIZED IN THE ROADWAY EMBANKMENT OR WASTED AS DIRECTED BY THE ENGINEER. THE EXCAVATION SHALL BE PERFORMED AT THE SAME TIME AS THE CULVERT OR DITCH IS CONSTRUCTED TO SERVE AS A TEMPORARY SEDIMENT TRAP. EARTHWORK WILL BE CONSIDERED INCLUDED IN THE COST OF THE RIPRAP.

ENERGY DISSIPATOR SHALL NOT BE CONSTRUCTED UNTIL THE PERMANENT SLOPE OR DITCH STABILIZATION HAS BEEN INSTALLED.

ENERGY DISSIPATOR IS TO BE CONSTRUCTED AT THE LOCATION INDICATED ON THE PLAN AND PROFILE SHEETS.

RIPRAP FOR ENERGY DISSIPATOR

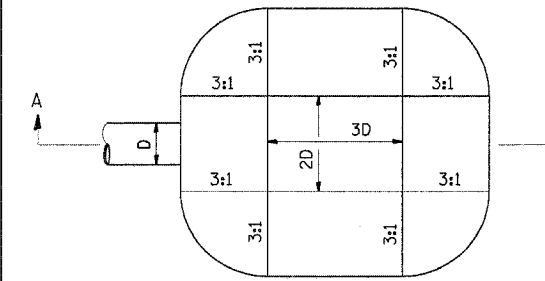
RIPRAP FOR ENERGY DISSIPATOR SHALL BE CONSTRUCTED IN ACCORDANCE WITH SECTION 281 OF THE STANDARD SPECIFICATIONS EXCEPT AS REVISED HEREIN.

THE LENGTH, WIDTH, AND DEPTH FOR RIPRAP PLACEMENT SHALL BE AS SPECIFIED IN THESE DETAILS.

THE RIPRAP FOR THE ENERGY DISSIPATOR SHALL BE PAID FOR AT THE CONTRACT UNIT PRICE PER SQUARE YARD FOR **STONE DUMPED RIPRAP**.

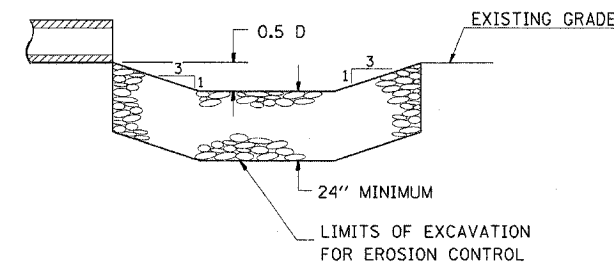
THE STONE DUMPED RIPRAP SHALL CONFORM TO THE QUALITY AND GRADATION REQUIREMENTS OF STONE RIPRAP, CLASS A4.

FILTER FABRIC AND BEDDING MATERIAL AS SPECIFIED IN SECTION 281 OF THE STANDARD SPECIFICATIONS WILL NOT BE REQUIRED.



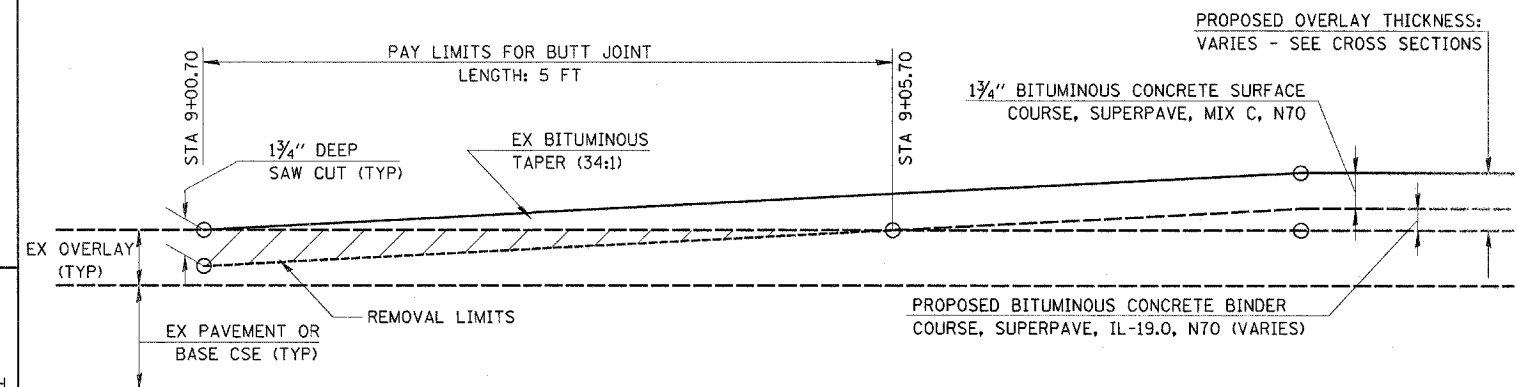
D= INSIDE DIAMETER OF PIPE CULVERT OR CLEAR HEIGHT OF BOX CULVERT

PLAN



SECTION A-A

ENERGY DISSIPATOR



BUTT JOINT DETAIL

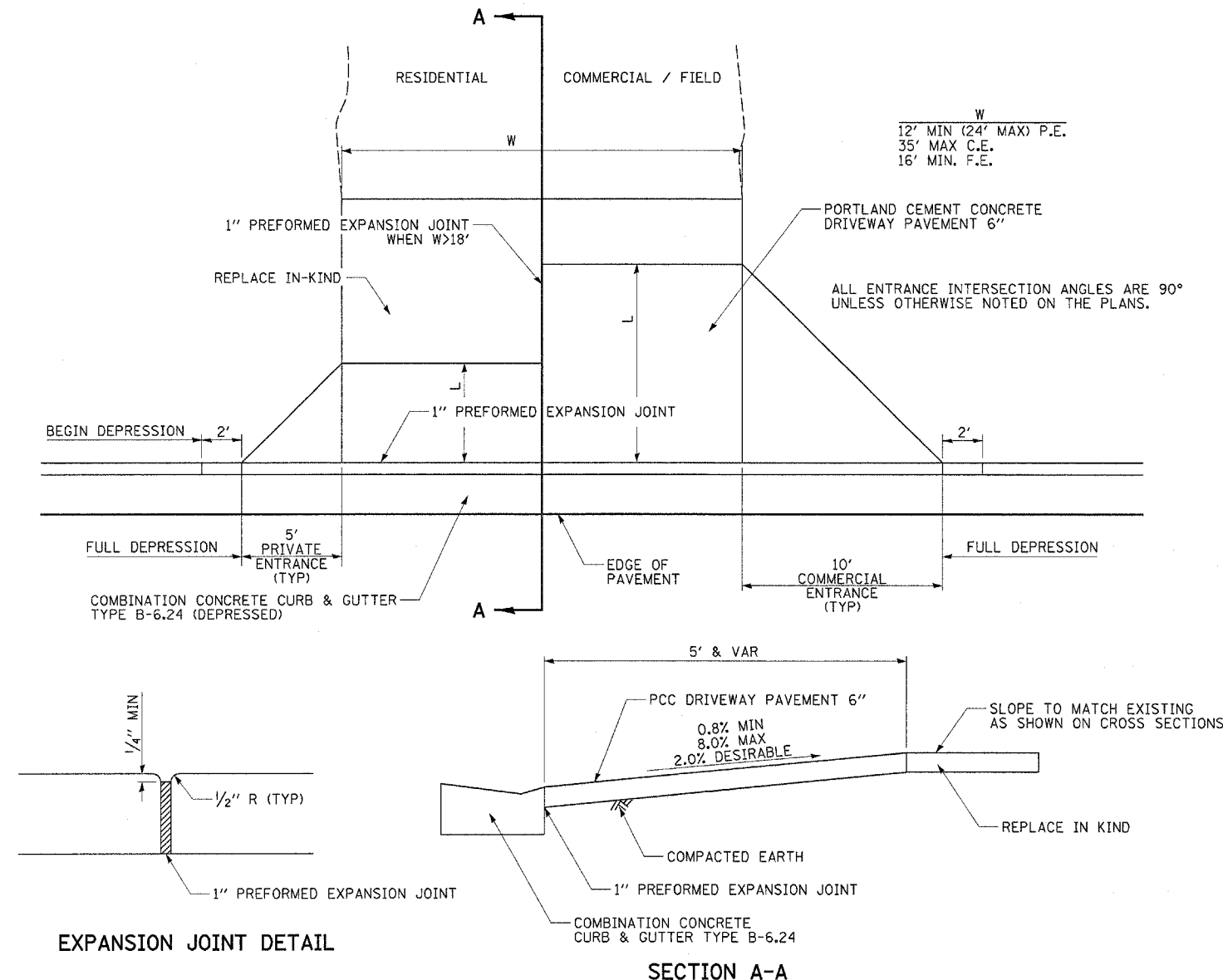
MILBURN SCHOOL ROAD
 SIMMONS ROAD STA. 9+00.70 TO 9+50.70

CITY OF O'FALLON, ILLINOIS

DETAILS

SCALE: NONE
 DATE:

DRAWN BY: SSM
 CHECKED BY: SRD

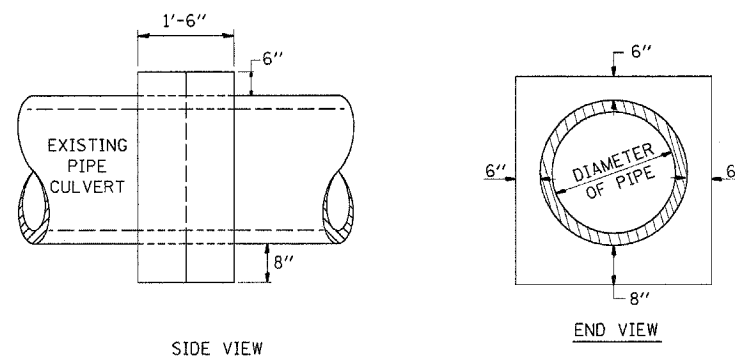


SECTION A-A

EXPANSION JOINT DETAIL

1" PREFORMED EXPANSION JOINTS ARE INCLUDED IN THE COST OF PORTLAND CEMENT CONCRETE DRIVEWAY PAVEMENT 6". COMBINATION CONCRETE CURB & GUTTER TYPE B-6.24 WILL BE PAID FOR SEPARATELY & INCLUDES DEPRESSING THE CURB WITHIN THE LIMITS OF THE ENTRANCE PAVEMENT.

ENTRANCE DETAIL



DETAILS OF CONCRETE COLLAR

PIPE TO PIPE

THE CONCRETE COLLAR SHALL BE PAID FOR AT THE CONTRACT UNIT PRICE PER EACH FOR CONCRETE COLLAR AS SHOWN ON THE PLANS, WHICH PRICE SHALL INCLUDE THE REMOVAL OF SUCH PORTIONS THE EXISTING HEADWALLS AS MAY BE REQUIRED.

CLASS SI CONCRETE SHALL BE USED THROUGHOUT.

TABULATION

DIAMETER OF PIPE	CL. SI CONC. CU. YDS. EST.
12"	0.24
15"	0.29
18"	0.32
24"	0.44
30"	0.56
36"	0.66
42"	0.80
48"	0.93
54"	1.07
60"	1.22
72"	1.55