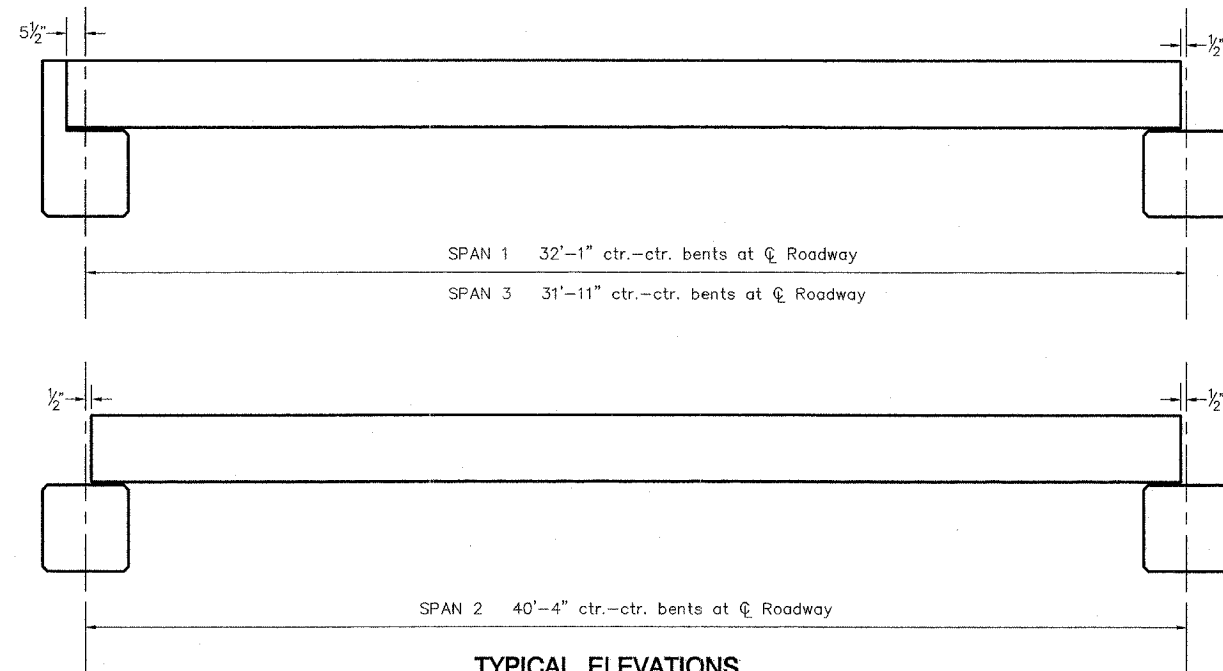
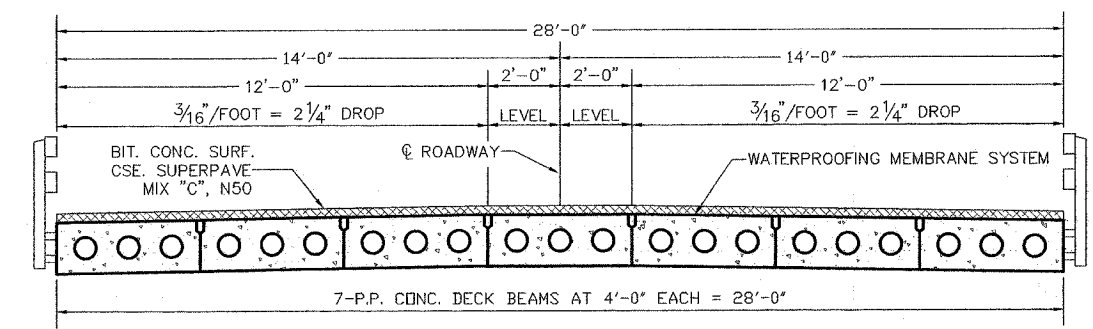


ROUTE NO.	SECTION	COUNTY	TOTAL SHEETS	SHEET NO.
C.H. 5 (SHATTUC ROAD)	02-00079-00-BR	CLINTON	15	9

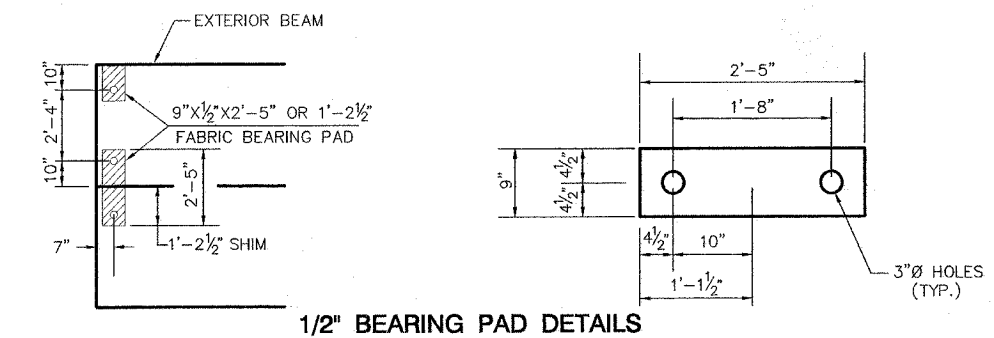
CONTRACT NO. 97267



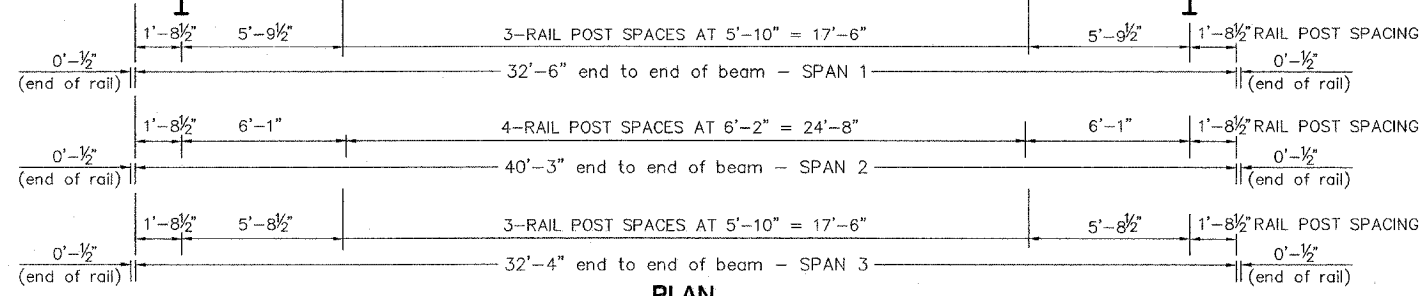
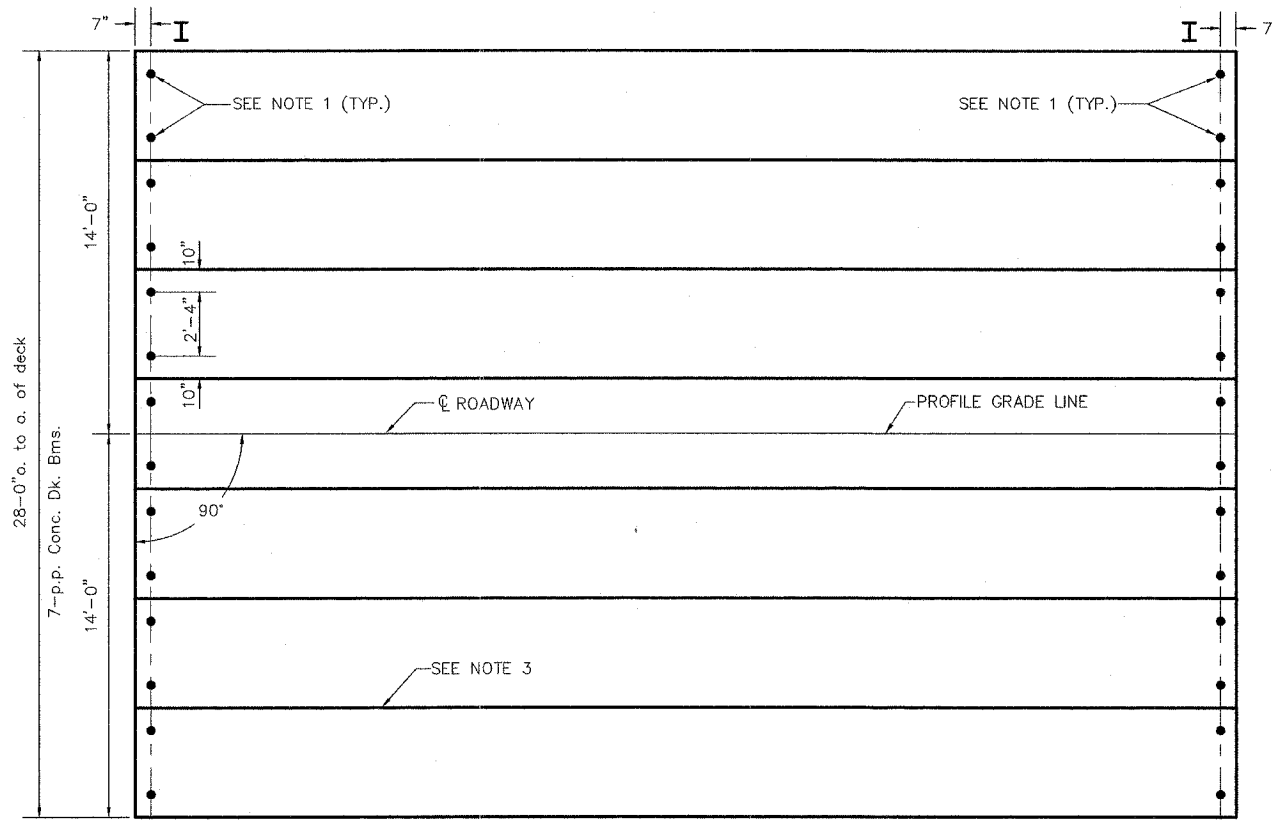
TYPICAL ELEVATIONS



CROSS SECTION



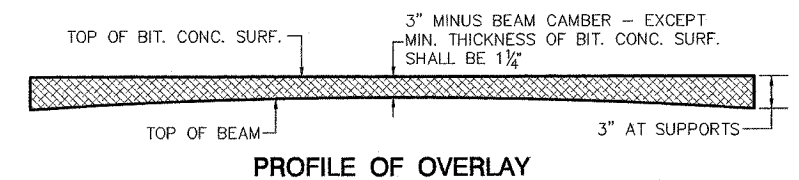
1/2" BEARING PAD DETAILS



PLAN

NOTES

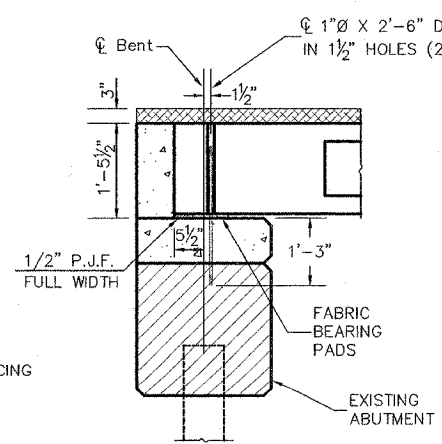
- After beams have been erected, holes shall be drilled into substructure and anchor dowels placed. Dowel holes shall be filled with non-shrink grout to top of beam and allowed to cure min. 24 hrs. prior to grouting the shear keys.
- Nominal 1" joint at CL Pier shall be filled with non-shrink grout.
- Longitudinal keys shall be grouted.



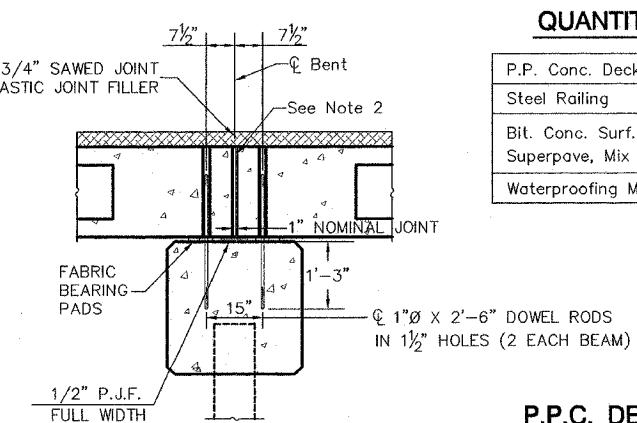
PROFILE OF OVERLAY

QUANTITIES FOR STRUCTURE

P.P. Conc. Deck Bm. 17" Dp.	2947 Sq. Ft.
Steel Railing	211 Ft.
Bit. Conc. Surf. Cse., Superpave, Mix "C", N50	41.6 Tons
Waterproofing Membrane System	332.1 Sq. Yds.



SECTION AT ABUTS.
(ALONG CL BEAMS)



SECTION AT PIERS
(ALONG CL BEAMS)

P.P.C. DECK BEAM SUPERSTRUCTURE

C.H. 5 (SHATTUC ROAD)
OVER LOST CREEK
02-00079-00-BR
CLINTON COUNTY
STATION 23+55
S.N. 014-3014