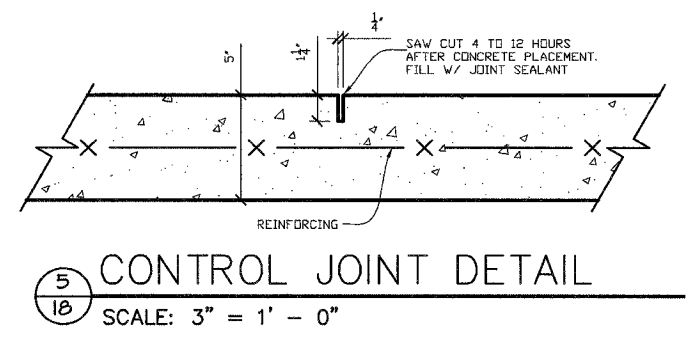
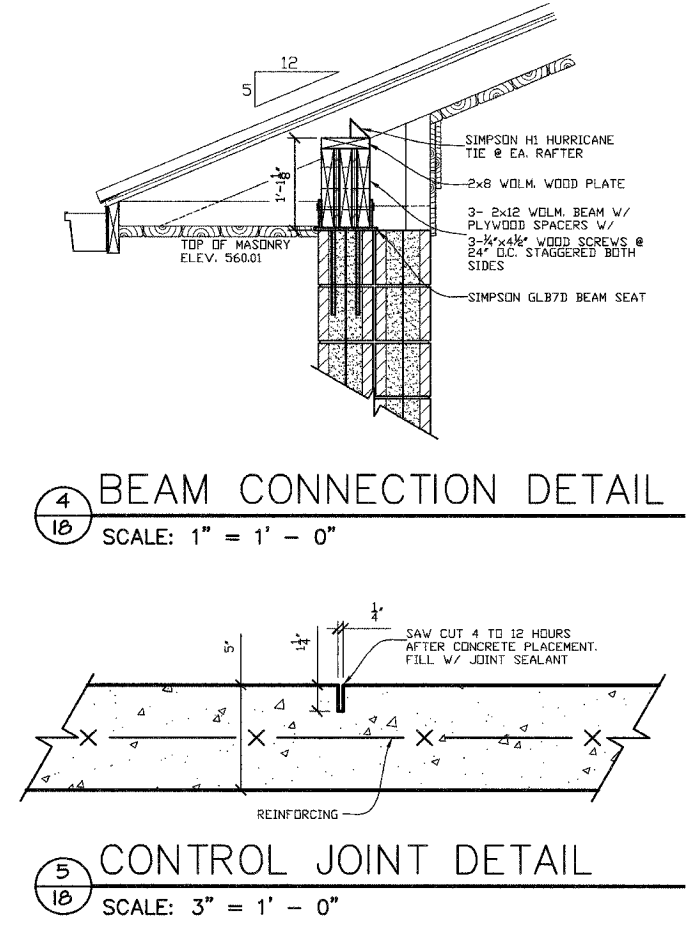
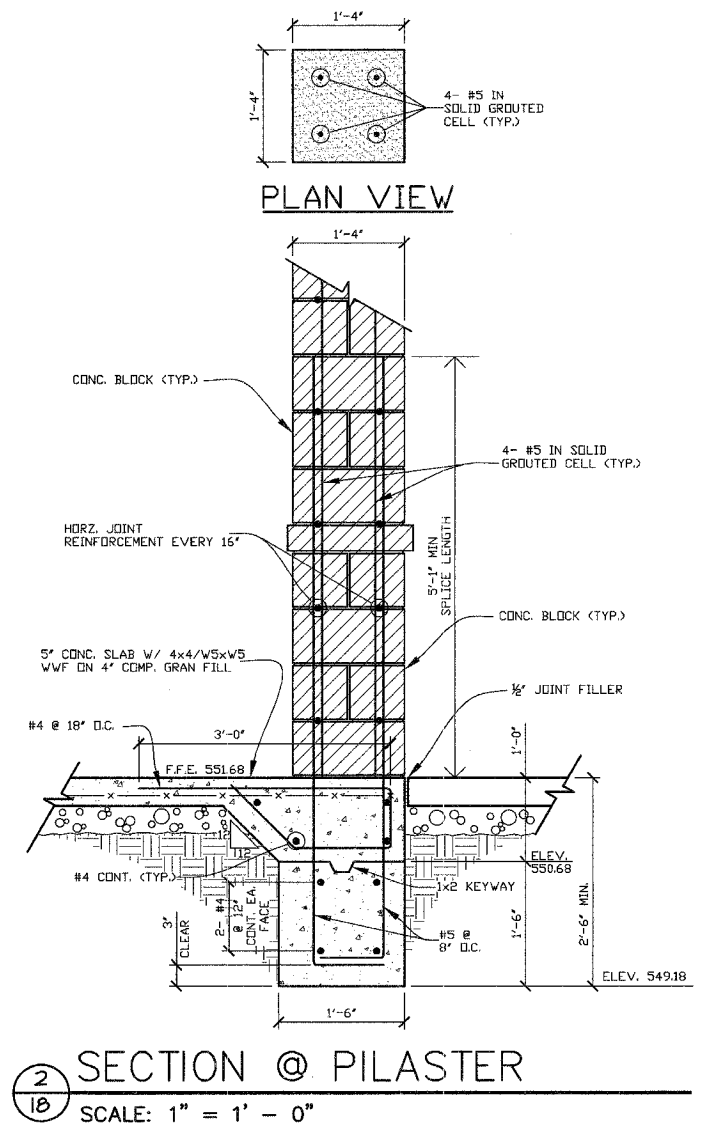
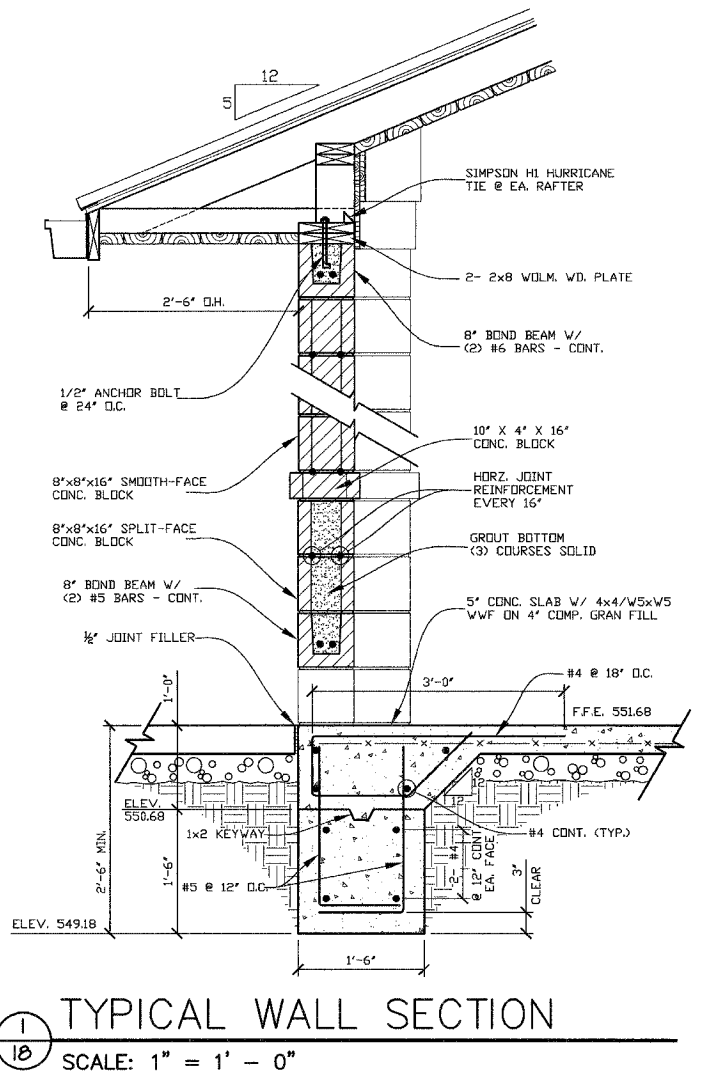
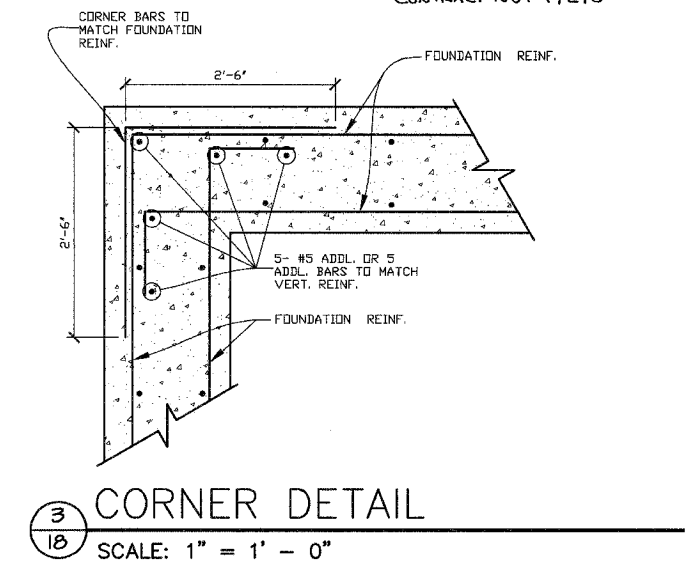
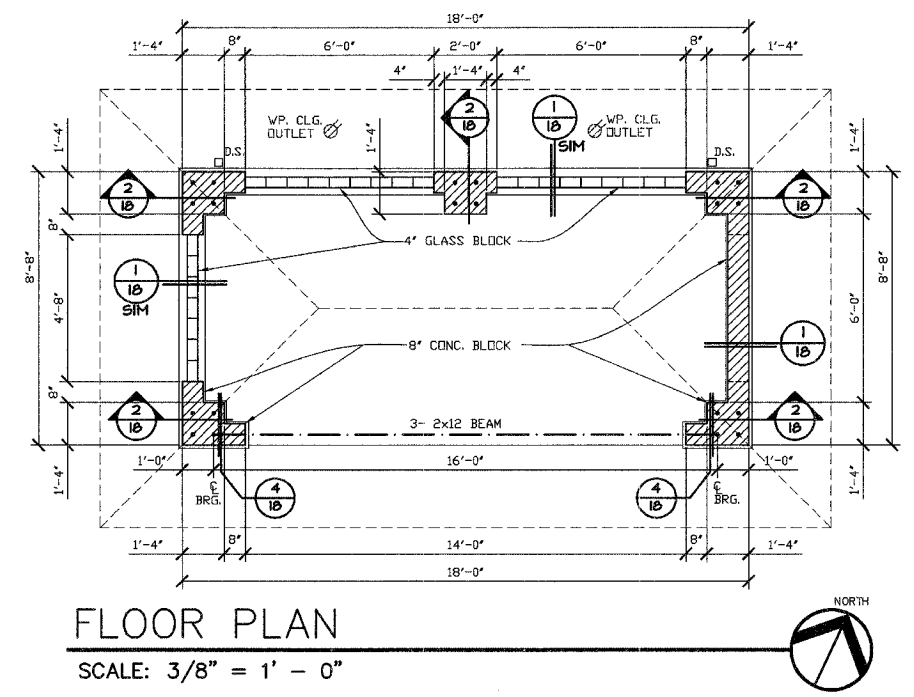
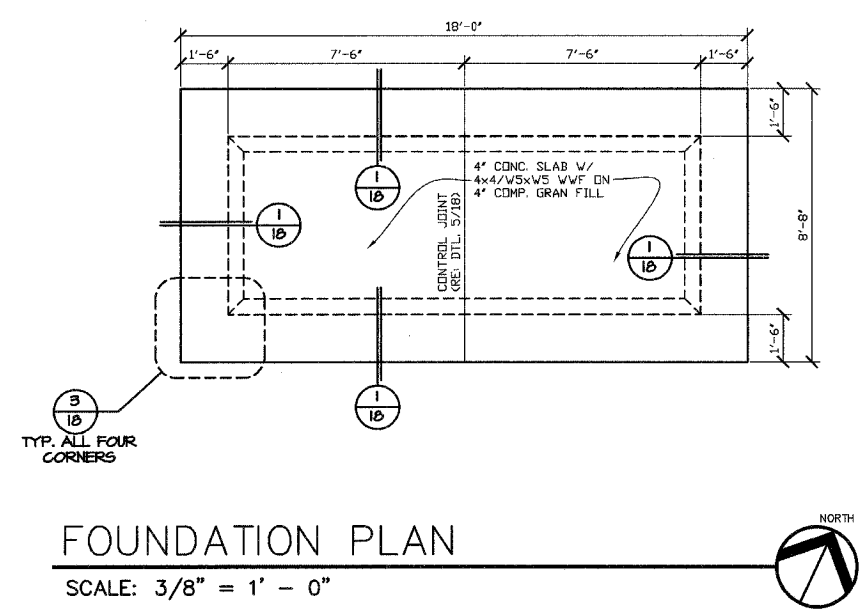


F.A.U. R.T.E.	SECTION	COUNTY	TOTAL SHEETS	SHEET NO.
8873	00-0012-00-PK	MADISON	18	18
FED. ROAD DIST. NO.	ILLINOIS	FED. AID PROJECT		

CONTRACT No. 97270

DATE	BY
SURVEYED	PLOTTED
NO. _____	NO. _____
FINAL SURVEY	NOTE BOOK
PLOTTED	TEMPLATE
AREAS CHECKED	AREAS CHECKED
NO. _____	NO. _____



DATE	BY
SURVEYED	PLOTTED
NO. _____	NO. _____
ORIGINAL SURVEY	NOTE BOOK
PLOTTED	TEMPLATE
AREAS CHECKED	AREAS CHECKED
NO. _____	NO. _____

<p>Juneau Associates, Inc. P.C. CONSULTING ENGINEERS AND LAND SURVEYORS 2100 State Street, P.O. Box 1305 Ottawa City, Illinois 62420-4725 Phone: (618)871-1400/(618)452-8339 Fax: (618)452-8344</p>		<p>STRUCTURAL DETAILS HIGHLAND PARK-RIDE IMPROVEMENTS MADISON COUNTY TRANSIT HIGHLAND, ILLINOIS SECTION No. 00-0012-00-PK</p>	
REVISIONS			
NO.	DATE	BY	REMARKS
SCALE:		DSN. BY: JLK	DATE: 12/1/05
		DWN. BY: EER	DATE: 12/1/05
		CHK'D: WHH	DATE: 12/1/05
DWG. NO.		JOB NO. E054401	DWG NAME: S-DETAILS OF 18 SHITS