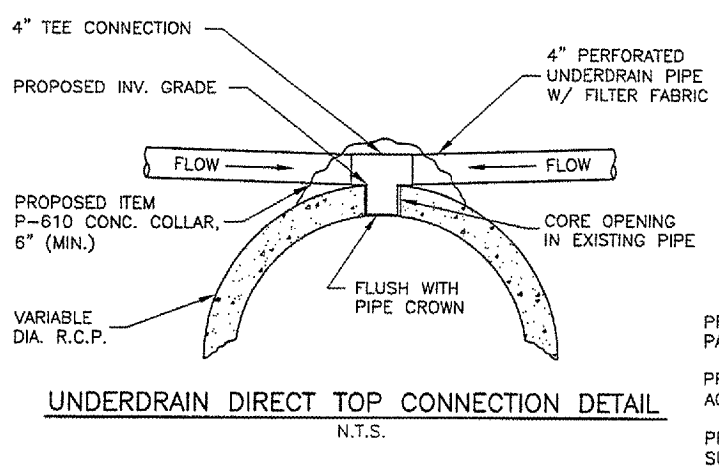
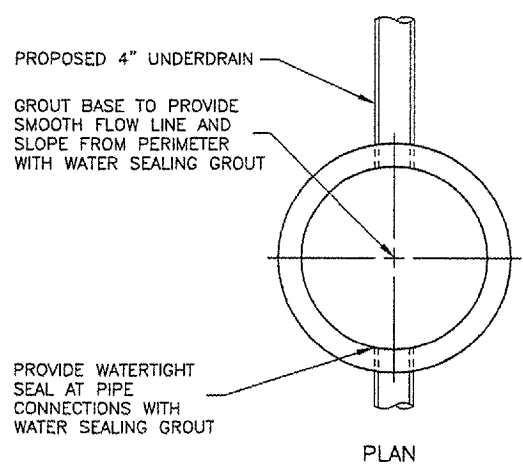
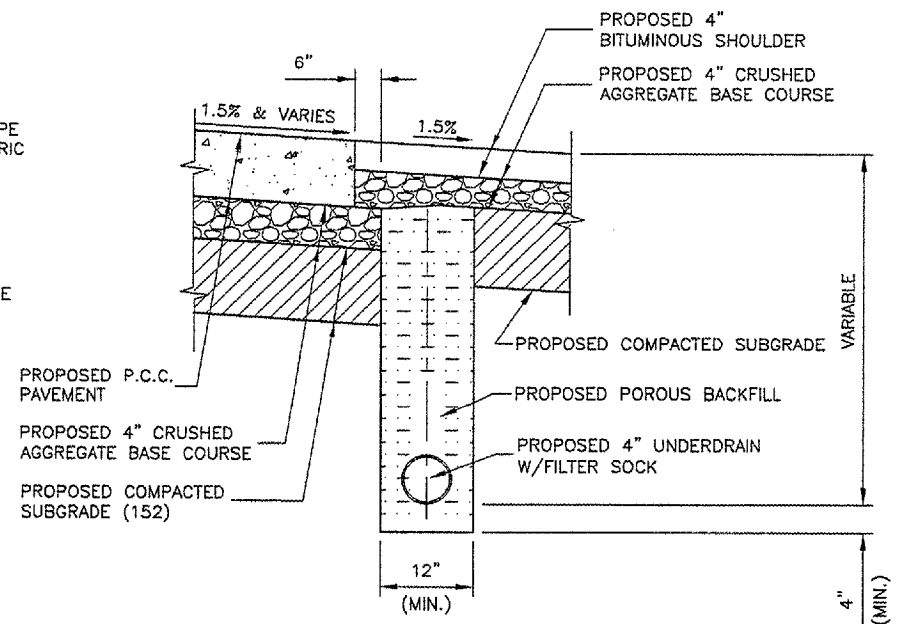


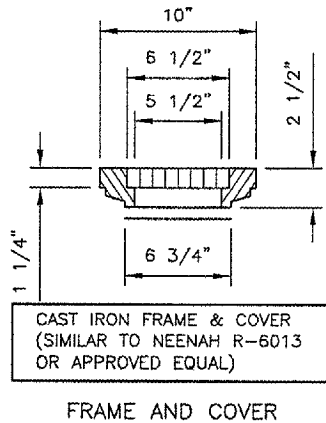
UNDERDRAIN CLEAN-OUT DETAIL - TYPE 1
 N.T.S.



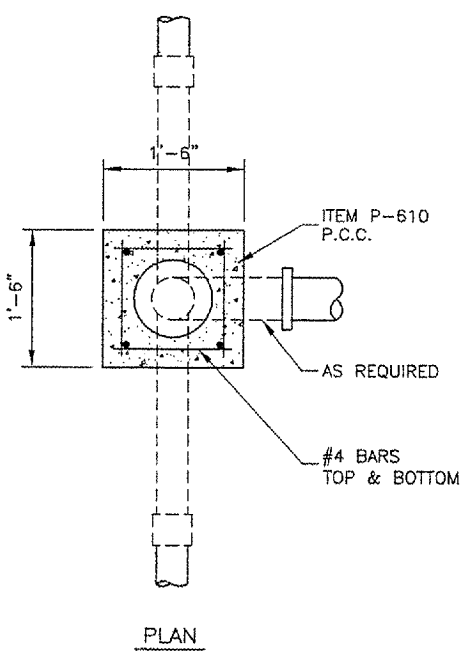
UNDERDRAIN DIRECT TOP CONNECTION DETAIL
 N.T.S.



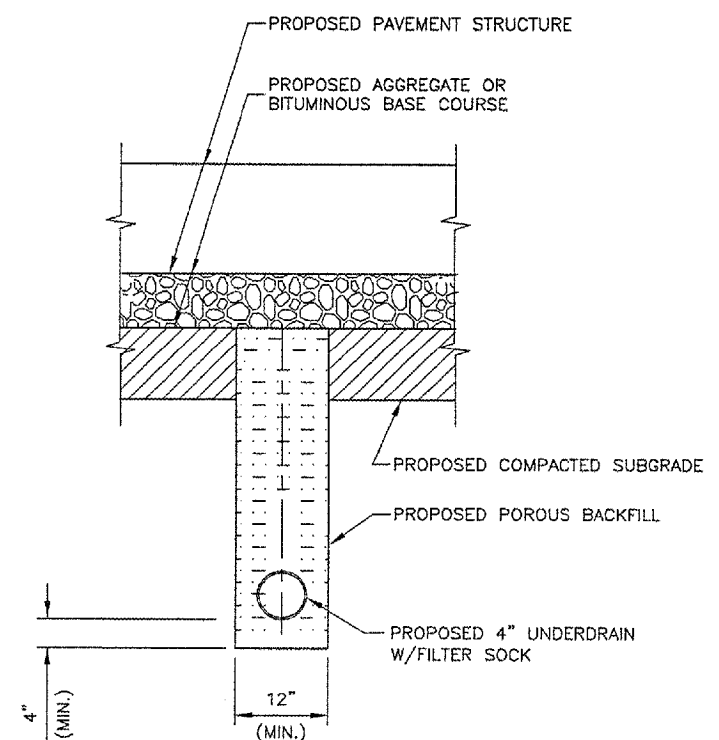
TYPICAL UNDERDRAIN DETAIL
EDGE OF PAVEMENT
 N.T.S.



FRAME AND COVER



UNDERDRAIN CLEAN-OUT DETAILS
 N.T.S.

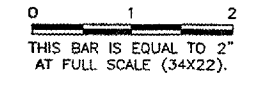


TYPICAL UNDERDRAIN DETAIL
BELOW PAVEMENT
 N.T.S.

NOTES

DURING UNDERDRAIN CONSTRUCTION, CARE SHALL BE TAKEN TO ENSURE GOOD DRAINAGE BETWEEN THE SUB-BASE AND THE POROUS BACKFILL MATERIAL WHICH WILL AFFECT DRAINAGE TO THE UNDERDRAIN SHALL BE REMOVED PRIOR TO THE PLACEMENT OF PROPOSED POROUS BACKFILL. ALL COST FOR THIS WORK SHALL BE CONSIDERED INCIDENTAL.

REVISIONS		
NUMBER	BY	DATE



BLOOMINGTON-NORMAL AIRPORT AUTHORITY
CENTRAL ILLINOIS REGIONAL AIRPORT
BLOOMINGTON, ILLINOIS

CONSTRUCT TAXIWAY G-1

UNDERDRAIN DETAILS

© Copyright CMT, Inc.
CMT
 CRAWFORD, MERRIFIELD & TILLY, INC.
 CONSULTING ENGINEERS
 License No. 194-000615

DESIGN BY:	JEF
DRAWN BY:	DPA
CHECKED BY:	RLV
APPROVED BY:	JEF
DATE:	1/13/2006
JOB No:	05085-0300
ILLINOIS PROJECT	BMI-3452
A.I.P. PROJECT	3-17-0006-XX
SHEET	27 OF 33 SHEETS