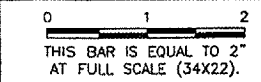


REVISIONS		
NUMBER	BY	DATE



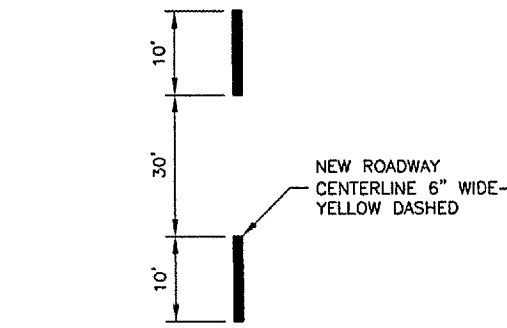
SPRINGFIELD AIRPORT AUTHORITY
 ABRAHAM LINCOLN CAPITAL AIRPORT
 SPRINGFIELD, ILLINOIS

WIDEN TAXIWAY A - CONSTRUCT PERIMETER ROAD
 MARKING DETAILS

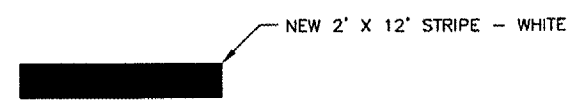
© Copyright CMT, Inc.
CMT
 CRAWFORD, MURPHY & TILLY, INC.
 CONSULTING ENGINEERS
 License No. 184-000813

DESIGN BY:	RLV
DRAWN BY:	DPA
CHECKED BY:	<i>RLV</i>
APPROVED BY:	<i>RLV</i>
DATE:	1/23/06
JOB No:	0503507
IL PROJ. NO.	SPI-3555
AIP PROJ. NO.	3-17-0096-44
SHEET	50 OF 83 SHEETS

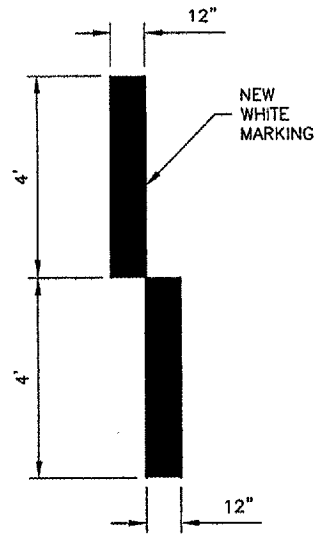
NOTE:
 1. ALL NEW AIRFIELD MARKING SHALL HAVE REFLECTIVE BEADS & 6" BLACK BORDER



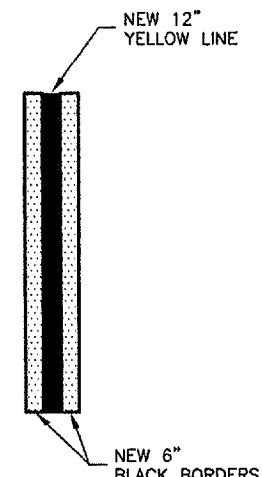
ROADWAY CENTERLINE - DASHED
 N.T.S.



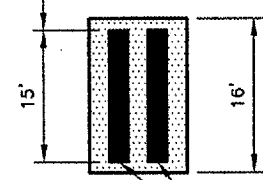
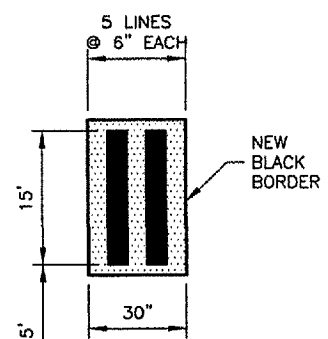
NEW ROADWAY STOPLINE
 N.T.S.



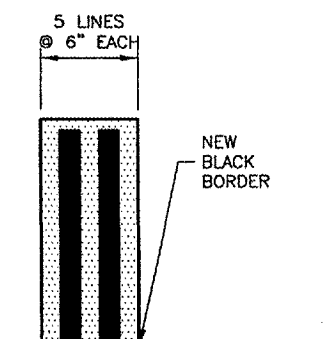
ROADWAY EDGE STRIPE - ZIPPER STYLE
 N.T.S.



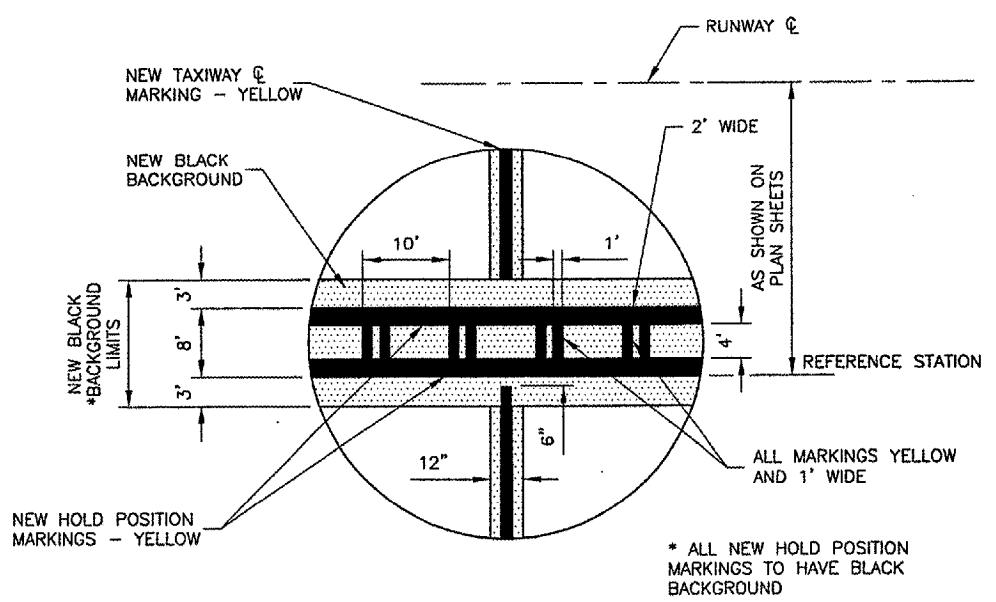
TAXIWAY CENTERLINE CONTINUOUS
 N.T.S.



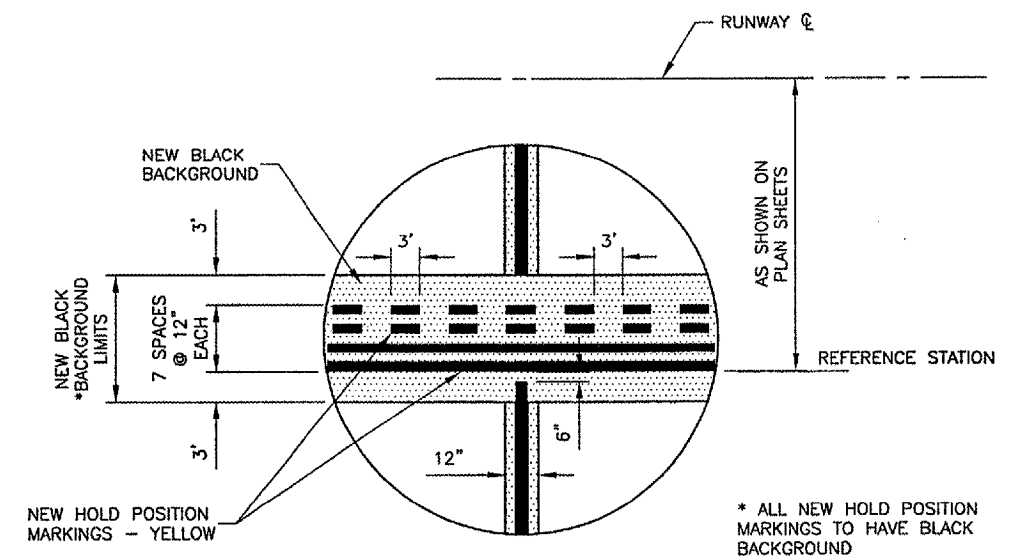
TAXIWAY EDGE MARKING DASHED
 N.T.S.



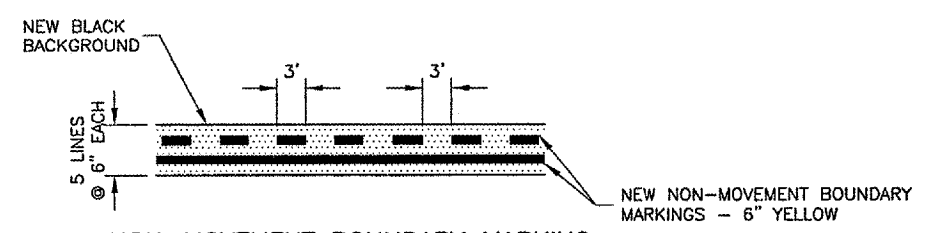
TAXIWAY EDGE MARKING CONTINUOUS
 N.T.S.



ILS HOLD POSITION MARKING DETAIL
 N.T.S.



HOLD POSITION MARKING DETAIL
 N.T.S.



NON-MOVEMENT BOUNDARY MARKING
 N.T.S.