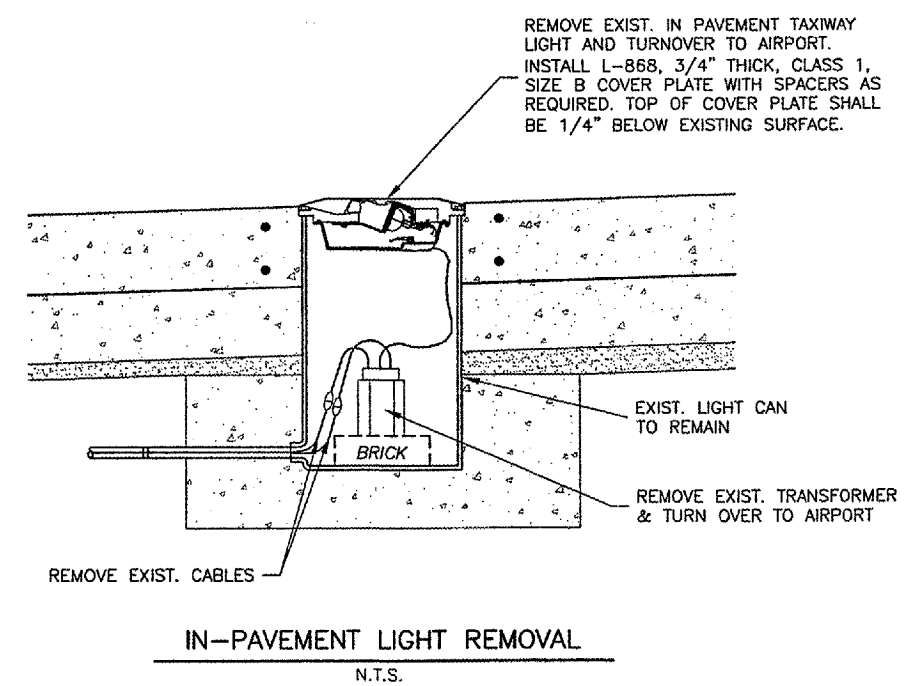
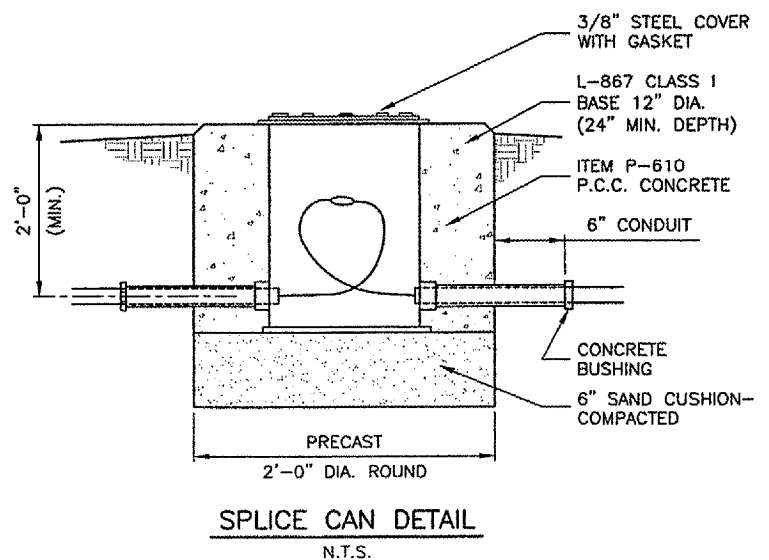
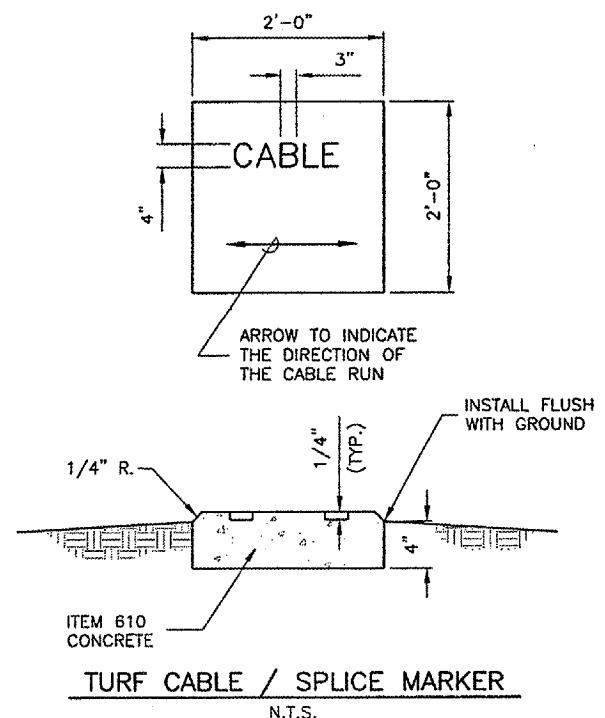


REVISIONS		
NUMBER	BY	DATE

0 1 2
 THIS BAR IS EQUAL TO 2"
 AT FULL SCALE (34X22).



NOTES

1. CABLE MARKERS SHALL BE INSTALLED AT ALL BENDS AND EVERY 200' ALONG THE HOMERUN.
2. ITEM 610 CONCRETE SHALL BE USED.
3. ALL EXPOSED EDGES SHALL BE EDGED WITH A 1/4" RADIUS TOOL.
4. THE COST OF FURNISHING AND INSTALLING NEW MARKERS SHALL BE INCIDENTAL TO THE ASSOCIATED ITEMS.
5. 0.049 CU. YD. CONCRETE PER MARKER.
6. A MARKER CONFORMING TO THIS DETAIL MARKED "SPLICE" SHALL BE INSTALLED AT ALL SPLICE LOCATIONS NOT IN LIGHT CANS OR MANHOLES.

SPRINGFIELD AIRPORT AUTHORITY
ABRAHAM LINCOLN CAPITAL AIRPORT
SPRINGFIELD, ILLINOIS

WIDEN TAXIWAY A - CONSTRUCT PERIMETER ROAD

ELECTRICAL DETAILS 1

© Copyright CMT, Inc.
CMT
 CRANFORD, MURPHY & TILLY, INC.
 CONSULTING ENGINEERS
 License No. 784-000613

DESIGN BY:	RLV
DRAWN BY:	DPA
CHECKED BY:	RLV
APPROVED BY:	RLV
DATE:	1/23/06
JOB No:	0503507
IL PROJ. NO.	SPI-3555
AIP PROJ. NO.	3-17-0096-44
SHEET	57 OF 83 SHEETS