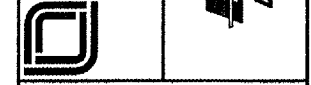


REVISIONS		
NUMBER	BY	DATE

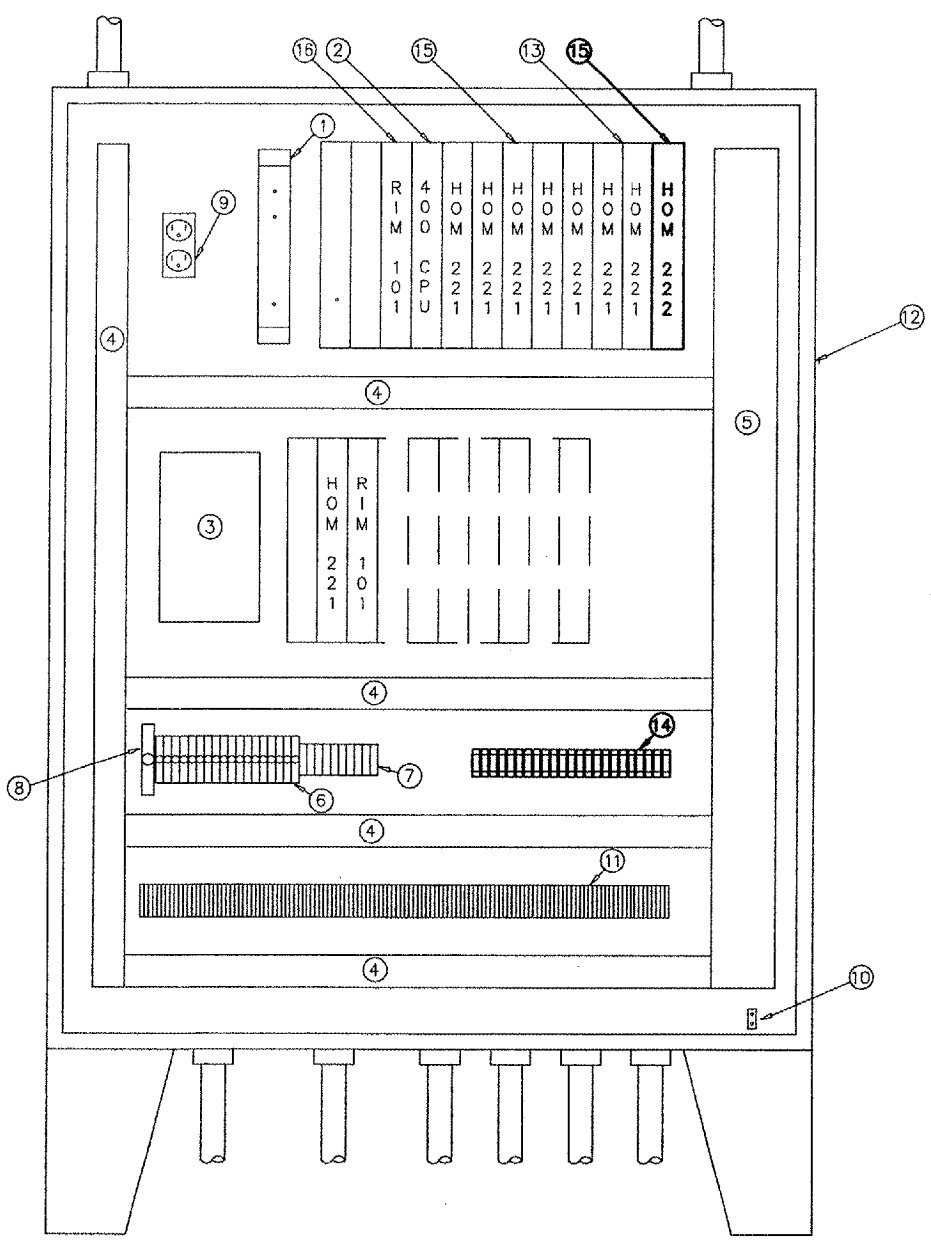
0 1 2  
 THIS BAR IS EQUAL TO 2"  
 AT FULL SCALE (34X22).

DUPAGE AIRPORT  
 WEST CHICAGO, ILLINOIS  
 SOUTH FLIGHT CENTER APRON - PHASE 4  
 VAULT CONTROL DETAILS SHEET 1

© Copyright CMT, Inc.  
**CMT**  
 CRAWFORD, MURPHY & TILLY, INC.  
 CONSULTING ENGINEERS  
 License No. 184-000613

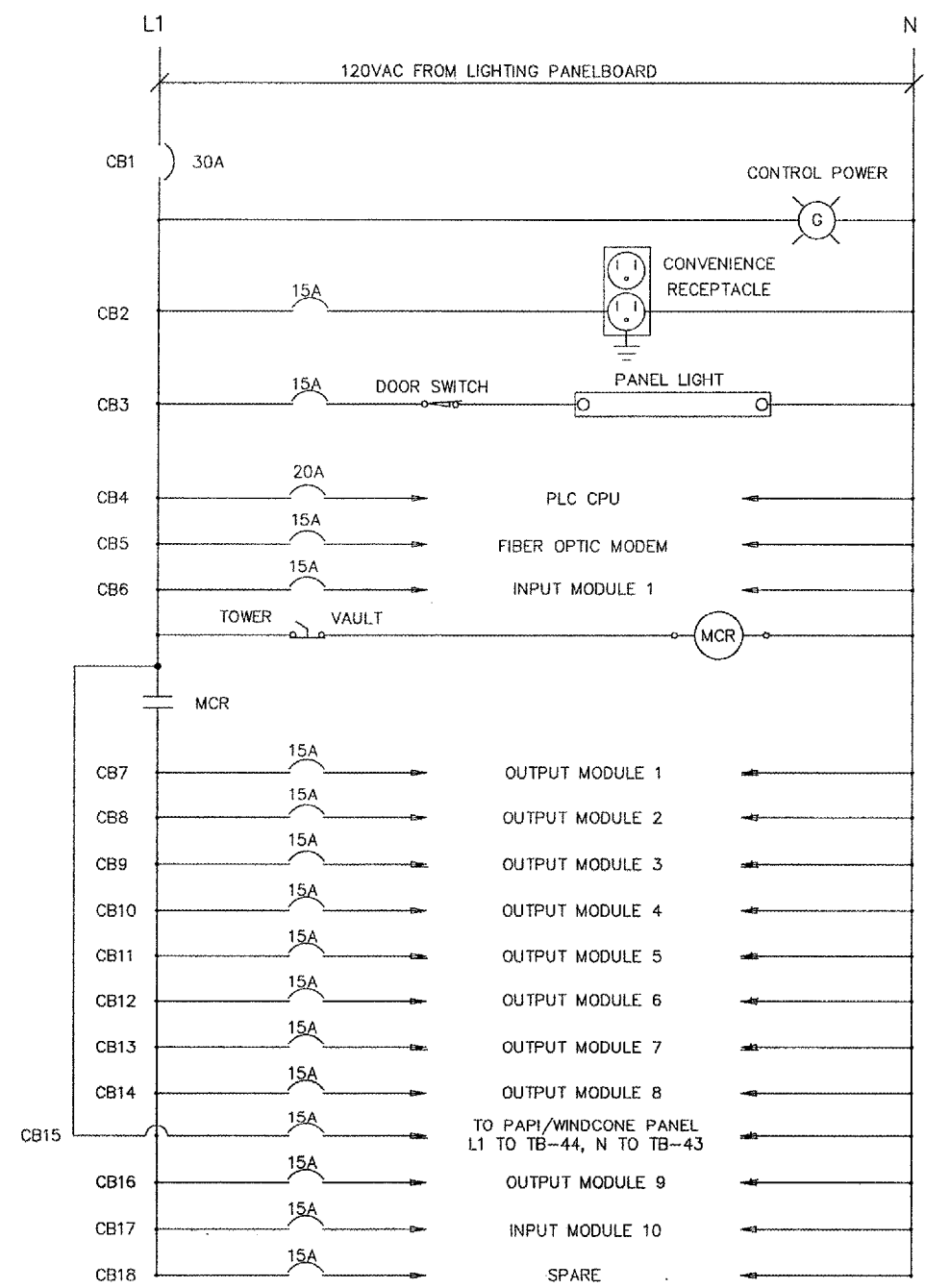


DESIGN BY:	AB
DRAWN BY:	JRO
CHECKED BY:	AB
APPROVED BY:	AB
DATE:	01/13/06
JOB No:	04257-04-00-00
A.I.P. PROJECT:	3-17-0017-B18
ILLINOIS PROJECT:	DPA-3391
SHEET 21 OF 36 SHEETS	



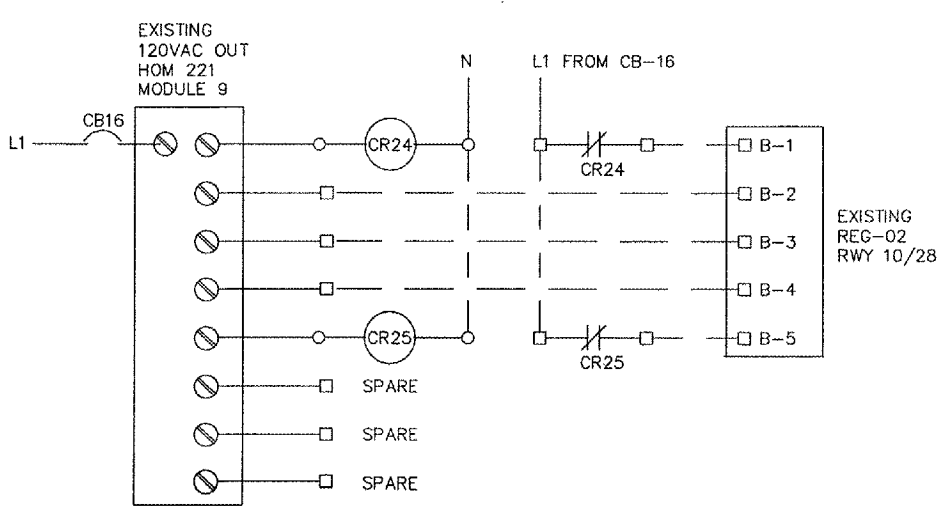
**PROPOSED VAULT PLC ENCLOSURE MODIFICATIONS**  
 1"=6"

- LEGEND**
- ① EXISTING FIBER OPTIC MODEM.
  - ② EXISTING PROGRAMMABLE LOGIC CONTROLLER (PLC).
  - ③ EXISTING PLC POWER SUPPLY.
  - ④ EXISTING 4"x2"W PLASTIC WIRE DUCT.
  - ⑤ EXISTING 4"x4" PLASTIC WIRE DUCT.
  - ⑥ EXISTING RAIL MOUNTED CIRCUIT BREAKERS.
  - ⑦ EXISTING NEUTRAL TERMINALS.
  - ⑧ EXISTING 30A MAIN CIRCUIT BREAKER.
  - ⑨ EXISTING CONVENIENCE RECEPTACLE.
  - ⑩ EXISTING GROUND LUG.
  - ⑪ EXISTING TERMINALS.
  - ⑫ EXISTING 60"Hx48"Wx12"D NEMA 12 ENCLOSURE
  - ⑬ (9) EXISTING SQUARE D HOM 221, 120VAC OUTPUT MODULES.
  - ⑭ (25) EXISTING SINGLE POLE RELAYS AND RELAY TYPE TERMINAL BLOCKS WITH 120VAC COILS & 5A RATED CONTACTS. CONTRACTOR SHALL ADD TWO (2) ADDITIONAL RELAYS FOR CONTROL OF PROPOSED 5-STEP REGULATOR VIA EXISTING OUTPUT MODULE 8.
  - ⑮ (1) EXISTING SQUARE D HOM 222, 120VAC OUTPUT MODULES TO BE MODIFIED.
  - ⑯ (1) EXISTING SQUARE D RIM 101, 120VAC INPUT MODULES.

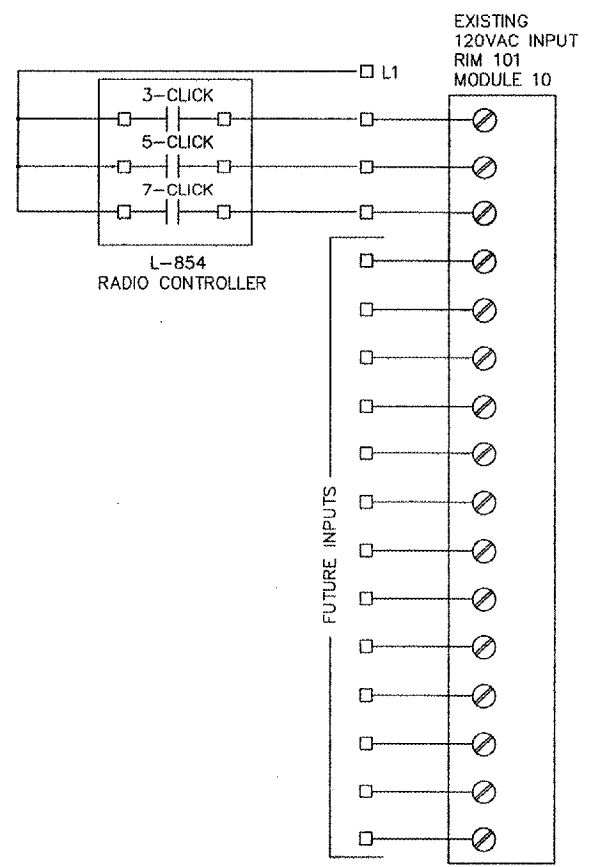


**EXISTING PLC ENCLOSURE POWER SCHEMATIC MODIFICATIONS**

- NOTES:**
- ALL PROPOSED WORK OR ITEMS BEING MODIFIED ARE SHOWN IN BOLD. ALL OTHER ITEMS SHOWN ARE FOR INFORMATIONAL PURPOSES ONLY.
  - MODIFY EXISTING PLC LOGIC TO ADD 5-STEP REGULATOR.



**EXISTING OUTPUT MODULE 9 WIRING SCHEMATIC**



**EXISTING INPUT MODULE 10 WIRING SCHEMATIC**