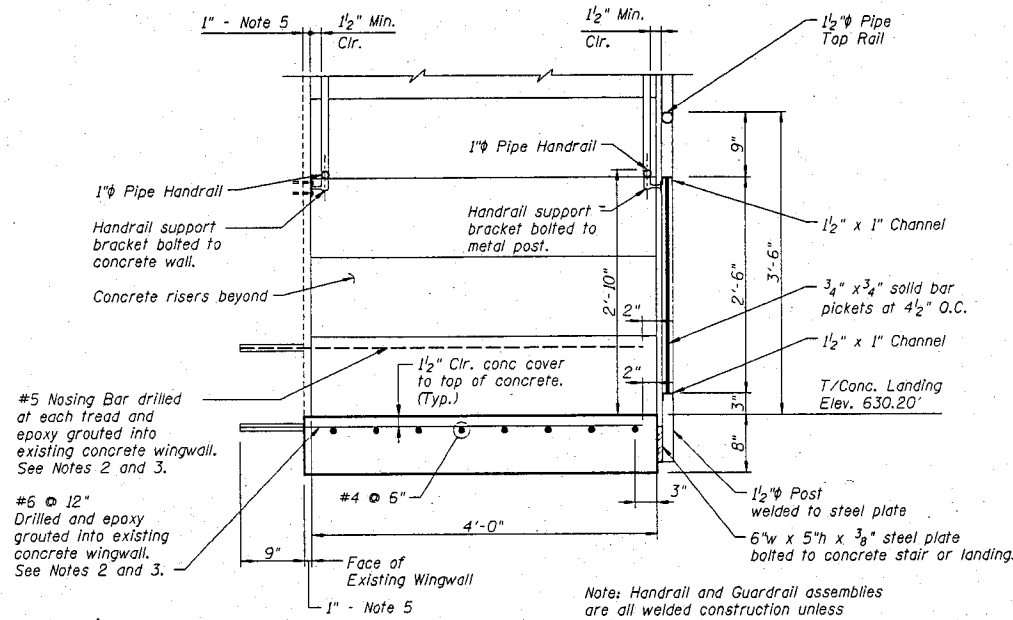


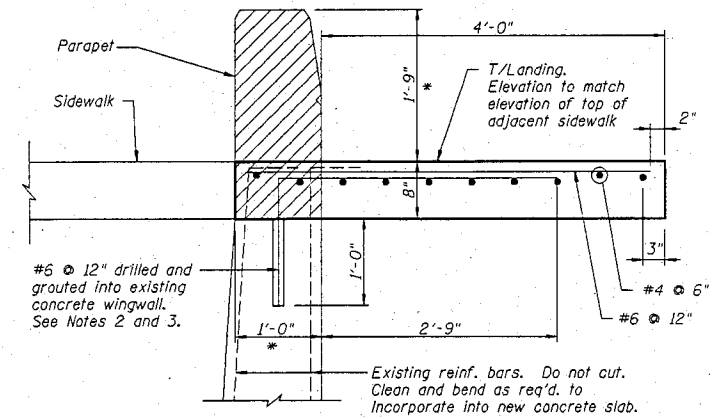
SECTION C-C

SCALE: 1/4"=1'



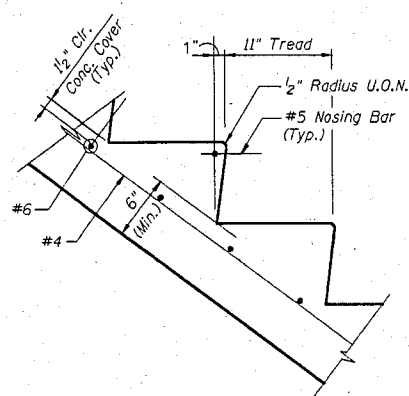
DETAIL D

SCALE: 1"=1'



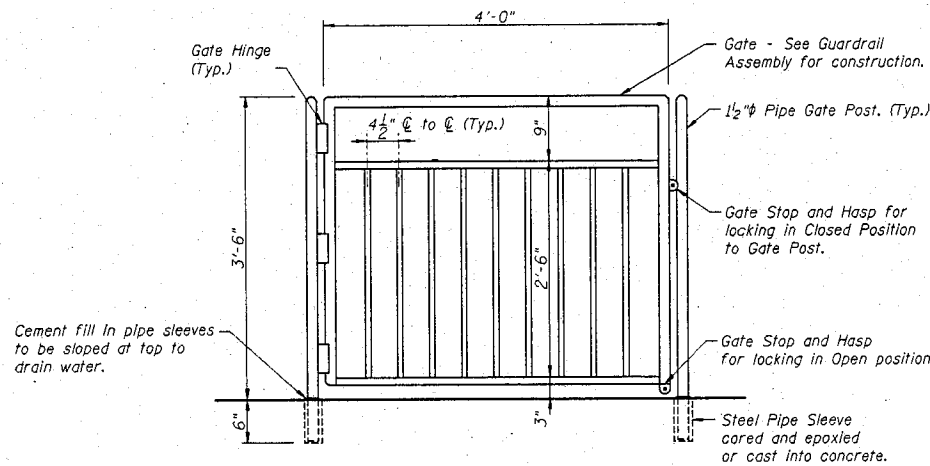
SECTION E-E

SCALE: 1"=1'



TYPICAL STAIR TREAD DETAIL F

SCALE: 1"=1'



TYPICAL GATE DETAIL G

SCALE: 1"=1'

NOTES:

1. For Plan and Sections, see Dwg. No. SST-1.
2. Do not cut existing wingwall reinforcing bars when drilling holes for drilled and epoxied reinforcing bars. Locate reinforcing bars prior to drilling holes by use of a pachometer or by chipping concrete away to expose face of reinforcing bars.
3. Use a two part epoxy adhesive, Hilti Re 500 Adhesive Anchor System as manufactured by Hilti for anchoring reinforcing bars in holes drilled into the existing wingwall. Install in accordance with manufacturer's instructions. Substitutions not allowed without approval of Engineer.
4. Do not remove forms, shoring and falsework for stairs until concrete has attained a minimum compressive strength of 4000 psi at 28 days and the concrete has been in place for a minimum of 28 days.
5. Sawcut, chip and remove 1" deep keyway in existing wingwall for entire length of stair. Keyway depth to match profile of stair. Roughen and bond new concrete to existing with cement slurry.
6. * - Indicates dimensions or elevations to be verified in field by Contractor.

DESIGNED BY: AAG/CLT
DRAWN BY: CHD
CHECKED BY: BJM
CHECKED BY: AAG/CLT

PLANS PREPARED BY:

CTE | AECOM

CTE
303 East Wacker Drive, Suite 600, Chicago, Illinois 60601-5278
T 312.938.0300 F 312.938.1108 www.cte.aecom.com

Revised 2/24/06, DRH

SST-2 FR-416

MINER ST. STAIR SECTIONS AND DETAILS

SHEET 154 OF 167