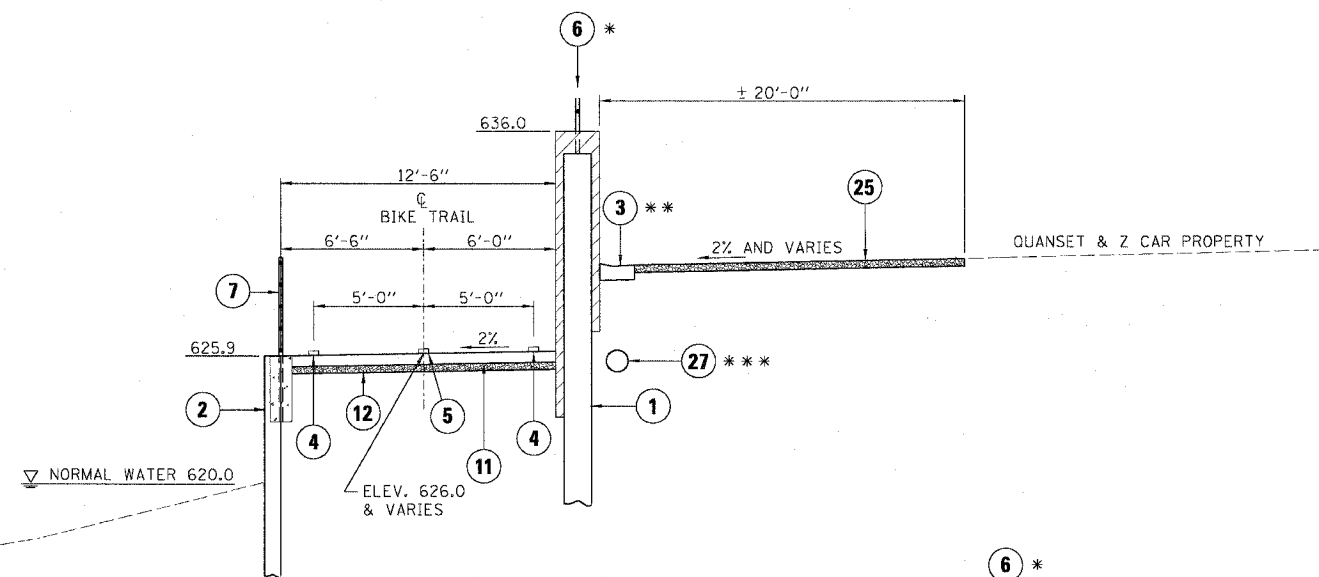
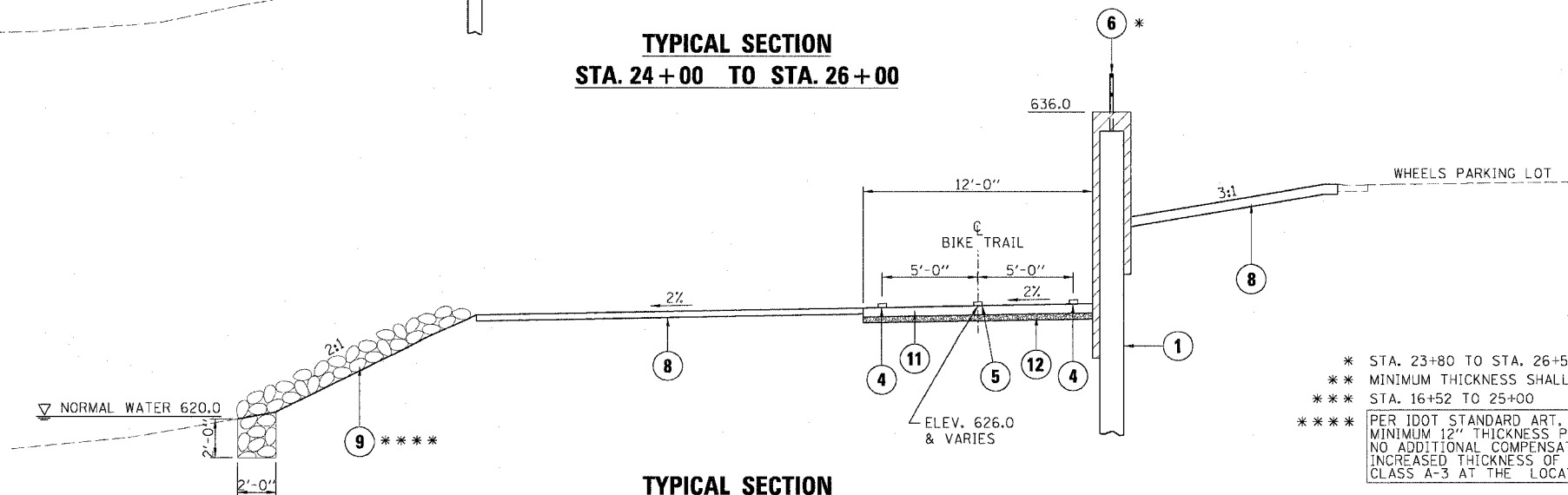


**TYPICAL SECTION**  
**STA. 22+00 TO STA. 24+00**



**TYPICAL SECTION**  
**STA. 24+00 TO STA. 26+00**



**TYPICAL SECTION**  
**STA. 26+00 TO STA. 29+00**

**LEGEND**

- ① FLOODWALL
- ② STEEL SHEET PILE RETAINING WALL
- ③ M-2.12 CURB AND GUTTER
- ④ 4" WHITE THERMOPLASTIC PAVEMENT MARKING
- ⑤ 4" YELLOW THERMOPLASTIC PAVEMENT MARKING
- ⑥ 24" HANDRAIL
- ⑦ 54" HANDRAIL
- ⑧ 6" TOPSOIL AND SEED
- ⑨ STONE DUMPED RIPRAP, CLASS A3 (12" MIN THICKNESS)
- ⑩ 5" PCC SIDEWALK
- ⑪ 6" PCC BIKE TRAIL
- ⑫ 4" SUBBASE GRANULAR MATERIAL, TYPE B
- ⑬ 2" BITUMINOUS CONCRETE SURFACE COURSE
- ⑭ 2 1/4" BITUMINOUS CONCRETE BINDER COURSE
- ⑮ 5" BITUMINOUS BASE COURSE
- ⑯ 6" SUBBASE GRANULAR MATERIAL, TYPE B
- ⑰ PAVEMENT REPLACEMENT
- ⑱ EARTH EXCAVATION
- ⑲ 48" EXPLORATION TRENCH
- ⑳ LEVEE EMBANKMENT
- ㉑ STEEL PLATE BEAM GUARDRAIL, TYPE A (SPECIAL)
- ㉒ 4" WHITE POLYUREA PAVEMENT MARKING
- ㉓ 4" DOUBLE YELLOW POLYUREA PAVEMENT MARKING
- ㉔ 6" PIPE UNDERDRAIN
- ㉕ 4" AGGREGATE SHOULDER
- ㉖ STEEL PLATE BEAM GUARDRAIL, TYPE A
- ㉗ 12" RCP STORM SEWER, TYPE 2, CLASS III

\* STA. 23+80 TO STA. 26+50 (SEE FLOOD WALL PLANS)  
 \*\* MINIMUM THICKNESS SHALL BE 8"  
 \*\*\* STA. 16+52 TO 25+00

\*\*\*\* PER IDOT STANDARD ART. 281.04 (d),  
 MINIMUM 12" THICKNESS PLACED ON FILTER FABRIC,  
 NO ADDITIONAL COMPENSATION WILL BE MADE FOR THE  
 INCREASED THICKNESS OF THE STONE DUMPED RIP RAP,  
 CLASS A-3 AT THE LOCATION OF THE TOE TRENCH.

01/30/2006 10:01:10 AM P:\P00003332\General\Shf\AD2g06.shf

DESIGNED BY:  
DRAWN BY:  
CHECKED BY:  
CHECKED BY: