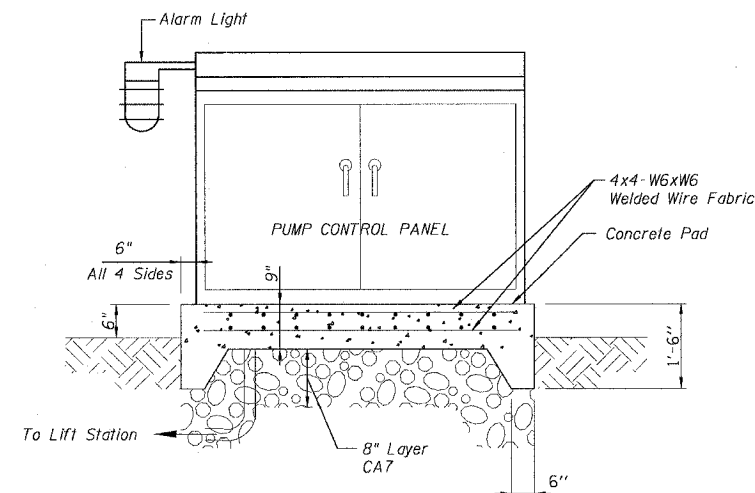


BASE PLAN

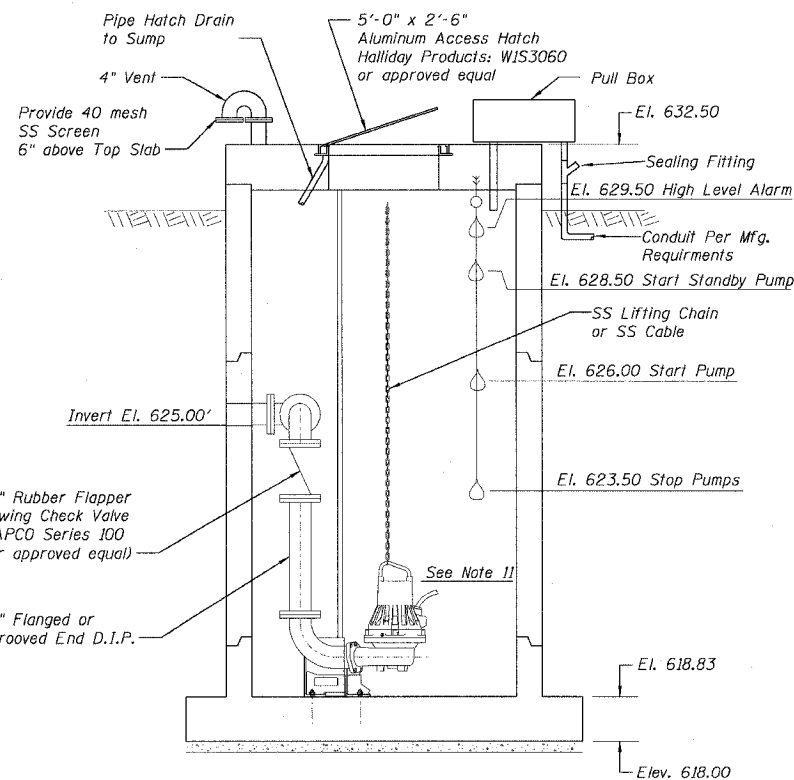
TOP PLAN



CONTROL ENCLOSURE

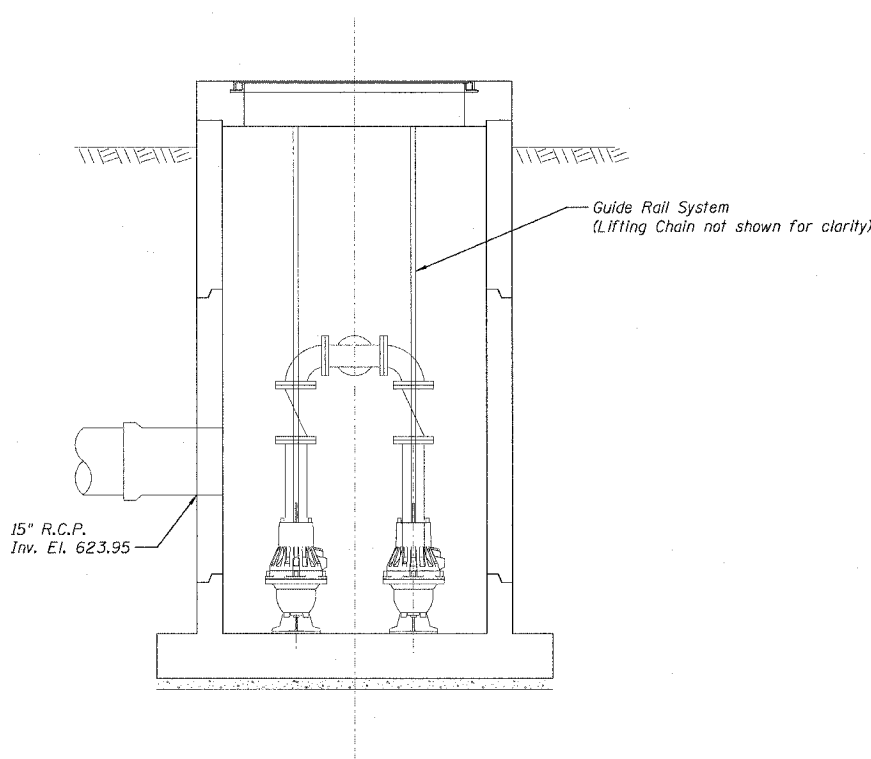
NOTES:

- Contractor to order control & power cords of sufficient length to reach Control Panel from point of origin on pumps without splicing.
- All piping and valves are to be provided by the Contractor unless otherwise noted.
- The Contractor is to verify all dimensions, elevations, piping layout and orientation of inlet, discharge and conduits.
- All excavation for structures shall be kept dewatered during construction operations until backfill is in place. Provisions shall be made to prevent the bottom of all excavations from freezing or flooding at all times.
- Refer to Equipment Manufacturer's drawing for size and location of all openings, anchor bolts and other miscellaneous embedded items to be incorporated into the Work and for verification of all dimensions prior to construction. Any changes shall be brought to the attention of the Engineer and shall be done at no addition cost to the Owner. All anchor bolts and embedded items shall be stainless steel Type 316 unless otherwise noted.
- Aluminum in contact with concrete shall be isolated from the concrete with a heavy coating of asphalt or other approved bituminous material.
- (*) denotes dimensions to be coordinated with Pump Manufacturer.
- SS - denotes Stainless Steel.
- See Project Specifications for requirements specific to pump, controls, and electrical components.
- SS Victaulic Couplings may be used in place of Flanged Jointing.
- The electrical installation in the wet well shall be explosion-proof in accordance with the requirements of the National Electrical Code for Class 1, Division 2 Areas.
- See Sheet SWPS-1 for structural details and dimensions of pump station.



SECTION A-A

Invert El. 625.00'



SECTION B-B

DESIGNED BY: _____
DRAWN BY: _____
CHECKED BY: _____
CHECKED BY: _____

PLANS PREPARED BY:

CTE | AECOM

CTE
303 East Wacker Drive, Suite 600, Chicago, Illinois 60601-5276
T 312.938.0300 F 312.938.1109 www.cte.aecom.com

REVISION	
DATE	DESCRIPTION

FR-416