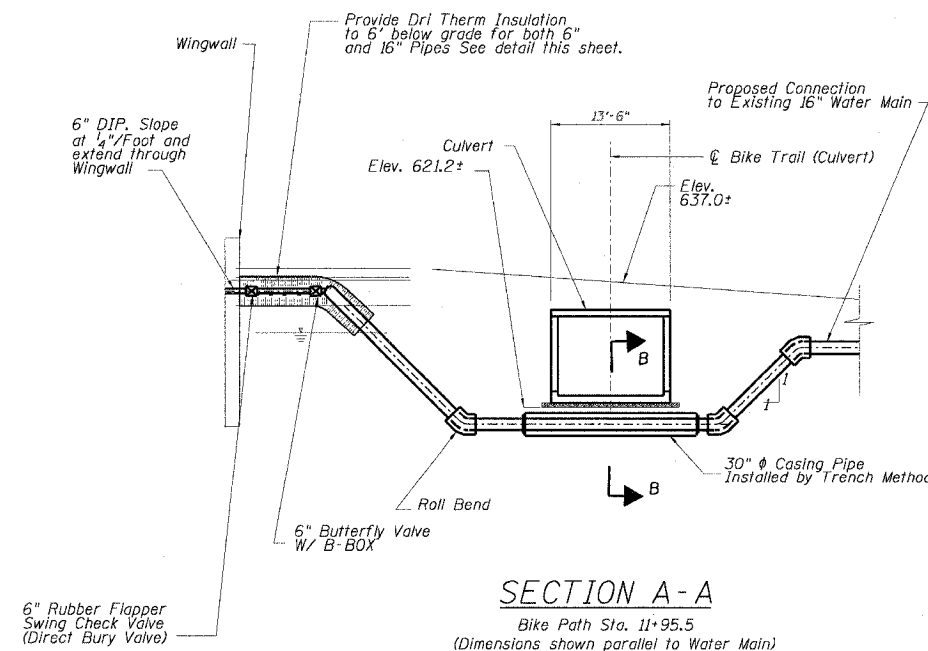
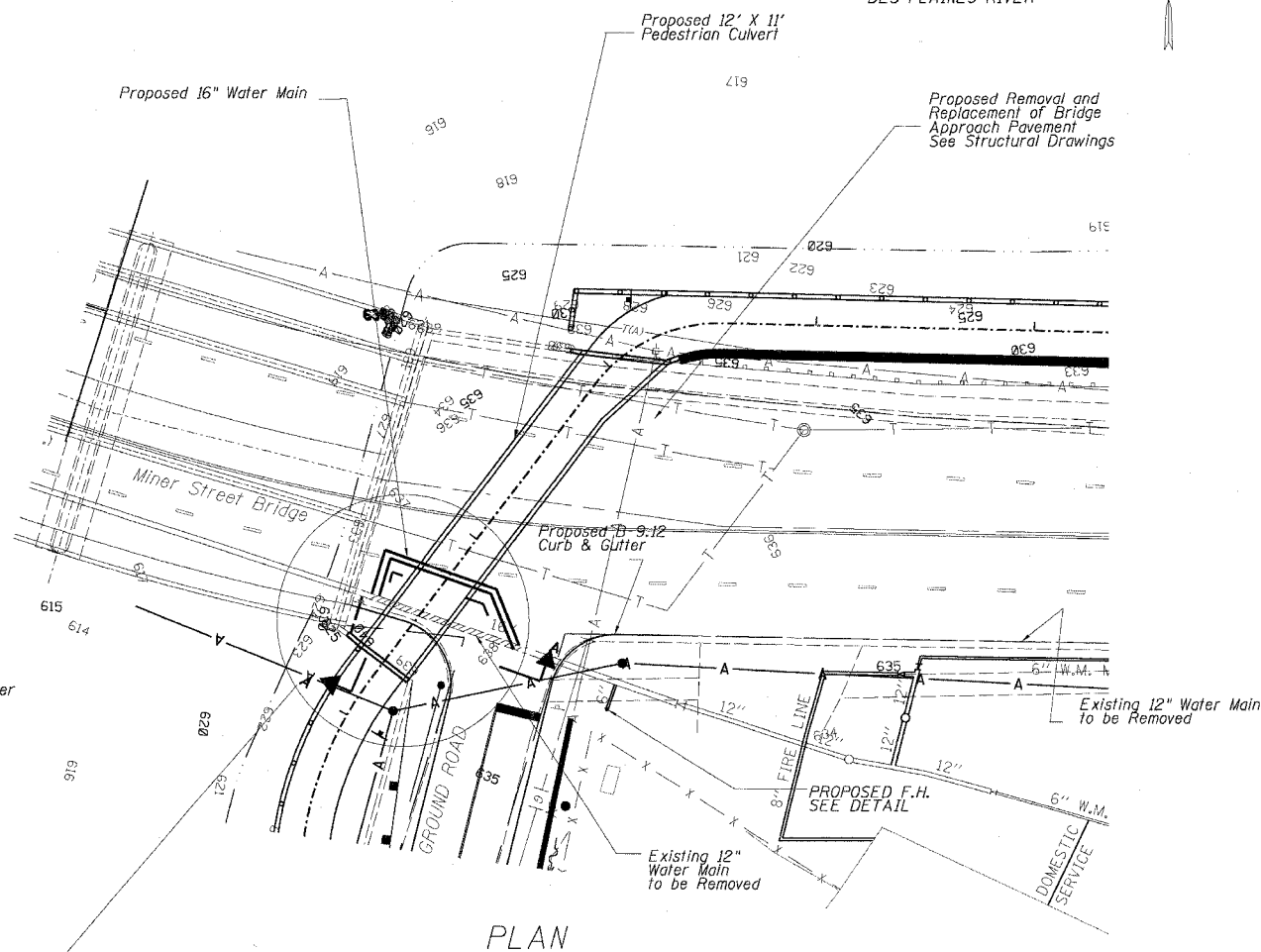
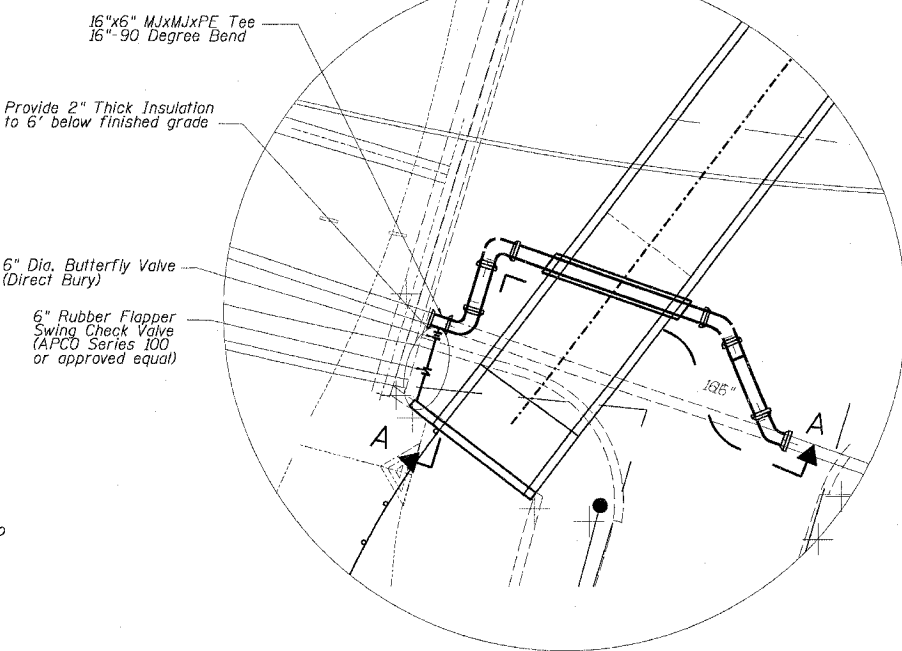
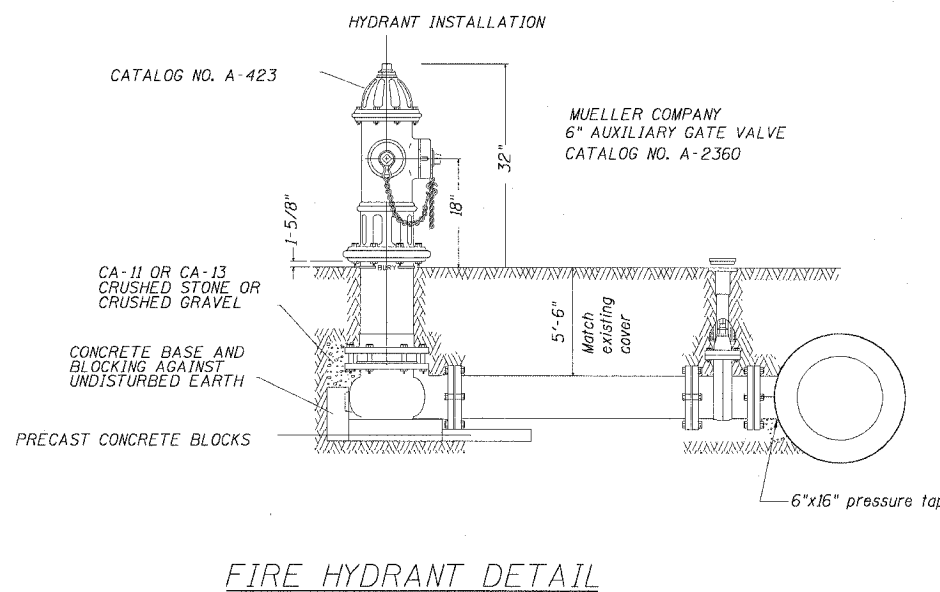
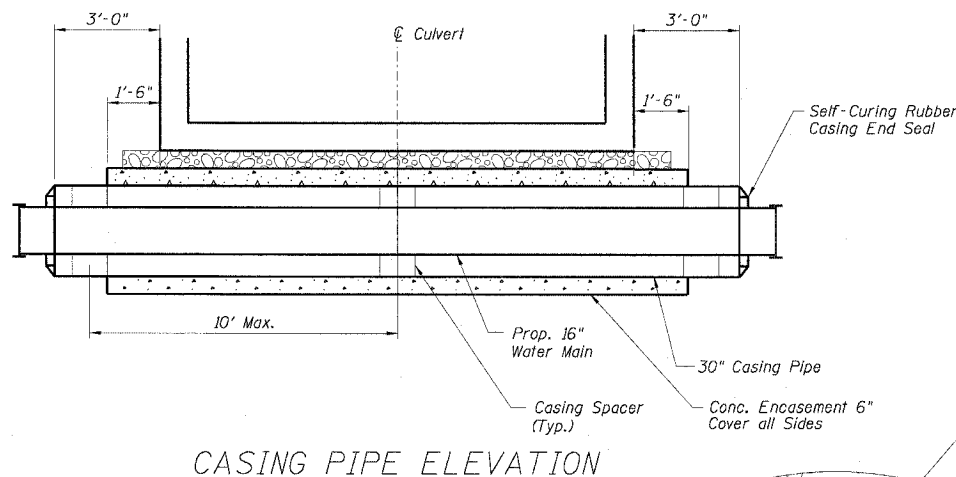
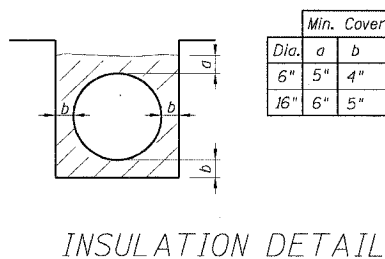
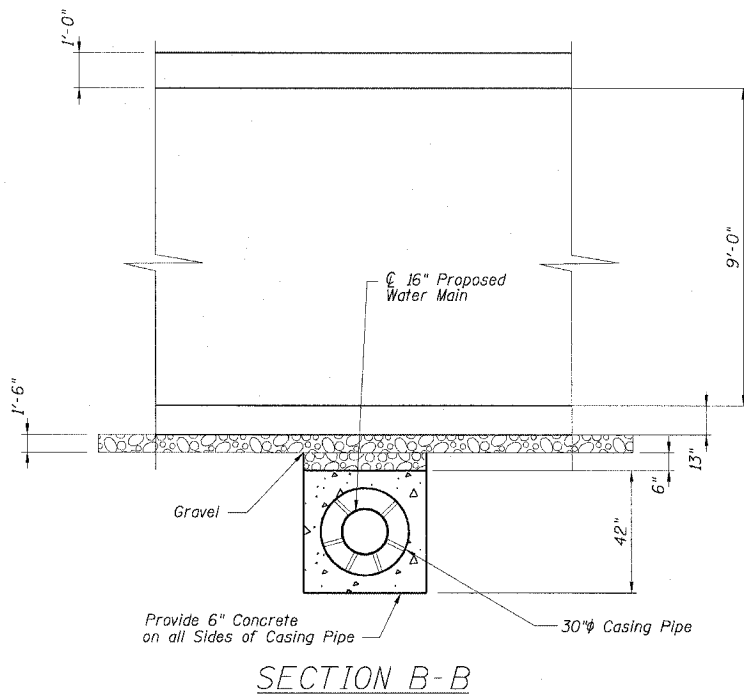


General Notes and Suggested Sequence of Work

1. The alignment of the existing 16" water main in Miner Street is in conflict with the future alignment of the box culvert and must be lowered. In order to minimize interruption of service to the City this relocation must be accomplished in stages. Any shut down of this water main must be coordinated with the City of Des Plaines and shall be for no more than four hours. Provisions have been made within the design of this water main relocation to vent the water main during filling at both the west and east end of the pipe. It should be noted that the water main has minimal coverage at the bridge abutment. Therefore, insulation must be provided for any water main until the pipes are greater than 4 feet below the bottom of the approach slab. All work related to the relocation of the water main is to be paid under the lump sum pay item unless otherwise noted.
2. There is an existing 16" diameter water valve located within the intersection of River Road and Miner Street. A second shut-off valve is on the 12" section of pipe immediately east of the east tie-in point. These two valves were installed in about 1989, are reportedly in operating condition, and are to be used to shut off the pipe when required. The City of Des Plaines will operate all water system valves.
3. All water main to be polyethylene encased Class 52 ductile iron pipe with the exception of the pipe within the casing pipe. All pipe and fittings provided are to be provided with mechanical joints and each joint is to be restrained with Megalugs. In addition, some of the existing pipe joints are to be exposed and Megalugs Series 1100 HD are to be installed over those push joints.
4. The water main under the culvert pipe is to be installed in a 30" diameter steel casing pipe. The casing pipe is to be installed by trench method and then the trench backfilled with concrete to limits shown to provide a minimum of 6" of cover around the pipe. Provide casing spacers and end seals at ends of casing pipe. The contractor is to provide support for and protect existing water main during insulation of the by pass section of water main.
5. At east end of the proposed water main relocation a new fire hydrant is to be installed using a pressure tap so that it is ready to be used to bleed air from the system during filling. See detail this sheet.
6. A suggested sequence of work is presented in the special provisions for this pay item.



DESIGNED BY: \_\_\_\_\_  
DRAWN BY: \_\_\_\_\_  
CHECKED BY: \_\_\_\_\_  
CHECKED BY: \_\_\_\_\_

01/30/2006 10:57:52 AM P:\P60003332\Mech\A5H\propWater.sht