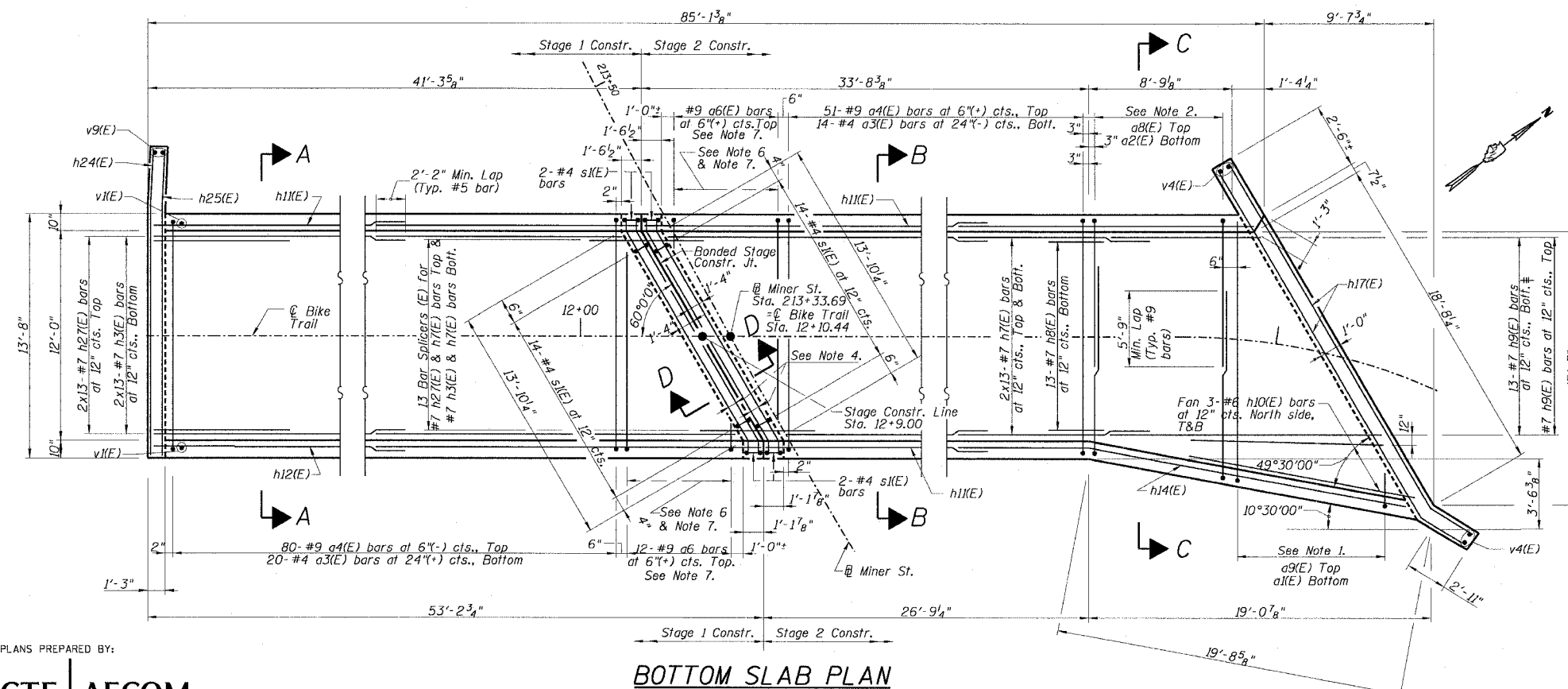
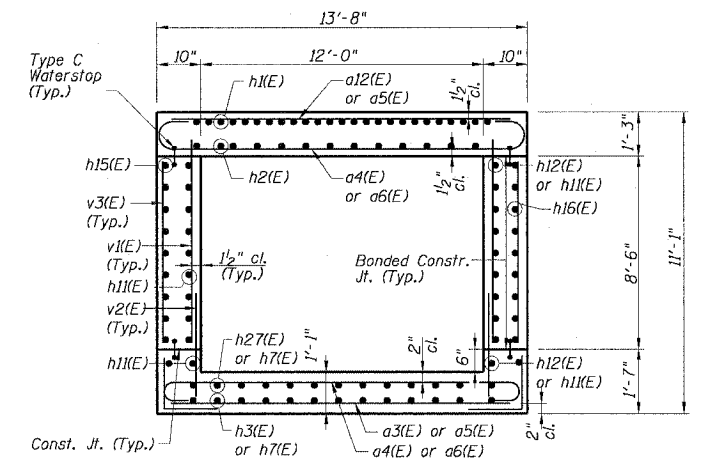


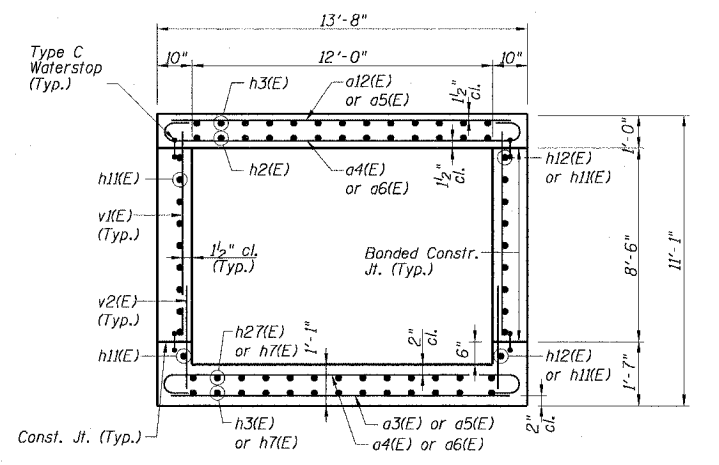
TOP SLAB PLAN



BOTTOM SLAB PLAN



SECTION A-A



SECTION B-B

NOTES:

1. Order full length of a1(E) and a9(E) bars. Using the cutting diagram on Sheet SMU-7, place 6-#5 a1(E) bars at 18" cts. as top reinf. and 19-#9 a9(E) at 6" cts. as bottom reinf. in the top slab. Place remaining a1(E) at 18" cts. as bottom reinf. and remaining a9(E) bars at 6" cts. as top reinf. in the bottom slab.
2. Order full length of a2(E). Using the cutting diagram on Sheet SMU-7, place 7-#5 a2(E) bars at 18" cts. as top reinf. and 2 x 18-#9 a8(E) at 6" cts. as bottom reinf. in the top slab. Place remaining a2(E) at 18" cts. as bottom reinf. and 2 x 18-#9 a8(E) bars at 6" cts. as top reinf. in the bottom slab.
3. 2-#6 a10(E) Top, 4-#10 a11(E) Bottom.
4. 2-#6 a10(E) Bottom, 4-#10 a11(E) Top.
5. 4-#5 a5(E) bars, at 22" cts., Top
6. 4-#5 a5(E) bars, at 22" cts., Bottom
7. a5(E) & a6(E) bars shall be ordered full length and cut to fit. Balance of bar to be used on opposite side of Stage Constr. Joint. See Cutting Diagram on Sheet SMU-7.
8. h9(E) bars shall be ordered full length. Balance of bar to be used in the top layer. See Cutting Diagram on Sheet SMU-7.
9. For Sections C-C and D-D, See Sheet SMU-5.
10. For Waterstop Details, see Sheet SGND-2.

REVISION	
DATE	DESCRIPTION

PLANS PREPARED BY:
CTE | AECOM

CTE
303 East Wacker Drive, Suite 600, Chicago, Illinois 60601-5276
T 312.938.0300 F 312.938.1109 www.cte.aecom.com

SCALE: NONE

SMU-4 FR-416

01/31/2006 11:05:03 AM p:\p60003332\struct\shh\03s100-SMU-4.sht

DESIGNED BY: MMB CHECKED BY: BJM
DRAWN BY: RJM