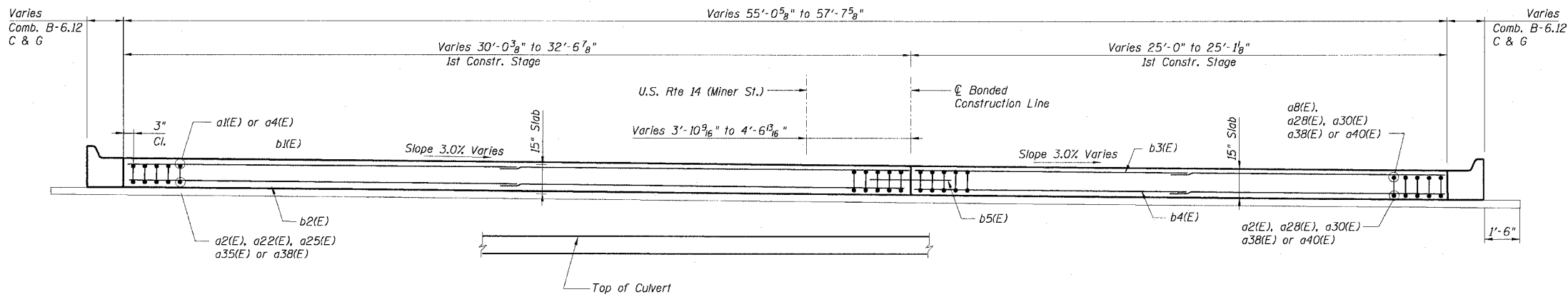
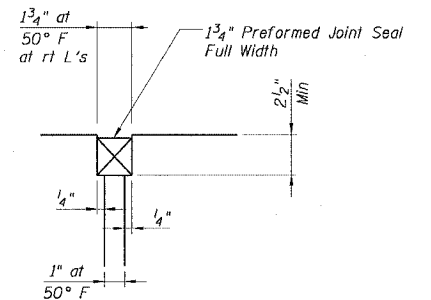


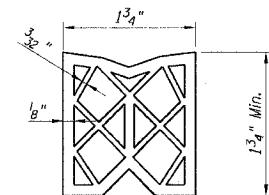
SECTION A-A



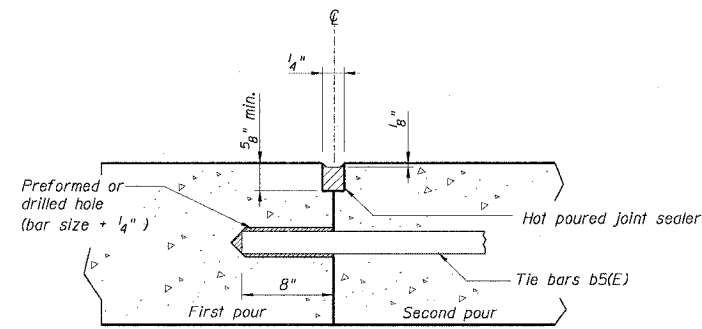
SECTION B-B



DETAIL A



PREFORMED JOINT SEAL



LONGITUDINAL CONSTRUCTION JOINT

(Tie Bar Grouted in place)

PLANS PREPARED BY:

CTE | AECOM

CTE
303 East Wacker Drive, Suite 600, Chicago, Illinois 60601-5276
T 312.938.0300 F 312.938.1109 www.cte.aecom.com

REVISION	
DATE	DESCRIPTION

SCALE: NONE

SMU-9 FR-416

DESIGNED BY: DCC CHECKED BY: BJM DRAWN BY: BJU CHECKED BY: BJM