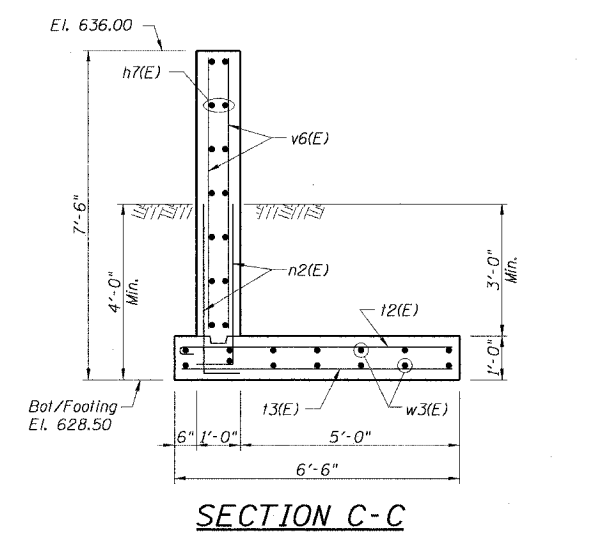
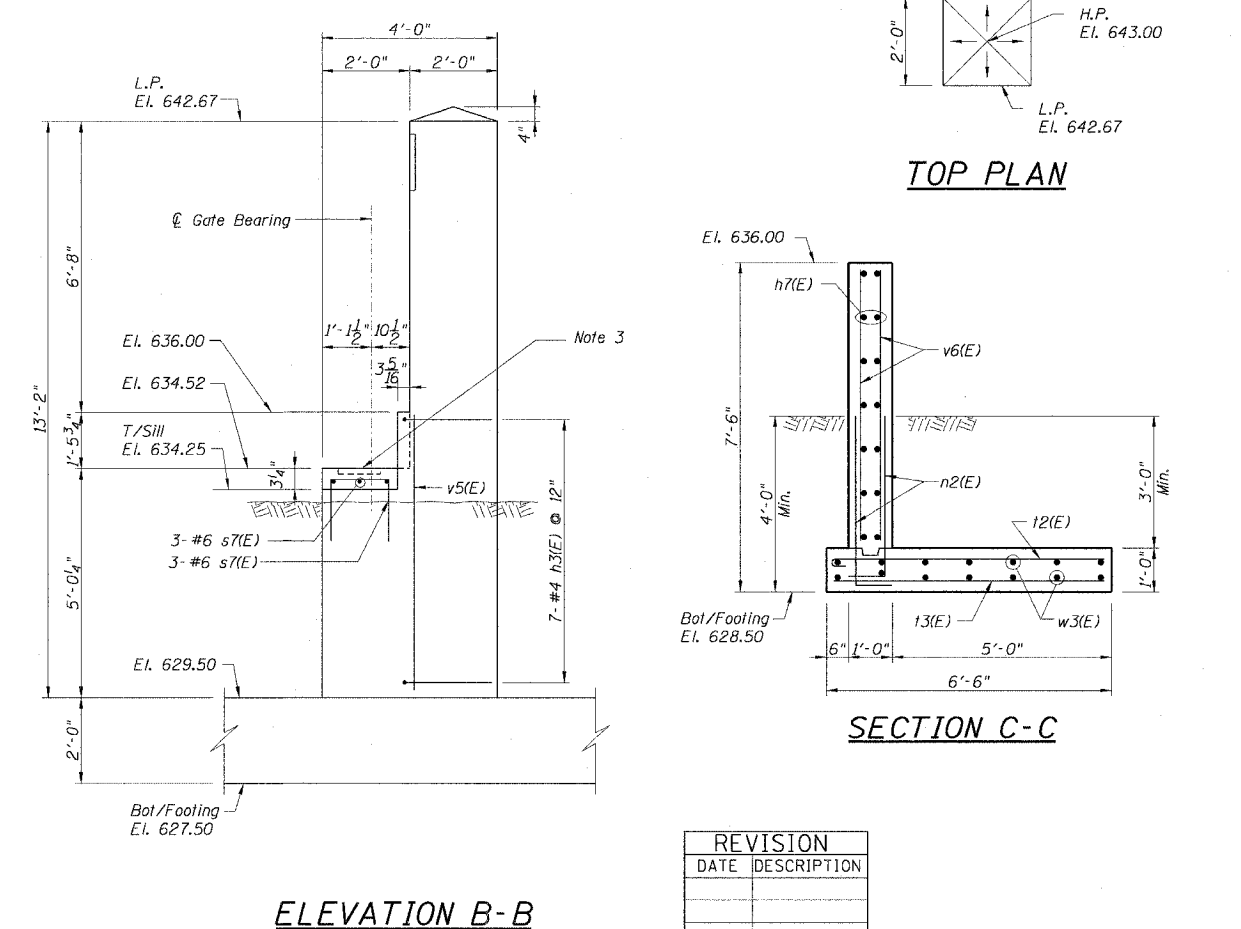
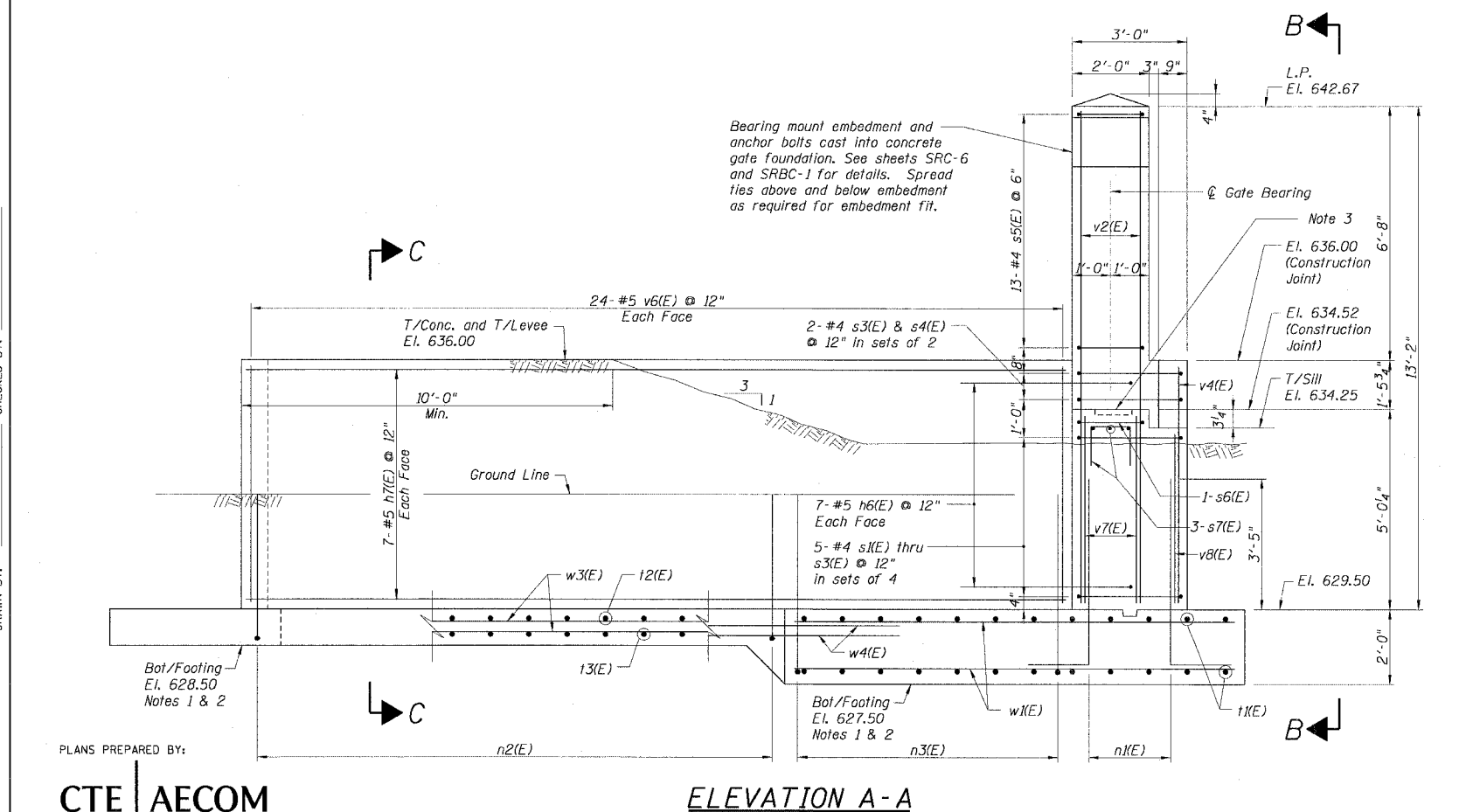
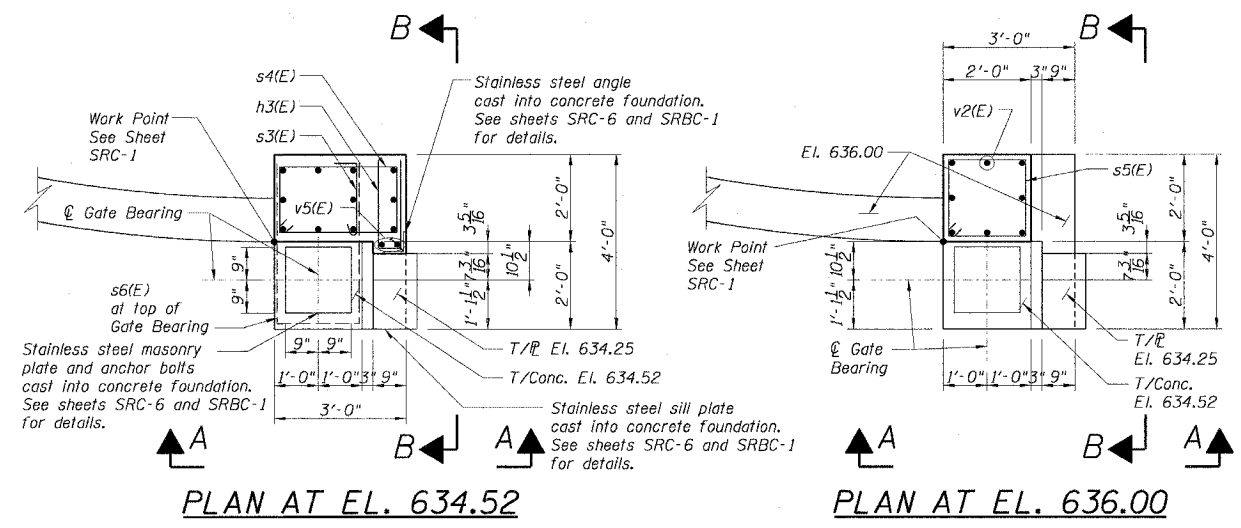
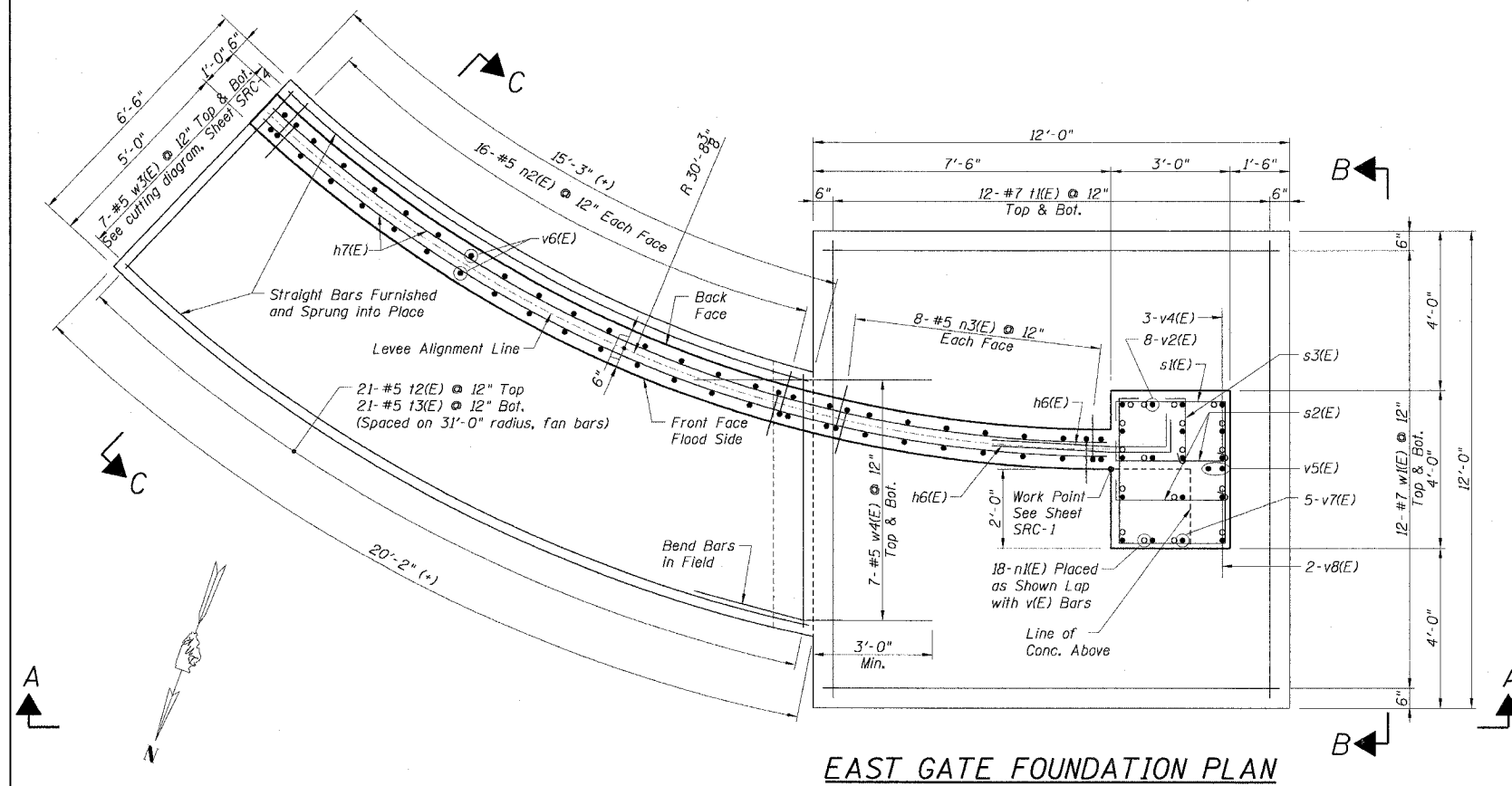


NOTES:

1. Assumed Net Design Soil Bearing Pressure = 2500 Psf. Verify in field with Independent Geotechnical Engineer.
2. If excavation for footings encounter granular material, overcut excavation one foot and backfill with low plasticity silty clay placed in 9" loose layers and compacted to 90% ASTM D1557. This work will not be measured for payment but will be included in the contract unit price for "STRUCTURE EXCAVATION".
3. For size and location of pocket in top of foundation for shear lugs welded to masonry plate see sheet SRBC-1.



REVISION	
DATE	DESCRIPTION

CTE | AECOM

CTE
303 East Wacker Drive, Suite 600, Chicago, Illinois 60601-6276
T 312.938.0300 F 312.938.1109 www.cte.aecom.com

01/31/2006 08:50:46 AM p:\p60003332\struct\shf\035122-SRC-3.sht

DESIGNED BY: AAG
DRAWN BY: EMT
CHECKED BY: AAG/DRV/MB