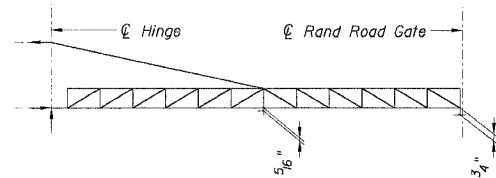
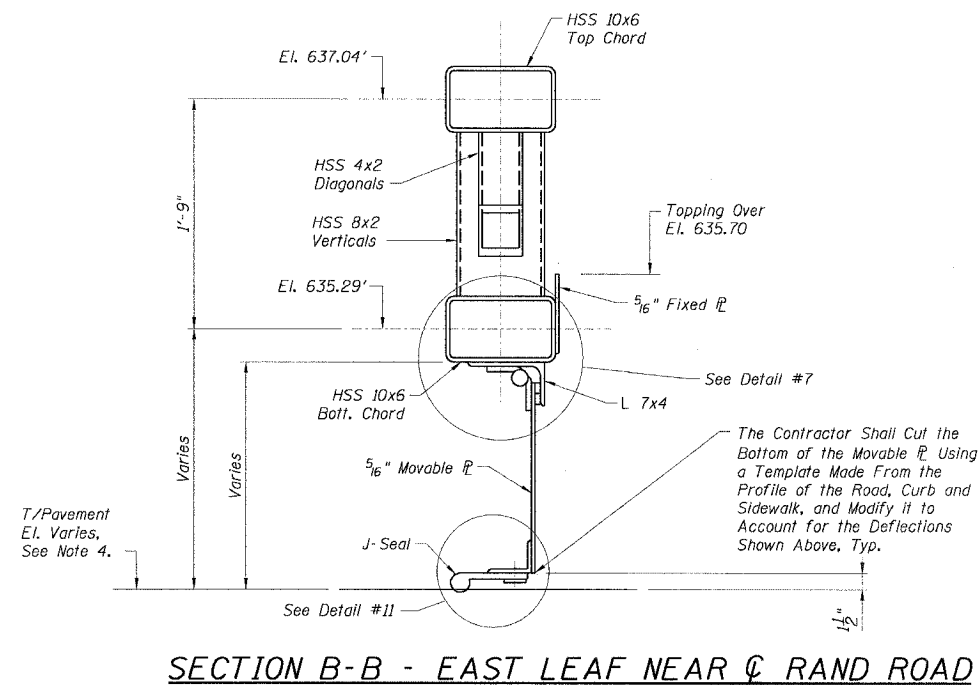
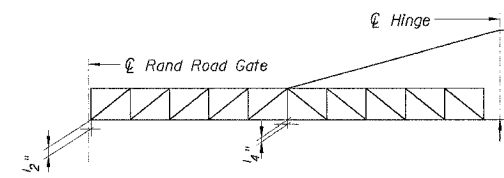


ELEVATION A-A - LOOKING SOUTH

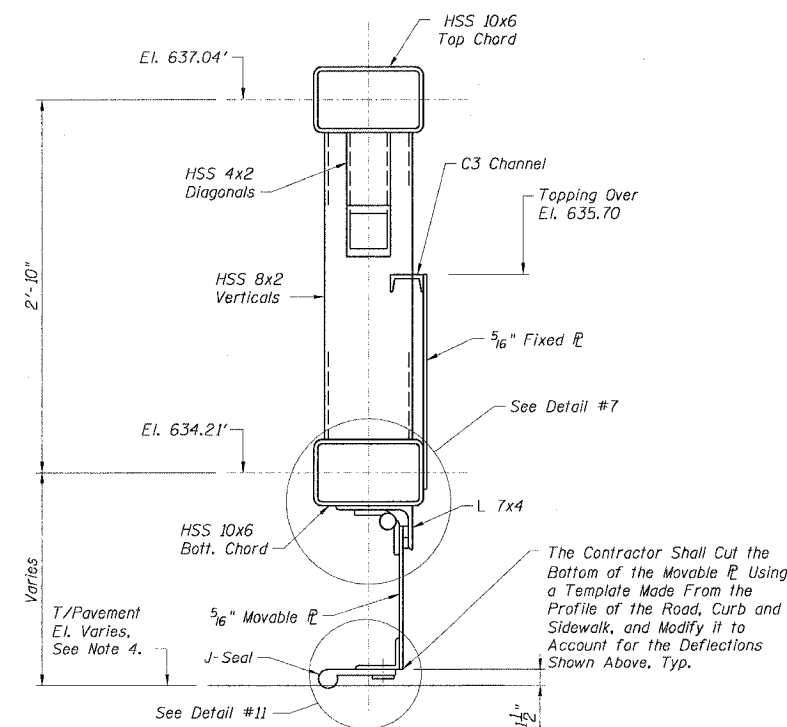
EAST LEAF - THEORETICAL DEFLECTION DIAGRAM



WEST LEAF - THEORETICAL DEFLECTION DIAGRAM



SECTION B-B - EAST LEAF NEAR CENTER OF RAND ROAD



SECTION C-C - WEST LEAF AT GUTTER LINE

**NOTES:**

1. For Plan and Detail Elevations, see Sheets SRC-6 & SRC-7.
2. For Details #7 & #11, see Sheet SRBC-2.
3. For General Notes, see Sheet SGND-1.
4. Top of Pavement Elevations shown are Approximate and must be verified in Field by Contractor prior to Fabrication of Movable Plate in bottom of Gate.

REVISION	
DATE	DESCRIPTION

PLANS PREPARED BY:

**CTE | AECOM**

CTE  
303 East Wacker Drive, Suite 600, Chicago, Illinois 60601-5276  
T 312.938.0300 F 312.938.1109 www.cte.aecom.com

SCALE: NONE

**SRC-5** FR-416