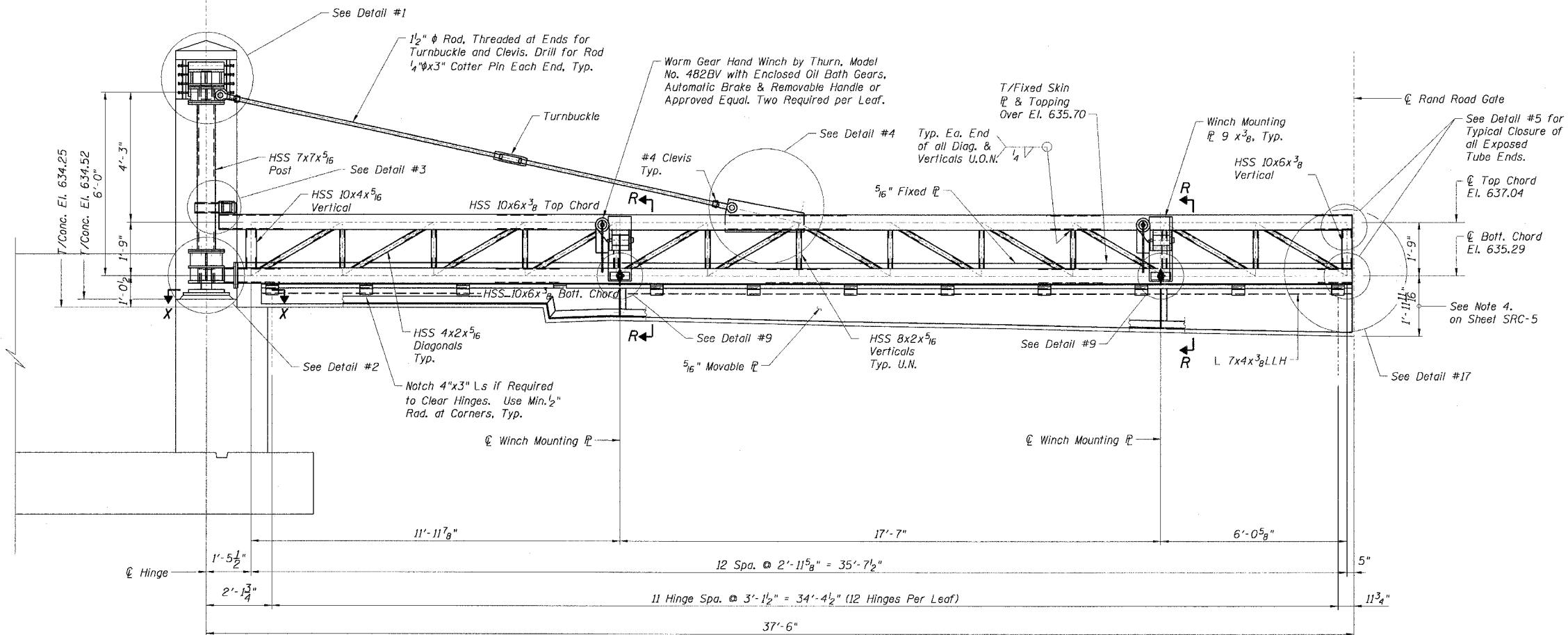
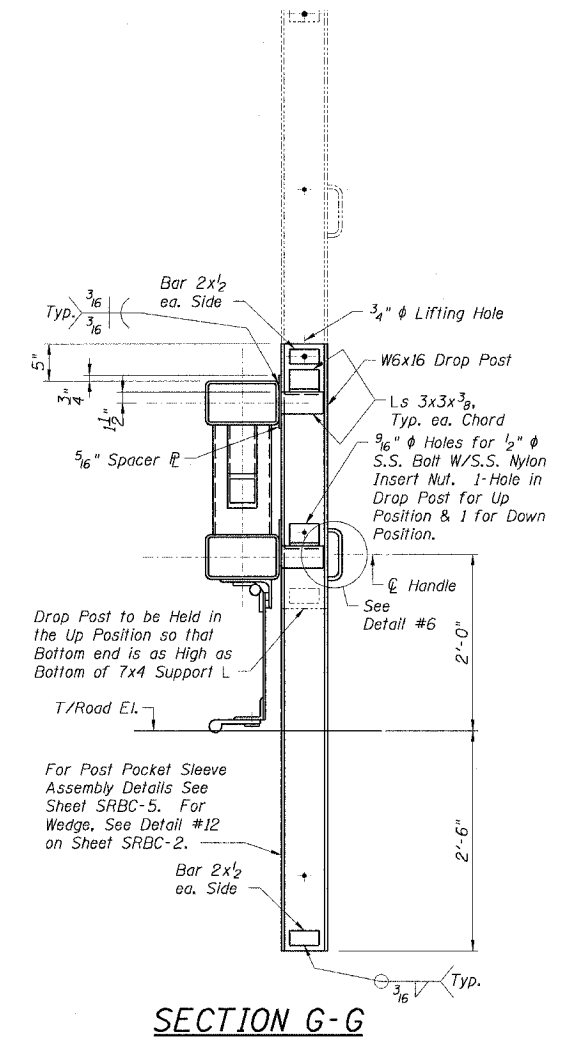


PLAN - EAST LEAF



ELEVATION - EAST LEAF LOOKING SOUTH



SECTION G-G

NOTES:

1. For Details and Sections, see Sheets SRBC-1 Through SRBC-5.
2. For General Notes, see Sheet SGND-1.

DESIGNED BY: DAS
DRAWN BY: DAS/RJ
CHECKED BY: AG/DAS

PLANS PREPARED BY:

CTE | AECOM

CTE
303 East Wacker Drive, Suite 600, Chicago, Illinois 60601-5276
T 312.938.0300 F 312.938.1109 www.cte.aecom.com

REVISION	
DATE	DESCRIPTION

SRC-6

SCALE: NONE

FR-416