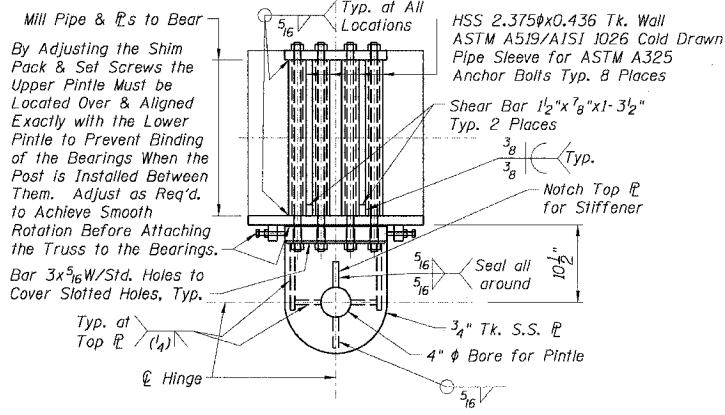
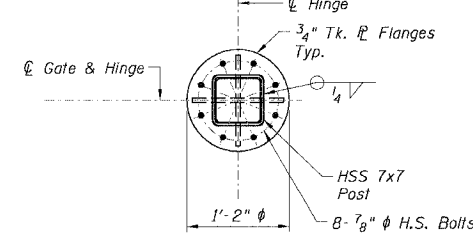


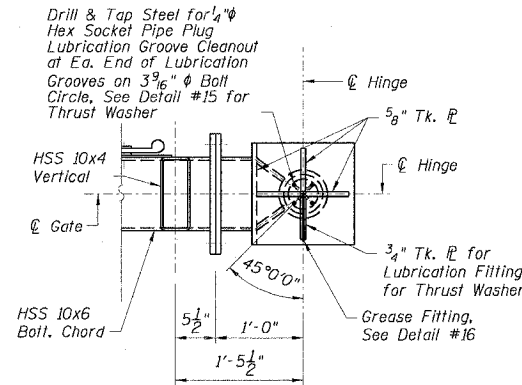
SECTION B-B



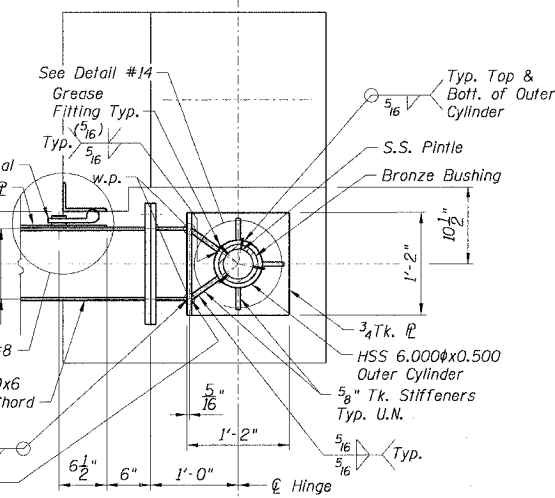
SECTION C-C



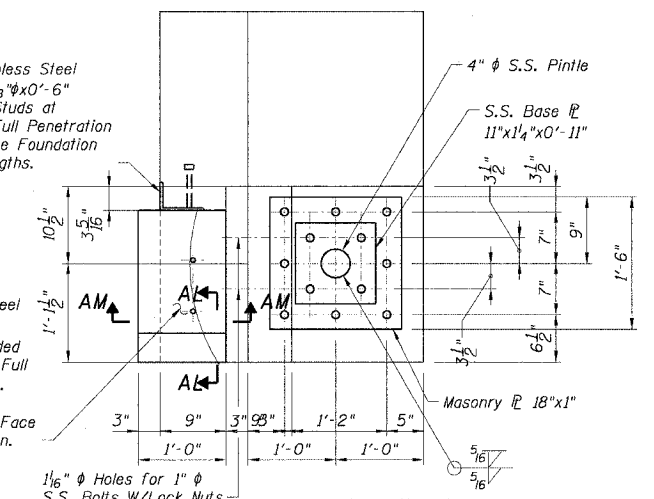
SECTION F-F



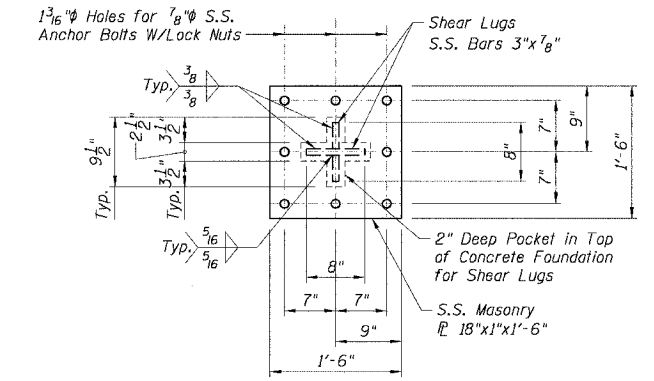
SECTION E-E



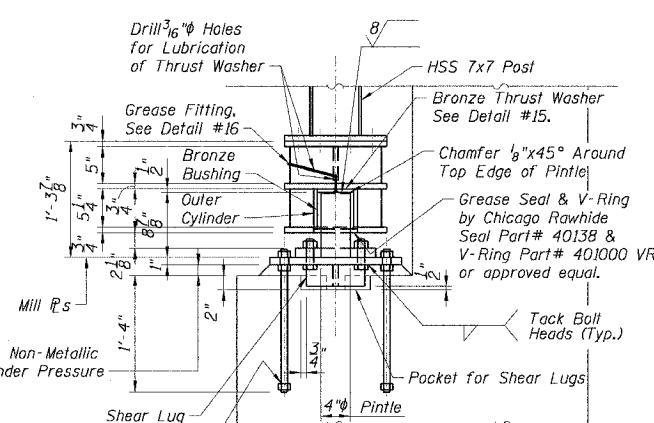
SECTION D-D



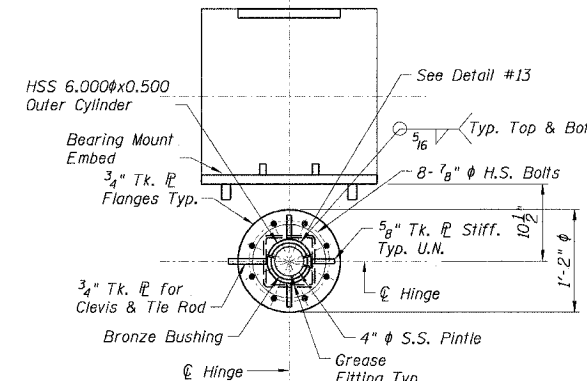
SECTION P-P



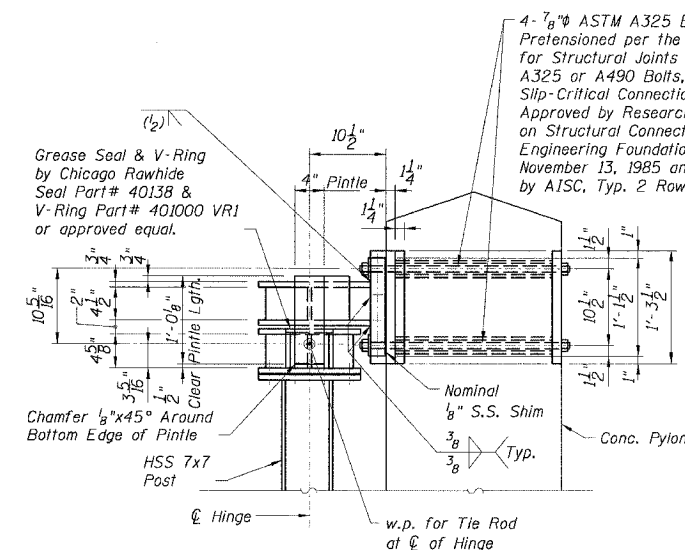
SECTION Q-Q



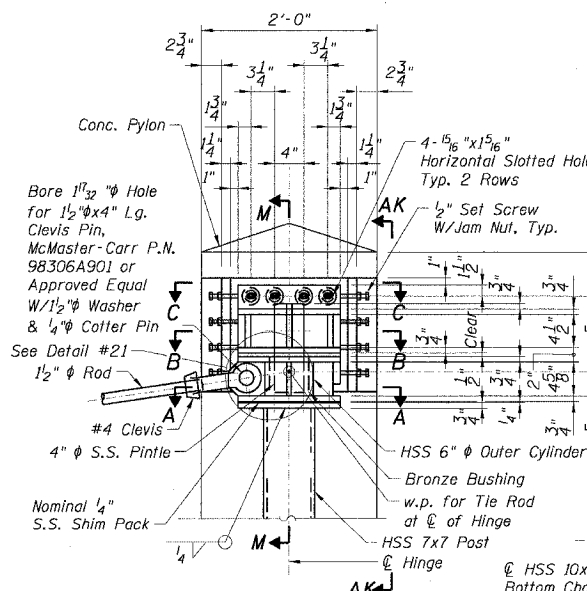
SECTION L-L



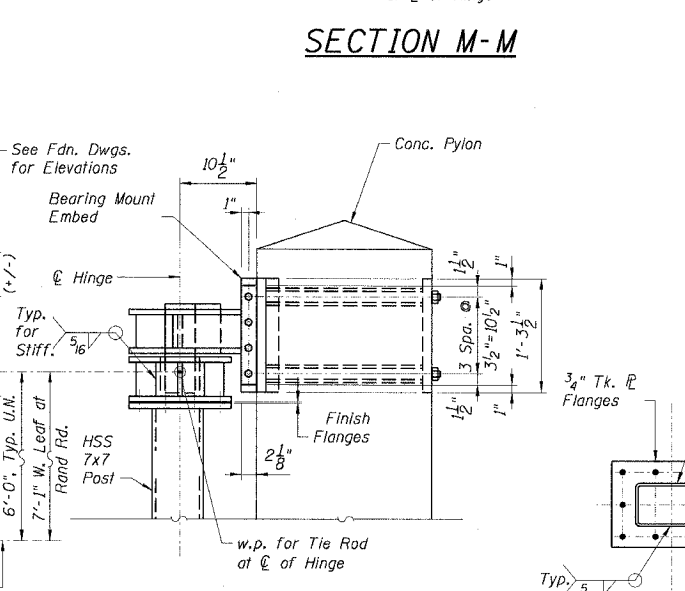
SECTION A-A



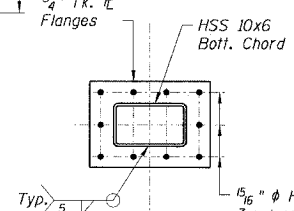
SECTION M-M



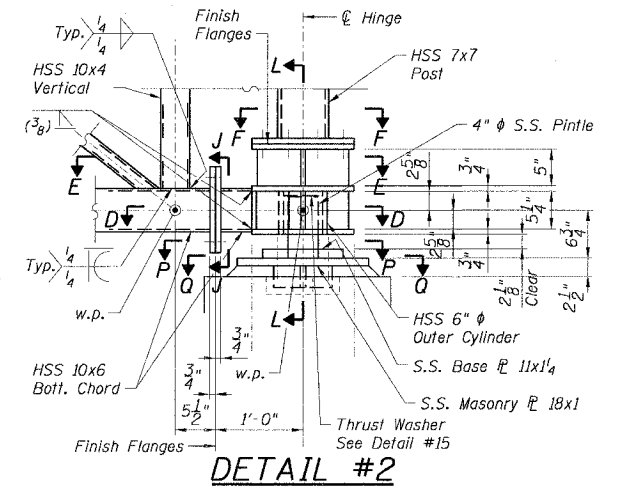
DETAIL #1



VIEW AK-AK



SECTION J-J



DETAIL #2

**NOTES:**

1. Work Sheets SRBC-1 thru SRBC-5 Together.
2. Fits & Finishes for Bearings Shall be in Accordance with the American Association of State Highway and Transportation Officials (AASHTO) Standard Specifications for Movable Highway Bridges and American National Standards Institute (ANSI) B4.1 and B46.1.
3. ✓ Indicates Surface Finish Requirements.

REVISION	
DATE	DESCRIPTION

SCALE: NONE

SRBC-1 FR-416