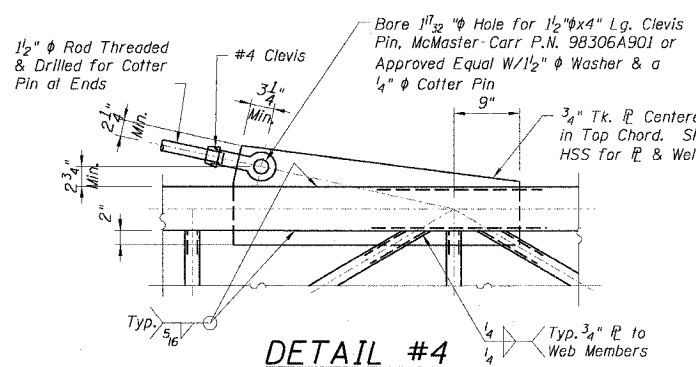
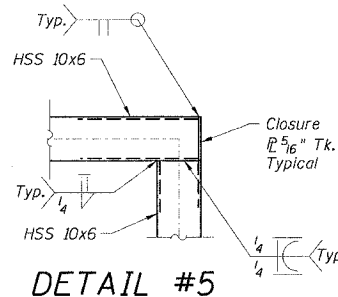


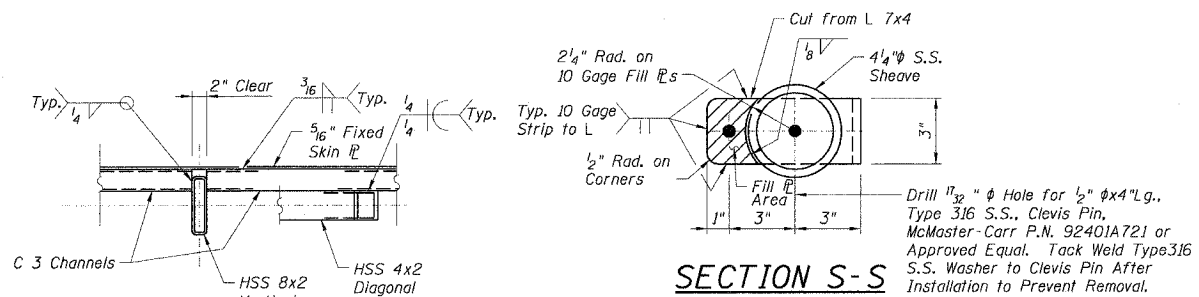
DETAIL #3



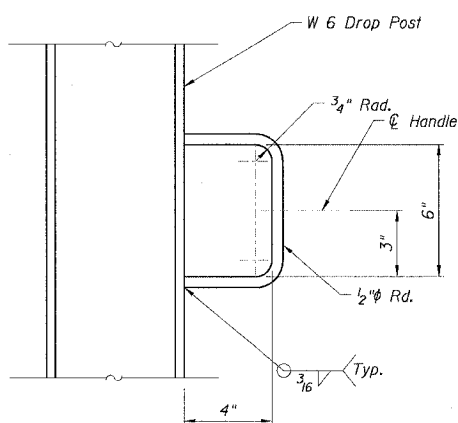
DETAIL #4



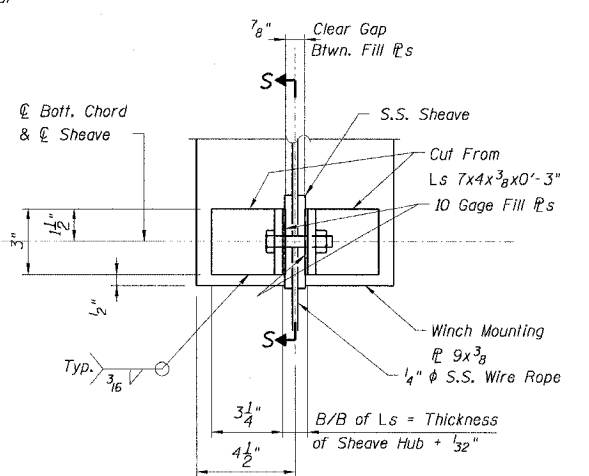
DETAIL #5



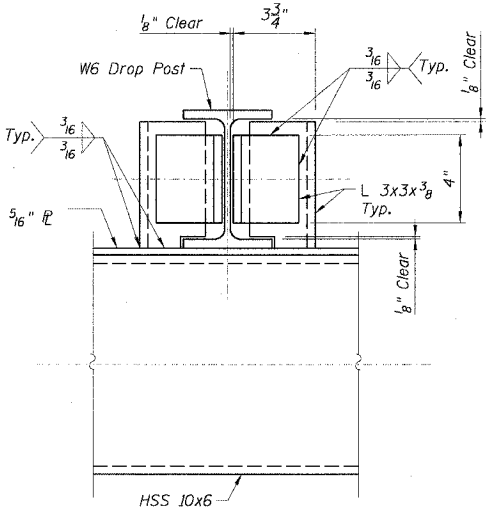
SECTION S-S



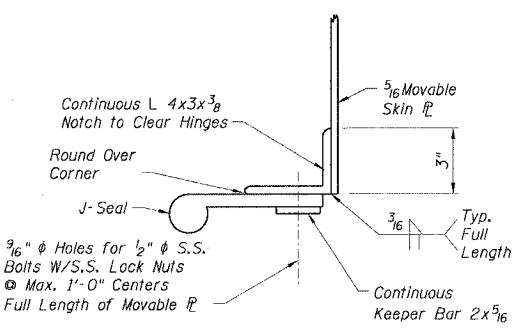
DETAIL #6



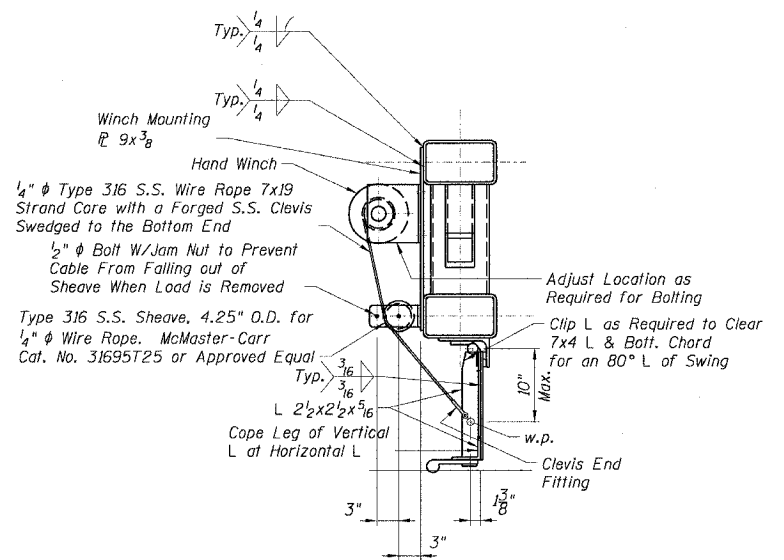
DETAIL #9



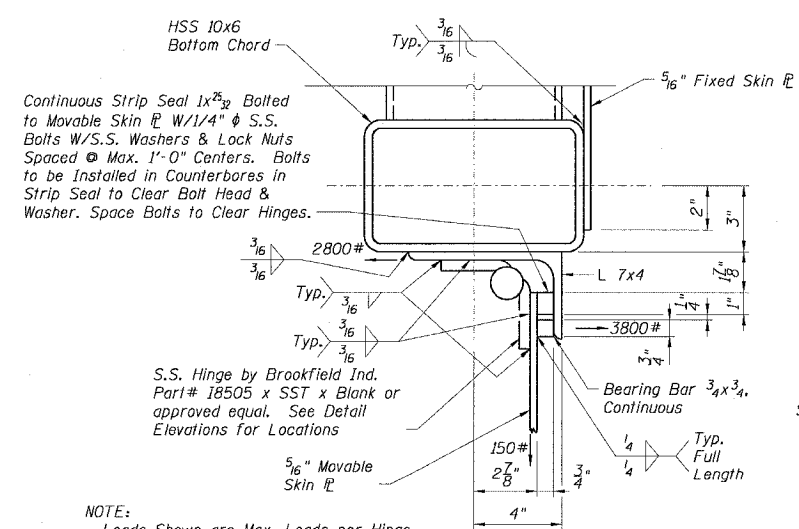
DETAIL #10



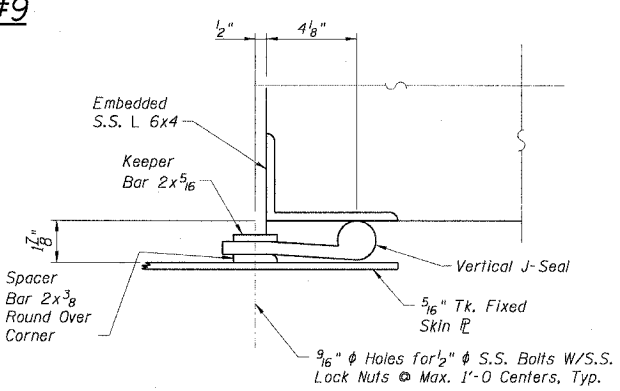
DETAIL #11



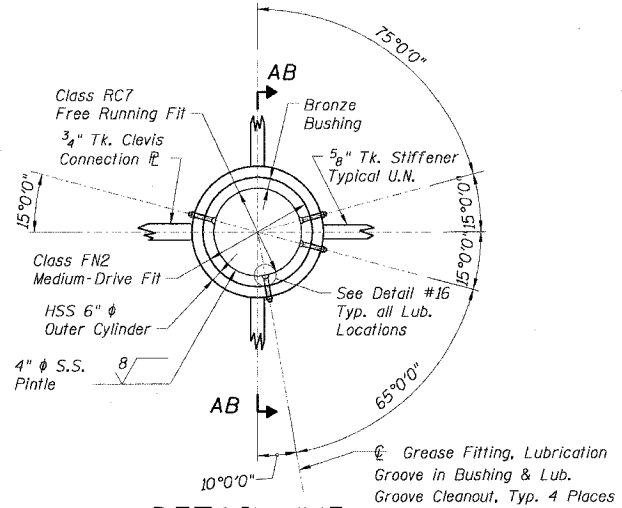
SECTION R-R



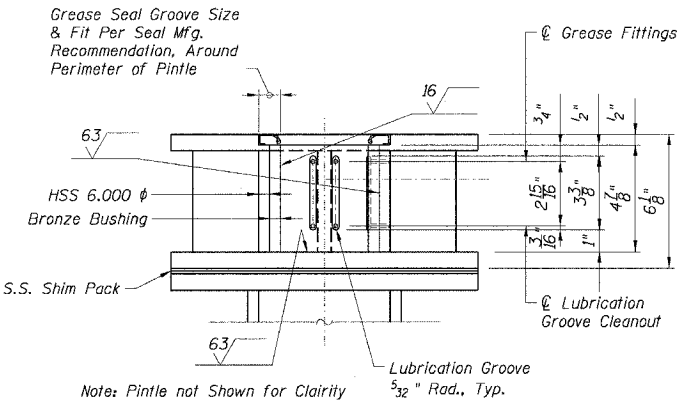
DETAIL #7



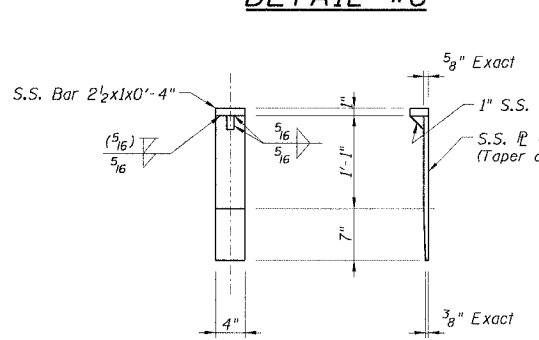
DETAIL #8



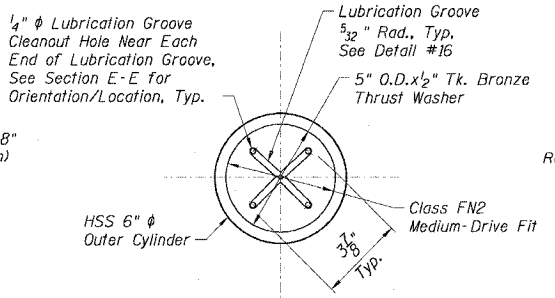
DETAIL #13



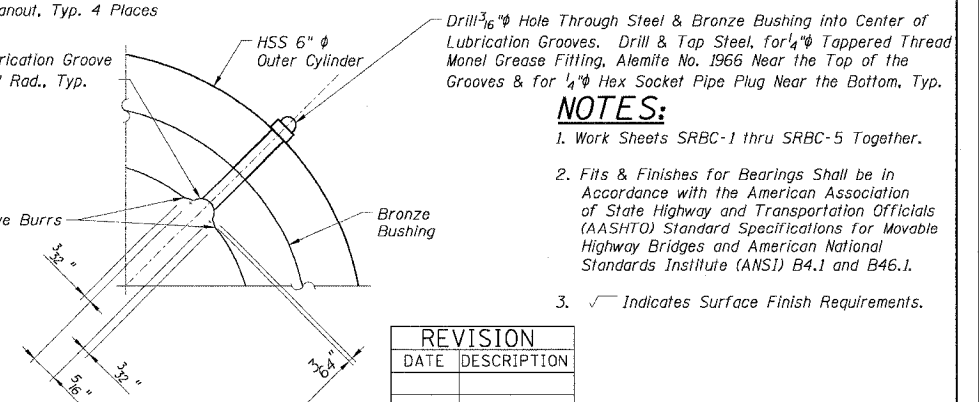
SECTION AB-AB



DETAIL #12



DETAIL #15



DETAIL #16

- NOTES:**
1. Work Sheets SRBC-1 thru SRBC-5 Together.
 2. Fits & Finishes for Bearings Shall be in Accordance with the American Association of State Highway and Transportation Officials (AASHTO) Standard Specifications for Movable Highway Bridges and American National Standards Institute (ANSI) B4.1 and B46.1.
 3. ✓ Indicates Surface Finish Requirements.

REVISION	
DATE	DESCRIPTION

PLANS PREPARED BY:
CTE | AECOM

CTE
303 East Wacker Drive, Suite 600, Chicago, Illinois 60601-6276
T 312.938.0300 F 312.938.1109 www.cte.aecom.com

SCALE: NONE

SRBC-2 FR-416

01/31/2006 08:51:07 AM p:\p00003332\struct\sh1\03s134-SRBC-2.sht

DESIGNED BY: DAS
DRAWN BY: DAS/RJ
CHECKED BY: AAG
CHECKED BY: AAG/DAS