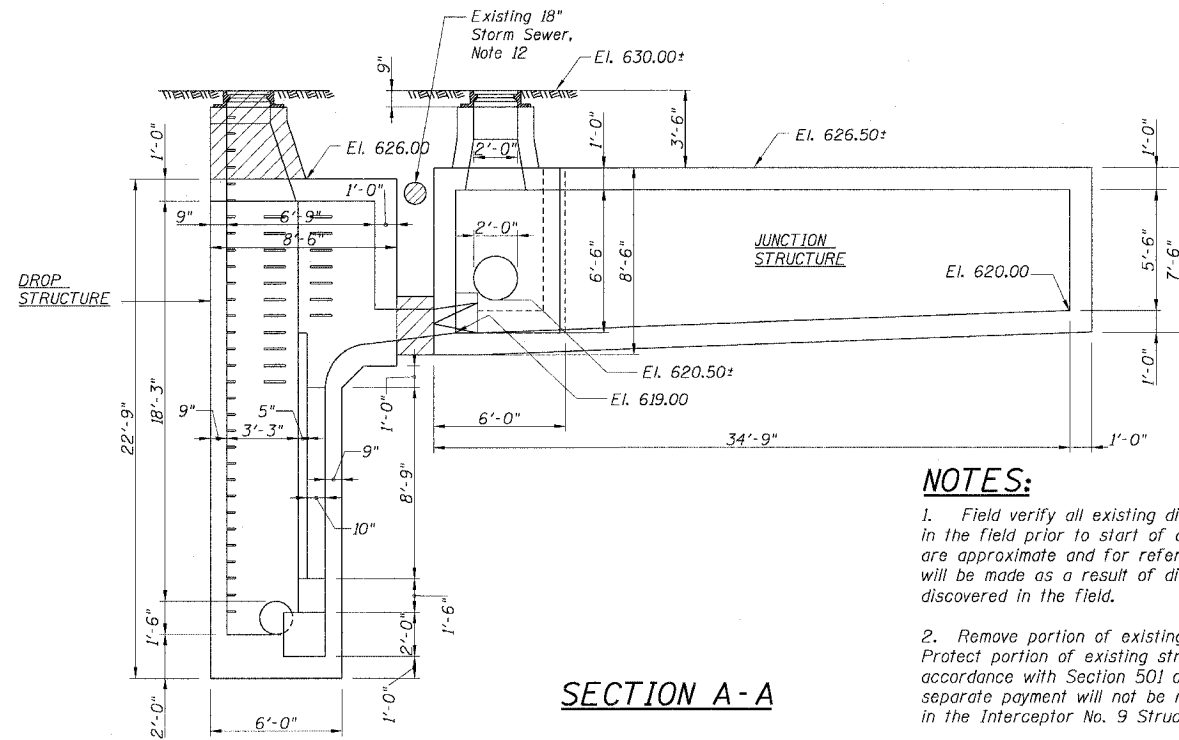


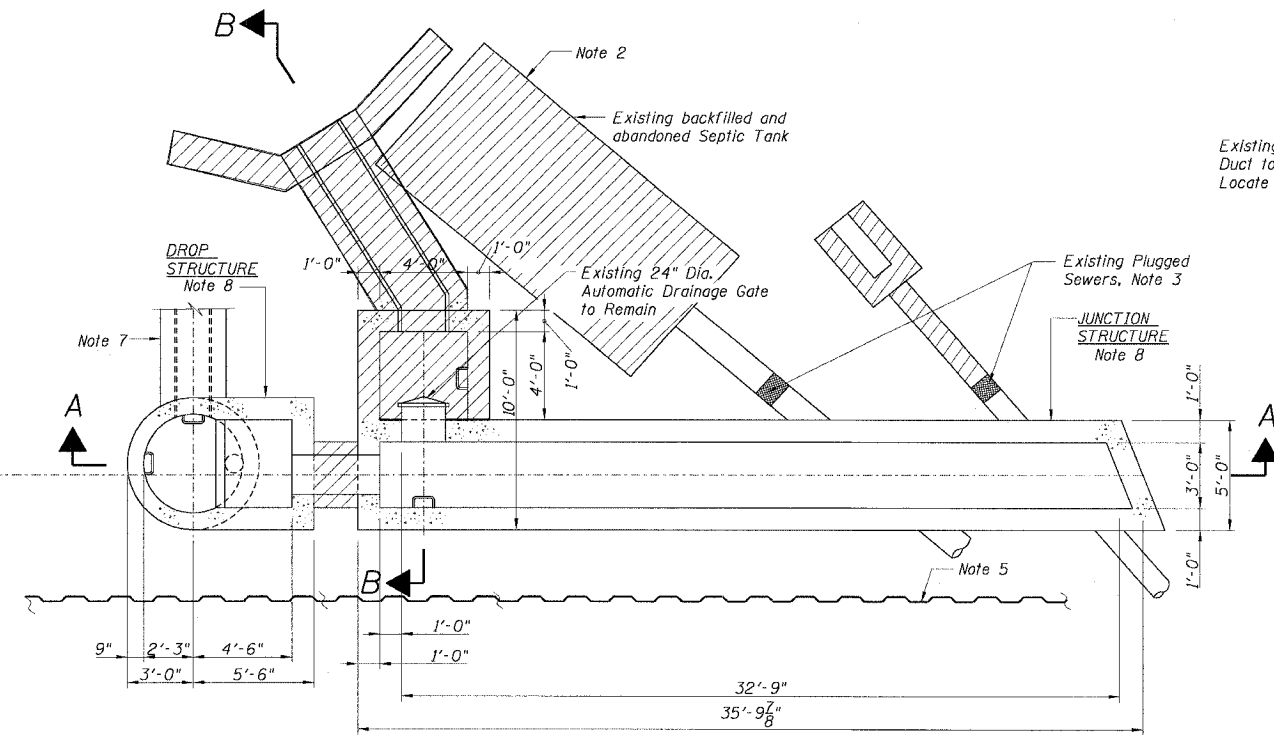
PLAN



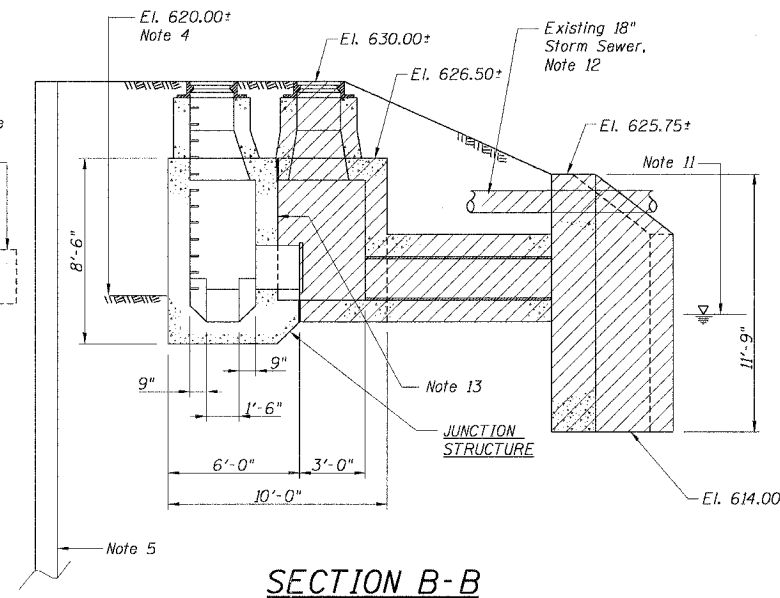
SECTION A-A

NOTES:

1. Field verify all existing dimensions, elevations and conditions in the field prior to start of construction. Dimensions indicated are approximate and for reference only. No additional payment will be made as a result of differing dimensions or elevations discovered in the field.
2. Remove portion of existing MWRDGC structure as shown. Protect portion of existing structure to remain. Removal shall be in accordance with Section 501 of the Standard Specifications except separate payment will not be made for this Work. Cost is included in the Interceptor No. 9 Structure lump sum.
3. Where existing sewer pipes have been plugged, the Contractor shall not disturb the existing plugs. Where these plugs do not interfere with the alignment of the new 12" Storm Sewer. Where interference occurs, the Contractor must remove pipe flush with wall and plug openings watertight. No extra payment will be made for this work. Any leakage observed must be repaired watertight by the Contractor.
4. Prior to start of demolition and excavation on the north side of the structure, the Contractor shall remove earth fill evenly from both the north and south sides of the structure, and maintain excavation dewatering so work can be completed in the dry. Earth shall be removed to approximate Elevation 620.00 on the south side of the existing structure to prevent imposing unbalanced forces on the existing structure, including overturning and sliding.
5. The Contractor must provide a temporary soil retention system to protect the existing adjacent roadway, existing utilities and structures. The Contractor must provide additional temporary earth retention systems, whether or not shown on the drawings, as required for this protection. Refer to the GENERAL NOTES on Drawing SGN-1. This work will not be measured for payment but is included in the Interceptor No. 9 structure lump sum pay item.
6. Backfill evenly both sides of structure to prevent imposing unbalanced lateral soil loads on the existing structure.
7. Field verify location and elevation of existing pipe prior to driving steel sheeting for the new sheet pile flood wall.
8. The actual orientation of the Junction Structure to the Drop Structure is unknown and must be measured in the field prior to fabrication of the isolation gate that is to be inserted between these two structures. Thus, an exploratory dig will be required so that these measurements can be taken and the gate can be fabricated prior to demolition of the pipe connection between the two structures. Temporary bypass pumping will be required in order to remove the pipe segment connecting the Junction Structure to the Drop Structure.



SECTIONAL PLAN



SECTION B-B

NOTES (CONT.):

11. Normal water level Elevation 620.3' (+/-).
12. An existing 18" storm sewer runs between the junction structure and the drop structure. This storm sewer is to be re-routed to the east around the junction structure and the demolition of this pipe is included in the Interceptor No. 9 Structure lump sum pay item. The intercepting manhole and new sewer is paid for separately. No drawings have been found related to this storm sewer. It is unknown whether earth or concrete was placed as backfill between the two structures.
13. Cut existing reinforcing bars 2" back from finished concrete surface and patch surface smooth with non-shrink, non-metallic grout.

BILL OF MATERIAL

Interceptor No. 9 Structure	L. Sum	1
-----------------------------	--------	---

LEGEND:

- Indicates existing concrete to be Demolished.

PLANS PREPARED BY:

CTE | AECOM

CTE
303 East Wacker Drive, Suite 600, Chicago, Illinois 60601-5276
T 312.938.0300 F 312.938.1109 www.cte.aecom.com

REVISION	
DATE	DESCRIPTION

SCALE: NONE

SMWRD-1 FR-416