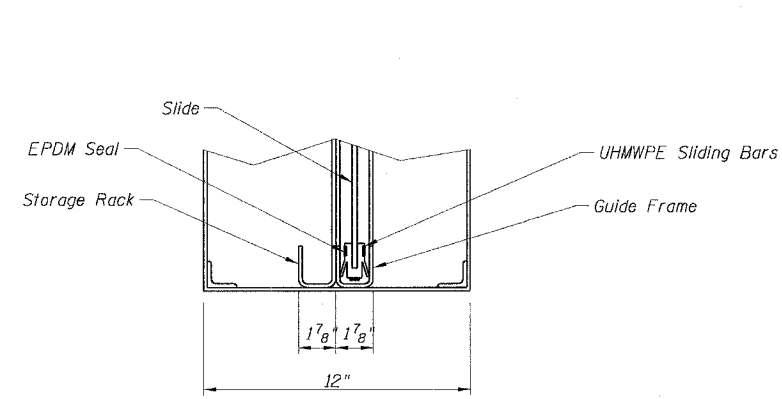


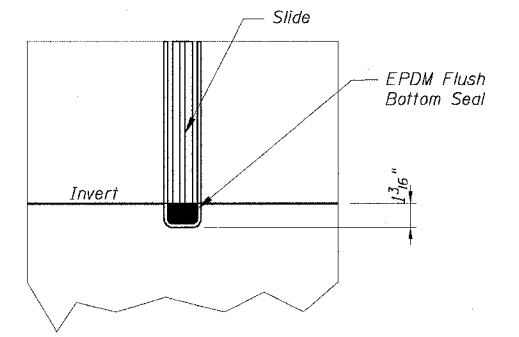
SECTION A-A

SECTION B-B

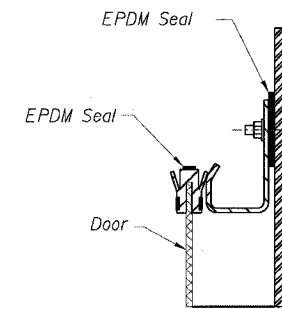
CHANNEL GATES STOP PLATE



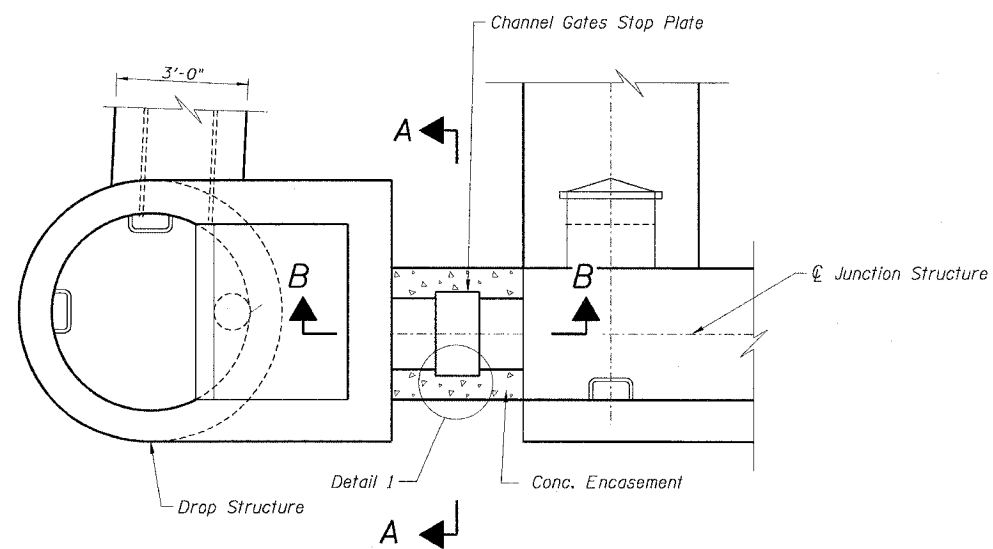
DETAIL 1



DETAIL 2



DETAIL 3



PLAN

NOTE:

*Exact face to face measurement between structures appears to be on a slight skew. Contractor is to confirm this length prior to fabrication of gate.

REVISION	
DATE	DESCRIPTION

PLANS PREPARED BY:

CTE | AECOM

CTE
303 East Wacker Drive, Suite 600, Chicago, Illinois 60601-6276
T 312.938.0300 F 312.938.1109 www.cte.aecom.com

SCALE: NONE

SMWRD-3 FR-416