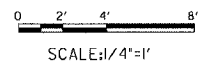
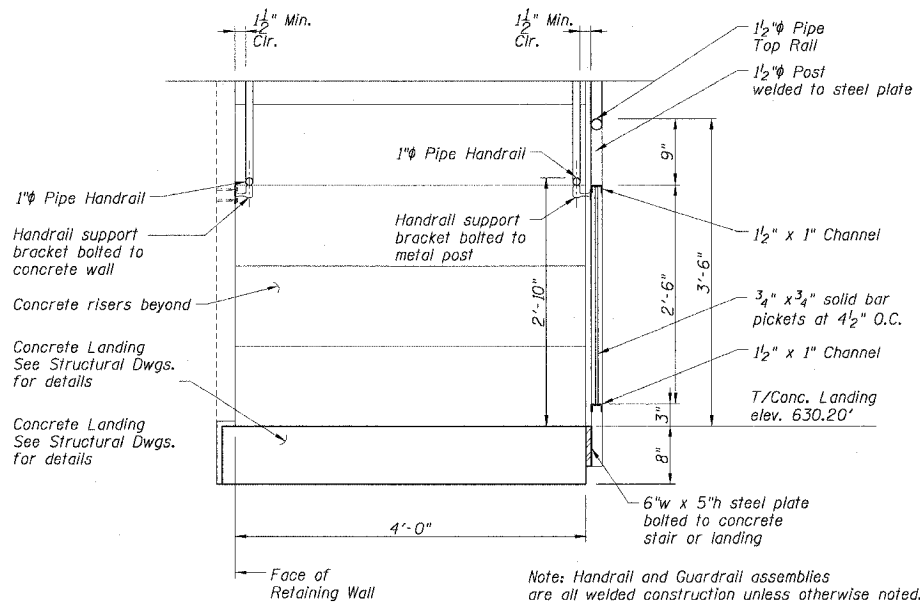


SECTION C-C



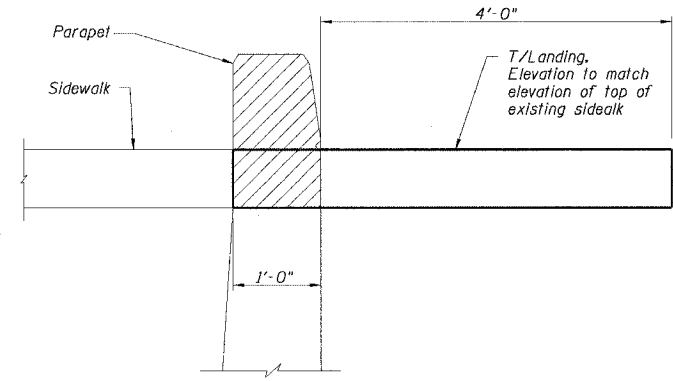
SCALE: 1/4"=1'



DETAIL D



SCALE: 1"=1'

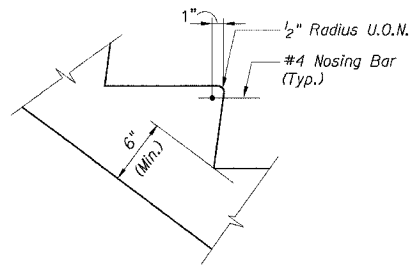


Note: Handrail not shown.
See Detail D and Section B-B for details.

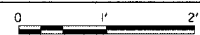
SECTION E-E



SCALE: 1"=1'



TYPICAL STAIR TREAD DETAIL F



SCALE: 1"=1'

NOTES:

1. For Plan and Sections, see Dwg. No. SST-1.
2. Do not cut existing wingwall reinforcing bars when drilling holes for drilled and epoxied reinforcing bars. Locate reinforcing bars prior to drilling holes by use of a pachometer or by chipping concrete away to expose face of reinforcing bars.
3. Use a two part epoxy adhesive, Hit Re 500 Adhesive Anchor System as manufactured by Hilti for anchoring reinforcing bars in holes drilled into the existing wingwall.
4. Do not remove forms, shoring and falsework for stairs until concrete has attained a minimum compressive strength of 4000 psi at 28 days and the concrete has been in place for a minimum of 28 days.

REVISION	
DATE	DESCRIPTION

PLANS PREPARED BY:

CTE | AECOM

CTE
303 East Wacker Drive, Suite 600, Chicago, Illinois 60601-5276
T 312.938.0300 F 312.938.1109 www.cte.aecom.com

SST-2 FR-416