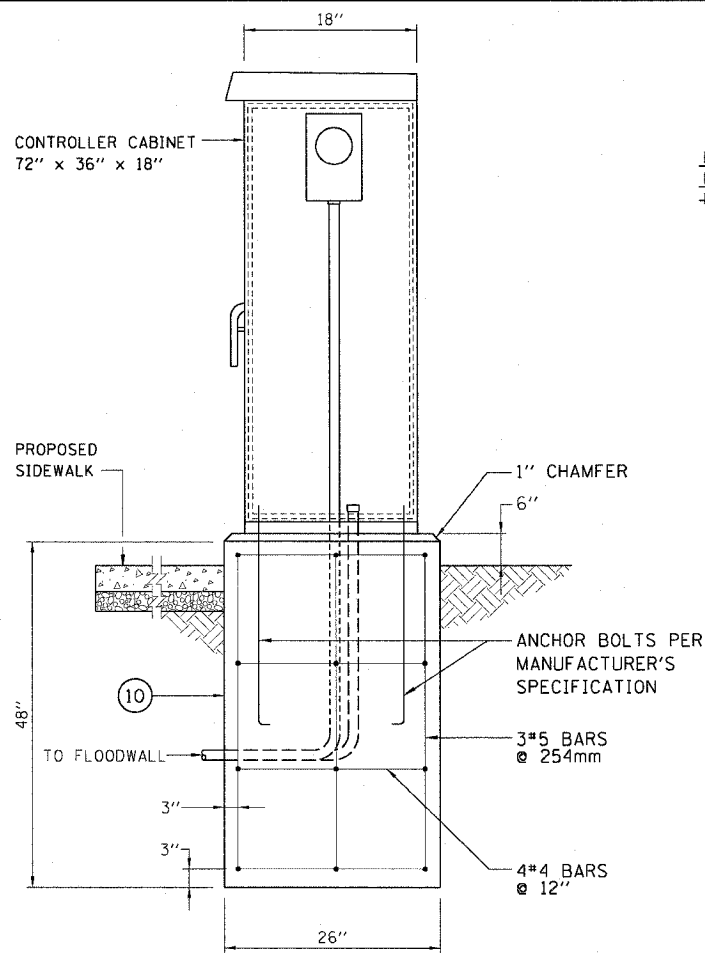
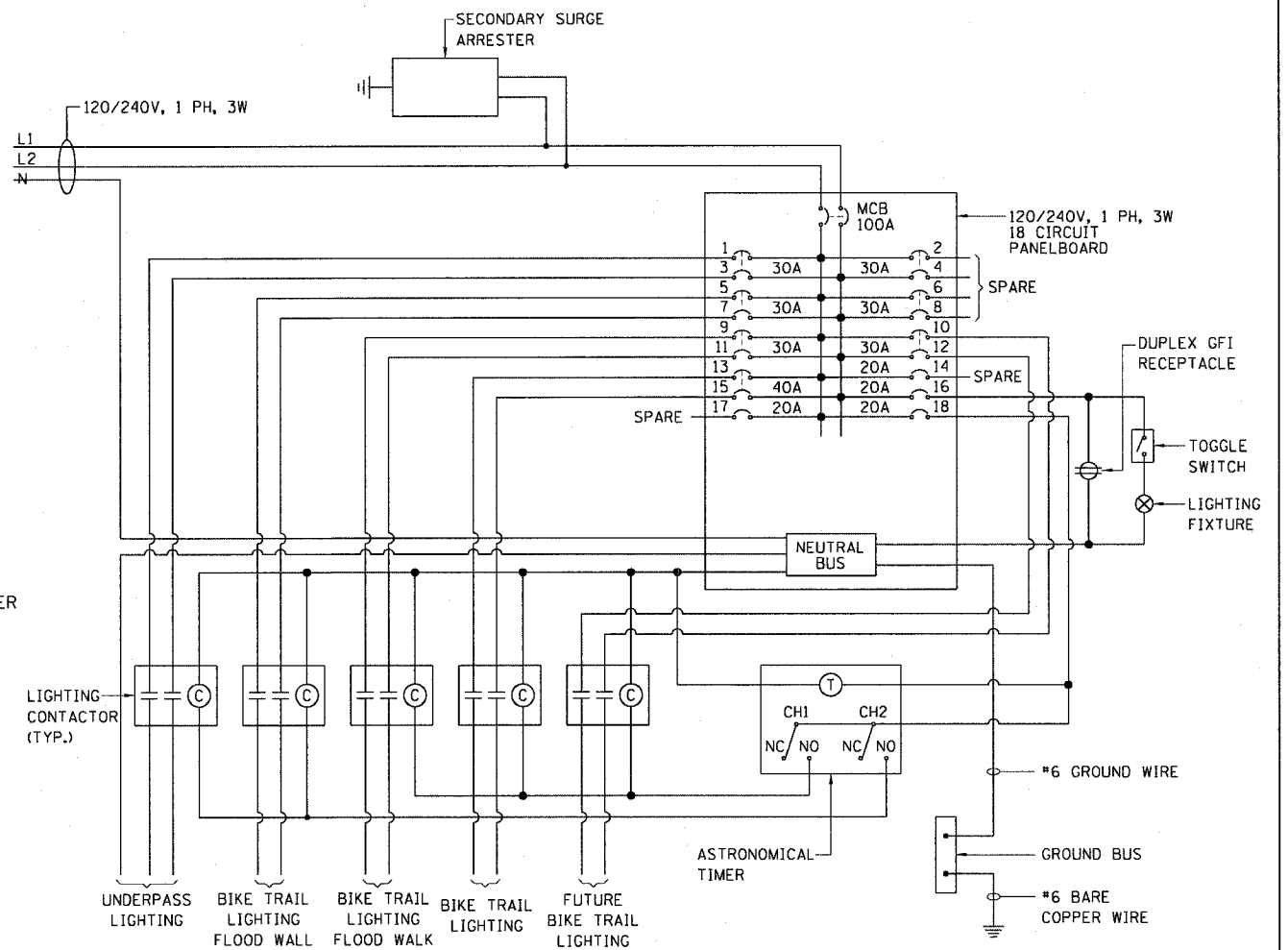


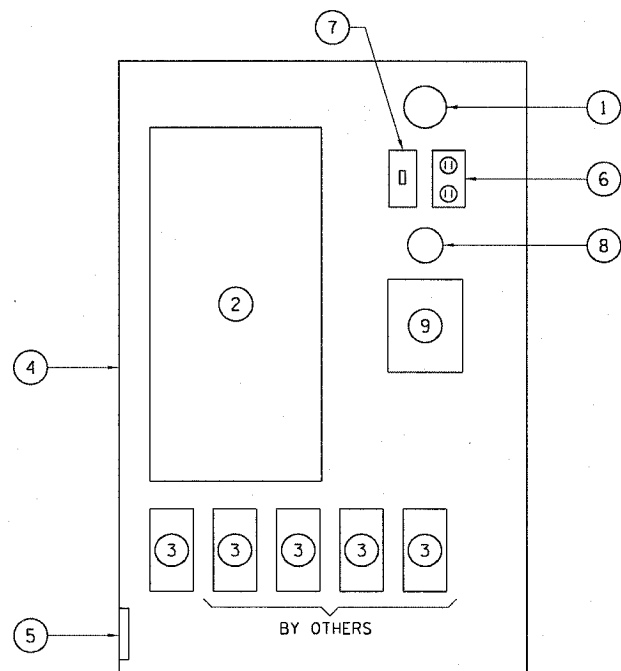
LIGHTING CONTROLLER - FRONT VIEW
NOT TO SCALE



LIGHTING CONTROLLER - SIDE VIEW
NOT TO SCALE



CONTROLLER WIRING SCHEMATIC
NOT TO SCALE



LIGHTING CONTROLLER
EQUIPMENT LAYOUT
NOT TO SCALE

LIGHTING CONTROLLER EQUIPMENT - BILL OF MATERIAL		
ITEM	QUANTITY	DESCRIPTION
1	1	SECONDARY SURGE ARRESTER, 2 POLE, 650 VOLT, IS TO BE MANUFACTURED BY JOSLYN MANUFACTURING COMPANY
2	1	PANELBOARD, 120/240 VOLT, 1 PHASE, 3 WIRE, 100 AMP, 3 POLE, 18 CIRCUITS, IS TO BE MANUFACTURED BY CUTLER-HAMMER PANELBOARD TYPE POW-R-LINE 10
3	1 (4 BY OTHERS)	LIGHTING CONTACTOR, TYPE 8903, SMO 10V02, 2 POLE, 30 AMP CONTACTOR, 120 VOLT CONTROL, IS TO BE MANUFACTURED BY SQUARE D
4	1	BACK PANELBOARD, 65" x 27" x 1/2" MADE OF ARBORON
5	1	GROUND BUS, 1/4" x 1" x 12" LONG MOUNTED ON PANEL WITH LUGS AND SPARE LUGS
6	1	DUPLEX GFI RECEPTACLE, 15 AMP, 120 VOLT, IS TO BE MANUFACTURED BY HUBBELL, CATALOG NUMBER GF5362W
7	1	TOGGLE SWITCH, 120 VOLT, SINGLE PHASE, IS TO BE MANUFACTURED BY HUBBELL, CATALOG NUMBER HBL1201
8	1	PORCELAIN SOCKET WITH 60-WATT INCANDESCENT LIGHT BULB, 120 VOLT, IS TO BE MANUFACTURED BY LEVITON
9	1	ASTRONOMICAL TIMER, MODEL NUMBER DZS200A, IS TO BE MANUFACTURED BY TORK
10	1	REINFORCED CONCRETE FOUNDATION, 48" x 44" x 26", WITH CONDUIT SLEEVES AS SHOWN ON PLANS, AND CONCRETE PAD
11	1	METER BASE

GENERAL NOTES

- SEE SHEET E-1 FOR ELECTRICAL SYMBOLS AND ABBREVIATIONS.
- PROVIDE 4 - 2" LARGE RADIUS RIGID GALVANIZED STEEL CONDUIT ELBOWS.
- SEE SHEET E-5 FOR LIGHTING CONTROLLER LOCATION.

REVISION	
DATE	DESCRIPTION

SCALE: NONE
FR-416

DESIGNED BY: D.E.S.
CHECKED BY: H.A.R.
DRAWN BY: _____

PLANS PREPARED BY:

CTE | AECOM

CTE
303 East Wacker Drive, Suite 600, Chicago, Illinois 60601-5276
T 312.938.0300 F 312.938.1109 www.cte.aecom.com

01/30/2006 07:40:22 PM p:\p60003332\elect\shh\06E-11.shd