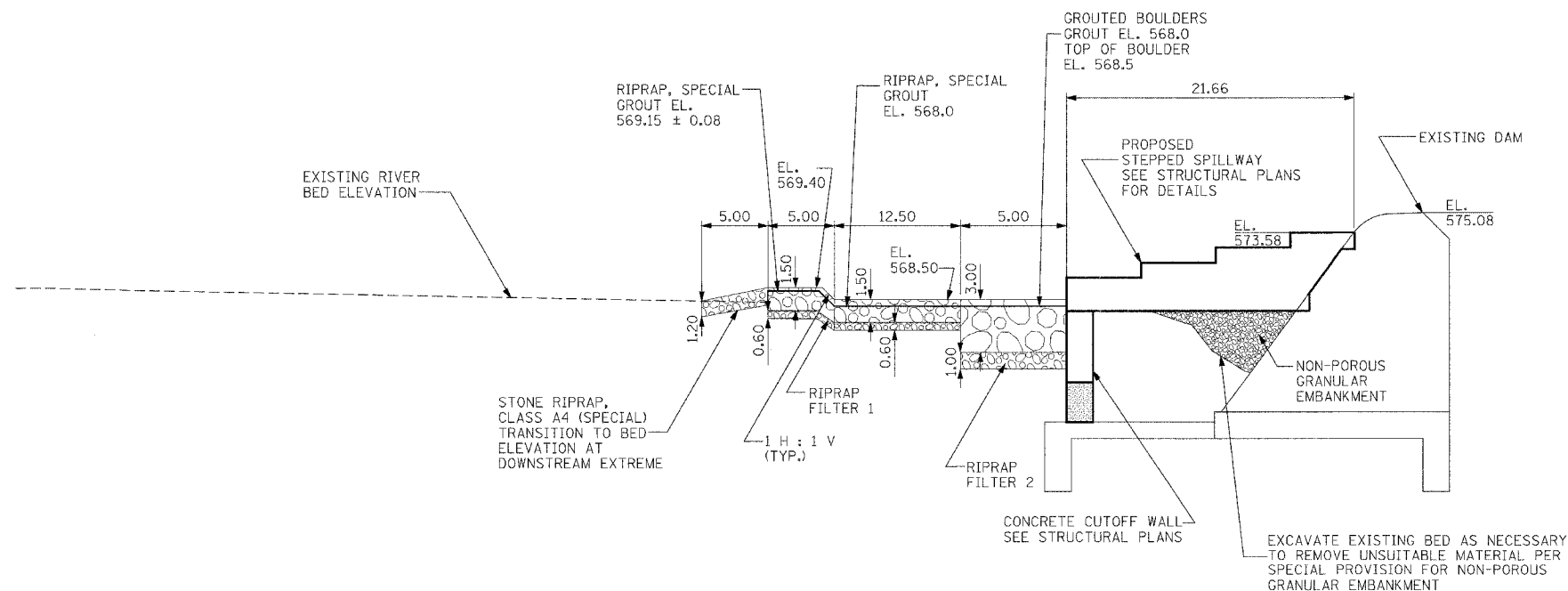
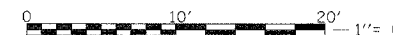


SECTION C-C



SECTION D-D

- NOTE:
- EXCAVATION FOR RIPRAP SHALL BE TO THE INDICATED DEPTHS, OR TO FIRM BEDROCK IF ENCOUNTERED AT A HIGHER ELEVATION
  - RIPRAP FILTER(S) ARE NOT REQUIRED UNDER STONE RIPRAP, (SPECIAL) WHEN PLACED ON FIRM BEDROCK
  - GROUTED BOULDERS AND RIPRAP, SPECIAL REQUIRE RIPRAP FILTER AT ALL LOCATIONS.
  - FOR SECTION C-C, SEE ALSO SHEET 14
  - RIPRAP FILTER(S) ARE NOT REQUIRED UNDER STONE RIPRAP CLASS A4 (SPECIAL) WHEN PLACED ON AN IN SITU BEDDING MATERIAL THAT IS A POROUS MATERIAL WITH SIMILARLY SIZED MATERIAL OR WHEN PLACED DIRECTLY ON FIRM BEDROCK.



User: untitled  
 01/24/2006 10:39:43 AM  
 H:\Dwr\Proj\Impl\Projects\Yorkville\Sheet Fixes\w8\_xsc00oya.dgn  
 Designed By: MD  
 Checked By: RUM  
 Drawn By: MD  
 Checked By: RUM